



SS30

Bi-CMOS IC For Notebook PC Fan Motor Driver

Overview

The SS30 is a 3 phase all wave sensor-less motor driver for notebook PC fans.

Feature

- Direct PWM 3 phase all wave sensor-less motor driver

Specifications

Absolute Maximum Ratings at Ta = 25°C

Parameter	Symbol	Conditions	Ratings	Unit
Power supply voltage	V _{CC} max		6.5	V
Pre-drive voltage (gate voltage)	V _G max		10	V
Output pin current	I _{OUT} max		0.7	A
PWM input pin withstand voltage	V _{PWM} max		V _{CC}	V
FG output pin withstand voltage	V _{FG} max		6.0	V
FG output current	I _{FG} max		5.0	mA
1/2FG output pin withstand voltage	V _{1/2FG} max		6.0	V
1/2FG output current	I _{1/2FG} max		5.0	mA
RD output pin withstand voltage	V _{RD} max		6.0	V
RD output current	I _{RD} max		5.0	mA
Power dissipation 1	P _d max1	Independent IC	0.2	W
Power dissipation 2	P _d max2	Mounted on specified board *1	1.05	W
Operating temperature	T _{opr}	*2	-30 to +95	°C
Storage temperature	T _{stg}		-55 to +150	°C

*1 : When mounted on 40.0mm×50.0mm×0.8mm glass epoxy 4 Layer 2S2P board

*2 : T_j max = 150°C. Use the IC in the range where the temperature of the chip does not exceed T_j = 150°C during operation.

Recommended Operating Conditions at Ta = 25°C

Parameter	Symbol	Conditions	Ratings	Unit
Power supply voltage	V _{CC}		2.2 to 6.0	V

■ Any and all SANYO Semiconductor Co.,Ltd. products described or contained herein are, with regard to "standard application", intended for the use as general electronics equipment (home appliances, AV equipment, communication device, office equipment, industrial equipment etc.). The products mentioned herein shall not be intended for use for any "special application" (medical equipment whose purpose is to sustain life, aerospace instrument, nuclear control device, burning appliances, transportation machine, traffic signal system, safety equipment etc.) that shall require extremely high level of reliability and can directly threaten human lives in case of failure or malfunction of the product or may cause harm to human bodies, nor shall they grant any guarantee thereof. If you should intend to use our products for applications outside the standard applications of our customer who is considering such use and/or outside the scope of our intended standard applications, please consult with us prior to the intended use. If there is no consultation or inquiry before the intended use, our customer shall be solely responsible for the use.

■ Specifications of any and all SANYO Semiconductor Co.,Ltd. products described or contained herein stipulate the performance, characteristics, and functions of the described products in the independent state, and are not guarantees of the performance, characteristics, and functions of the described products as mounted in the customer's products or equipment. To verify symptoms and states that cannot be evaluated in an independent device, the customer should always evaluate and test devices mounted in the customer's products or equipment.

SS30

Electrical Characteristics $T_a = 25^\circ\text{C}$, $V_{CC} = 5\text{V}$, unless specifically noted

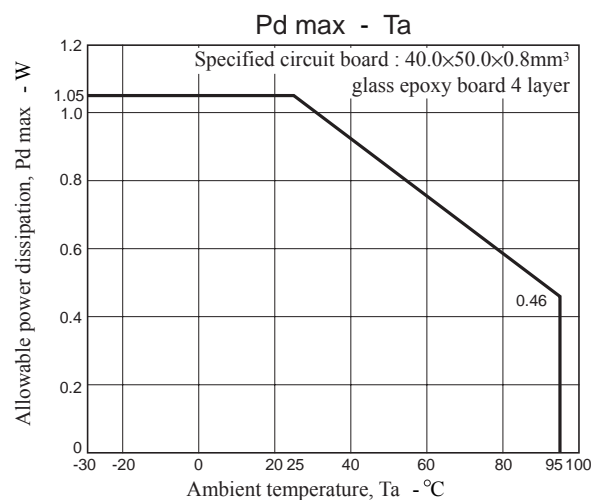
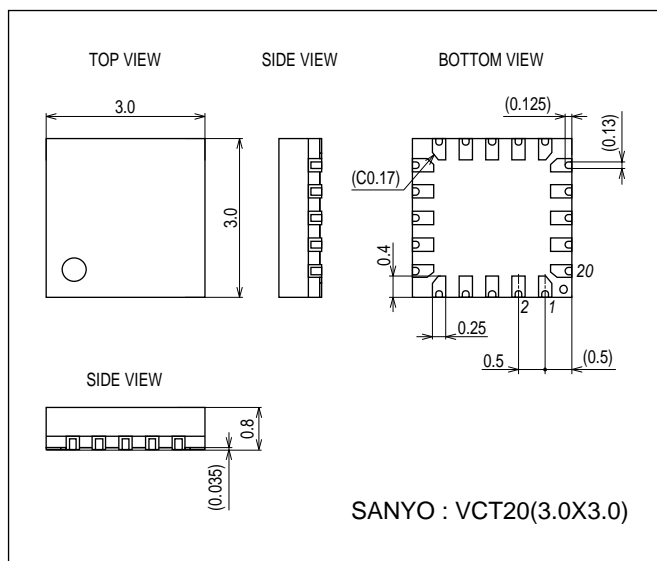
Parameter	Symbol	Conditions	Ratings			Unit
			min	typ	max	
Power supply current 1	I_{CC1}	PWM pin = V_{CC}		1.8	2.5	mA
Power supply current 2	I_{CC2}	PWM pin = 0V		20	50	μA
Charge pump output						
Output voltage	V_G			9.8		V
Output block						
Source	$R_{on} (H)$	$I_O = 0.5\text{A}$, $V_G = 9.5\text{V}$		0.6	1.0	Ω
Sink	$R_{on} (L)$	$I_O = 0.5\text{A}$, $V_{CC} = 5.0\text{V}$		0.6	1.0	Ω
Source + sink	$R_{on} (H+L)$	$I_O = 0.5\text{A}$, $V_{CC} = 5\text{V}$, $V_G = 9.5\text{V}$		1.2	2	Ω
Startup oscillation pin						
OSC pin charge current	I_{OSC1}			-2.5		μA
OSC pin discharge current	I_{OSC2}			2.5		μA
PWM input pin						
PWM pin high-level input voltage	V_{PWMH}		$V_{CC} \times 0.8$		V_{CC}	V
PWM pin low-level input voltage	V_{PWML}		0		$V_{CC} \times 0.2$	V
PWM pin current	I_{PWM}	PWM pin = 0V			-50	μA
PWM pin input frequency	f_{PWM}		20	25	50	kHz
FG, 1/2FG, RD output pin						
FG, 1/2FG, RD output pin low-level voltage	V_{FG} $V_{1/2FG}$ V_{RD}	When $I_O = 0.5\text{mA}$		0.1	0.2	V
Current limiter circuit						
Limiter voltage	V_{Rf}	$R_F = 1\Omega$	0.225	0.25	0.275	V
Constraint protection circuit						
Constraint protection detection time	R_{DT1}			0.5	1.0	s
Constraint protection release time	R_{DT2}			5		s
Thermal protection circuit						
Thermal protection circuit operating temperature	TSD	Design target *	150	180		$^\circ\text{C}$
Temperature hysteresis width	ΔTSD	Design target		30		$^\circ\text{C}$

* : Design target value and no measurement is made. The thermal protection circuit is incorporated to protect the IC from burnout or thermal destruction. Since it operates outside the IC's guaranteed operating range, the customer's thermal design should be performed so that the thermal protection circuit will not be activated when the fan is running under normal operating conditions.

Package Dimensions

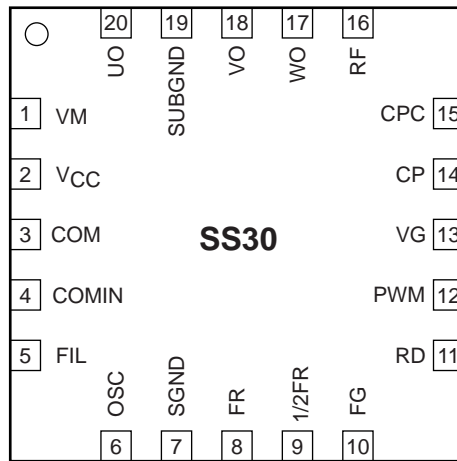
unit : mm (typ)

3368



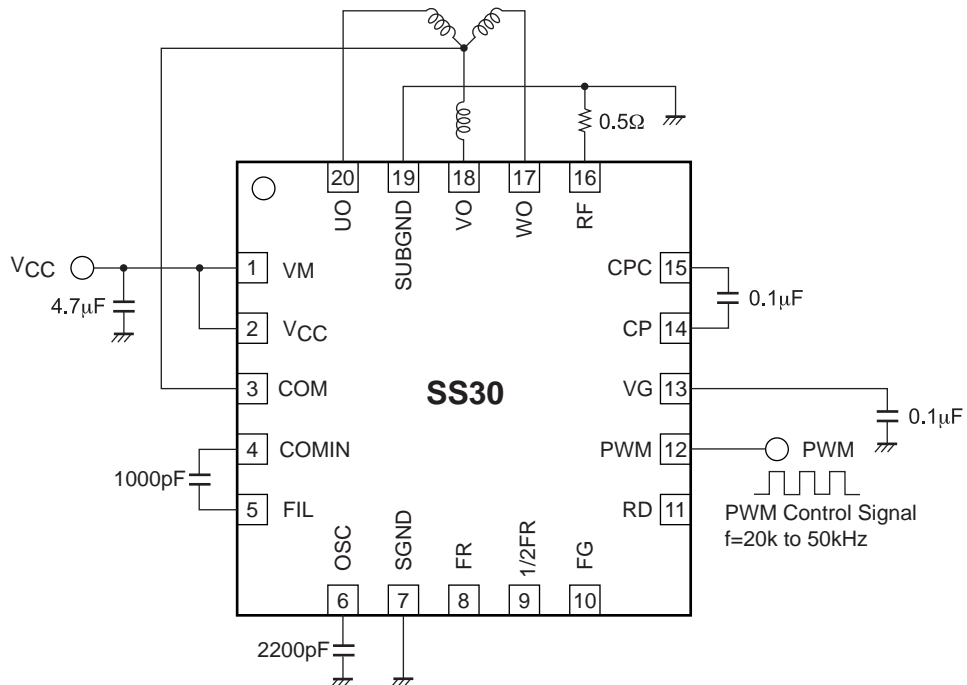
SS30

Pin Assignment

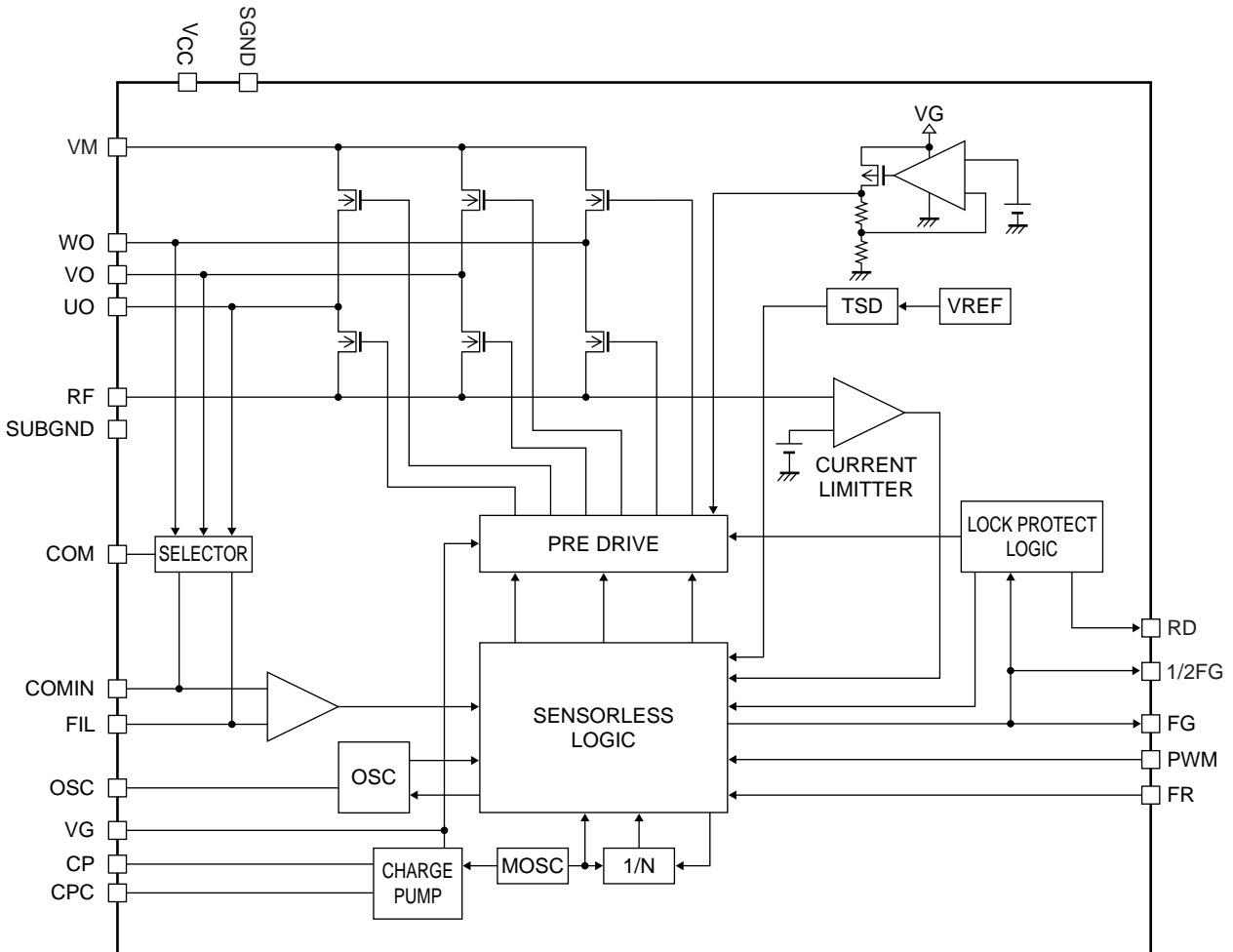


Top view

Application Circuit Example



Block Diagram



Pin Functions

Pin No.	Pin name	Function	Equivalent circuit
1	VM	Power supply for the IC and motor. It is short-circuited and uses it with power supply small signal pin V _{CC} (pin 2). A capacitor must be connected between this pin and ground.	
20	UO	Output pins.	
18	VO	Connect the motor coil.	
17	WO	Connect the motor coil.	
16	RF	Output current detection. The drive current is detected by connecting a resistor between this pin and ground.	
2	V _{CC}	Power supply for the IC and motor. A capacitor must be connected between this pin and ground.	
3	COM	Motor middle point connection.	
4	COMIN	Motor position detection comparator filter pin. It is short-circuited and uses it with motor power supply pin VM (pin 1). A capacitor must be connected between this pin and the FIL pin (pin 5).	
5	FIL	Motor position detection comparator filter pin. A capacitor must be connected between this pin and the COMIN pin (pin 4).	

Continued on next page.

Continued from preceding page.

Pin No.	Pin name	Function	Equivalent circuit
6	OSC	Motor startup frequency setting. A capacitor must be connected between this pin and ground. The startup frequency is adjusted by controlling the charge/discharge current ($\pm 2.5\mu\text{A}$) and the capacitance of the capacitor.	
7	SGND	Ground for IC. It is short-circuited and uses it with pin SUBGND (pin 19).	
8	F/R	Motor rotation direction switching. A high-level input causes current to flow into the motor in the order of U, V, and W and a low-level input in the order of U, W, and V. Changing the order of current application turns the motor in the opposite direction.	
9	1/2FG	FG pulse output. This pin outputs 1/2 Hall sensor system equivalent pulse signal.	
10	FG	FG pulse output. This pin outputs a Hall sensor system equivalent pulse signal.	
11	RD	Motor lock detection output pin. When the motor is locked, "H" is output.	
12	PWM	PWM signal input. A high-level input turns on the output transistors. A low-level input turns off the output transistors and motor stops. The motor speed is set by controlling the duty cycle of the input PWM signal. The motor runs at full speed when this pin is held open.	
13	VG	Charge pump step-up output. A capacitor must be connected between this pin and ground.	
14	CP	Charge pump step-up pulse output pin. A capacitor must be connected between this pin and the CPC pin (pin 15).	
15	CPC	Charge pump step-up pin. A capacitor must be connected between this pin and the CP pin (pin 14).	
19	SUBGND	SUBGND pin for IC. It is short-circuited and uses it with pin SGND (pin 7).	

SS30 Functional Description and Notes on External Components

Read the following notes before designing driver circuits using the SS30 to design a system with fully satisfactory characteristics.

1. Output drive circuit and speed control methods

The SS30 adopts the synchronous commutation PWM drive method to minimize power loss in the output circuits. Low on-resistance DMOS devices (total high and low side on-resistance of output block: 1.2Ω, typical) are used as the output transistors.

The speed control of the driver is performed with an externally input PWM signal.

PWM controls the speed by performing switching in accordance with the duty cycle that is input to the PWM pin (pin 12). The output transistor is on when a high-level voltage is input to the PWM pin, and off when a low-level voltage is input. When the motor is used with the PWM pin open, the built-in resistor causes the PWM pin to change to high-level voltage and the motor speed rises to full speed. When the PWM pin is fixed at low-level voltage, the motor decelerates, and after the motor stops it enters "Power Saving Mode."

2. Soft Switching Circuit

This IC adopts variable duty soft switching to minimize the motor drive noise.

3. Current limiter circuit

The current limiter circuit limits the output current peak value to a level determined by the equation $I = V_{RF}/R_F$ ($V_{RF} = 0.25V$ typical). The current limiter circuit detects the peak current of the output transistors at the RF pin (pin 16) and turns off the transistor of the PWM phase.

4. OSC circuit

The OSC pin (pin 6) is an oscillation pin provided for sensor-less motor startup commutation. When a capacitor is connected between the OSC pin and ground, the OSC pin starts self-oscillation, and this becomes the startup frequency. The oscillator frequency can be adjusted by changing the value of the external capacitor (i.e. reducing the value of the capacitor increases the startup frequency).

It is necessary to select a value of the capacitor that provides the optimal startup characteristics.

Please confirm the operation when starting without fail, and adjust the constant again when you change the characteristic of the motor shape change and the motor (coil resistance, number of rolling lines, and magnetization, etc.).

5. Position Detector Comparator Circuit for Rotor

The position detection comparator circuit for the rotor is a comparator for detecting rotor positional information with the back EMF signal generated when the motor rotates. The IC determines the timing at which the output block applies current to the motor based on the position information obtained here. Insert a capacitor (between 1,000 and 10,000pF: Reference value) between the COMIN pin (pin 4) and FIL (pin 5) to prevent any motor startup miss-operation that is caused by the comparator input noise.

Please confirm the operation when starting without fail, and adjust the constant again when you change the motor shape change and the motor characteristic (coil resistance, number of rolling lines, and magnetization, etc.) as well as the capacitor of the OSC pin.

6. FG, 1/2FG Output Circuit

The FG pin (pin 10) and the 1/2FG pin (pin9) is the FG output pin.

The FG pin outputs the pulse of one hall corresponding, and the 1/2FG pin outputs the pulse of 1/2 hall corresponding.

Please use the pull-up resistor putting it because the FG pin and the 1/2FG pin are the open drain output compositions.

Please connect the power supply where the pull-up resistor is connected with the power supply on the side where the FG signal is input. I will recommend about 10kΩ as resistance of the pull-up resistor.

7. RD (Lock detection) Output Circuit

The RD pin and (pin 11) are the RD output pin. Please use the pull-up resistor putting it because the RD pin is an open drain output composition. Please connect the power supply where the pull-up resistor is connected with the power supply on the side where the RD signal is input. About 10kΩ is recommended as resistance of the pull-up resistor.

8. Charge Pump Circuit

The SS30 n-channel DMOS output structure allows it to provide a charge pump based voltage step-up circuit. A voltage 2 times the VCC voltage can be acquired by inserting capacitors (recommended value: 0.1 μ F or larger) between the CP pin (pin 14) and CPC pin (pin 15). Note that this circuit is designed so that the stepped-up voltage (VG) is clamped at about 9.5VDC. A larger capacitor must be used between the VG pin (pin 12) and ground if the ripple on the stepped-up voltage (VG) results in VG exceeding 10V (VG max).

Observe the following points if the VG voltage is supplied from external circuits.

- (1) The VG voltage supplied from the external circuits must not exceed the absolute maximum rating VG max.
- (2) The capacitors between the CP pin (pin 14) and CPC pin (pin 15) are not required.
- (3) Observe the correct sequence when turning the power supply on. Apply the VG voltage after first turning the VCC voltage on, and cancel the VG voltage application before turning the VCC off.
- (4) There is an IC-internal diode between the VCC and VG pins. Therefore, supply voltages such that VCC > VG must never be applied to this IC.

9. Notes on PCB Pattern Design

The SS30 is a system driver IC implemented using the Bi-CMOS process; the IC chip includes bipolar circuits, MOS logic circuits, and MOS drive circuits. As a result, extreme care is required with respect to the pattern layout when designing application circuits.

(1) SGND/SUBGND and VCC/VM wiring layout

Please connect the SGND pin and the SUBGND pin by the beeline. Please connect the VCC pin and the VM pin by the beeline similarly.

Insert a capacitor (recommended value: 1 μ F or larger) as near as possible to the pin between the power pin VCC (pin 1)/VM (pin 2) and SGND pin (pin 7).

(2) Positioning the external components

The external components that are connected to SGND (pin 7) must be connected with lines that are as short as possible.

External components connected between IC pins must be placed as near to the pins as possible.

- SANYO Semiconductor Co.,Ltd. assumes no responsibility for equipment failures that result from using products at values that exceed, even momentarily, rated values (such as maximum ratings, operating condition ranges, or other parameters) listed in products specifications of any and all SANYO Semiconductor Co.,Ltd. products described or contained herein.
- SANYO Semiconductor Co.,Ltd. strives to supply high-quality high-reliability products, however, any and all semiconductor products fail or malfunction with some probability. It is possible that these probabilistic failures or malfunction could give rise to accidents or events that could endanger human lives, trouble that could give rise to smoke or fire, or accidents that could cause damage to other property. When designing equipment, adopt safety measures so that these kinds of accidents or events cannot occur. Such measures include but are not limited to protective circuits and error prevention circuits for safe design, redundant design, and structural design.
- In the event that any or all SANYO Semiconductor Co.,Ltd. products described or contained herein are controlled under any of applicable local export control laws and regulations, such products may require the export license from the authorities concerned in accordance with the above law.
- No part of this publication may be reproduced or transmitted in any form or by any means, electronic or mechanical, including photocopying and recording, or any information storage or retrieval system, or otherwise, without the prior written consent of SANYO Semiconductor Co.,Ltd.
- Any and all information described or contained herein are subject to change without notice due to product/technology improvement, etc. When designing equipment, refer to the "Delivery Specification" for the SANYO Semiconductor Co.,Ltd. product that you intend to use.
- Information (including circuit diagrams and circuit parameters) herein is for example only; it is not guaranteed for volume production.
- Upon using the technical information or products described herein, neither warranty nor license shall be granted with regard to intellectual property rights or any other rights of SANYO Semiconductor Co.,Ltd. or any third party. SANYO Semiconductor Co.,Ltd. shall not be liable for any claim or suits with regard to a third party's intellectual property rights which has resulted from the use of the technical information and products mentioned above.

This catalog provides information as of December, 2010. Specifications and information herein are subject to change without notice.