

MOVING COIL TYPE ALARMING INDICATOR

DATA SHEET

PAK

The moving coil type alarming indicator is designed to receive various input signals such as FC series signals. DC voltage or current, and signals from thermocouples or resistance bulbs.

FEATURES

1. Direct connection of input signals.
2. High input impedance (1MΩ for 1 to 5V DC input).
No circuit adjusting resistor is required for thermocouple input.
3. Compact and lightweight.



SPECIFICATIONS

Input signal:

- FC series signal
 - A; 1 to 5V DC
 - B; 4 to 20mA DC
- DC current
 - D; 0 to 100μA 200mA DC
- DC voltage
 - E; 0 to 10mV 5V DC
- Thermocouple
 - F; 0 to 10mV DC or more
(with reference junction compensator)
(Upper limit overshoot burnout circuit is available on request)
 - G; 10mV DC span or more
(with reference junction compensator)
(Upper limit overshoot burnout circuit is available on request)
- Resistance bulb
 - H; JPt100Ω
50°C span or more, 3-wire type
 - W; Pt100Ω
50°C span or more, 3-wire type
- Ring tube (resistance span 14Ω)
- Slide resistant (resistance span 100Ω)
 - J; 3-wire type
 - K; 2-wire type (with adjusting resistor)
- Opening angle transmitter (resistance span 100Ω)
 - L; 3-wire type (zero point and span adjustable)

Input resistance and allowable input signal source resistance:

Input signal		Input resistance	Allowable input signal source resistance
Voltage	1 to 5V	1MΩ	2kΩ or less
	Others	40kΩ to 1MΩ	100Ω or less
Current	4 to 20mA	5Ω	—
	Others	1 to 100Ω	—
Thermocouple		40 to 600kΩ	100Ω or less 50Ω or less when burnout circuit
Resistance		—	6Ω or less per wire

Allowance: ±1.0% of full scale

Scale length: 100mm

Response time: Within 3 sec (time required for stabilizing the indicator pointer within ±1.5% after applying input corresponding to 2/3 (approx.) of full scale)

Power supply: 100V ± 10% AC, 50/60Hz
*200V ± 10% AC, 50/60Hz, or
*24V^{+15%}_{-10%} AC, 50/60Hz

Power consumption: Approx. 4.5VA max.

Ambient temperature: -10 to +50°C

Ambient humidity: 30 to 90%RH

Enclosure: Steel case

External dimensions (H × W × D): 48 × 144 × 275mm

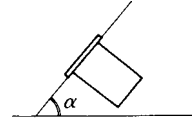
Mass(weight): Approx. 2kg

Finish color: Munsell 7.5BG 3.2/0.8 or equivalent

Alarm device: Upper limit (H or A), lower limit (L or B)
 Upper and lower limits (K or C with one common contact)
 H, L, K; Excitation alarm
 A, B, C; Non-excitation alarm
 Setting accuracy; $\pm 1.0\%$
 Contact; ON alarm (OFF alarm is available on request)
 Contact capacity; 100V AC 0.3A/24V DC 0.2A (resistance load)
 Alarm indicator lamp (available on request); Alarm signal displayed with LED mounted on indicator panel

Scope of delivery : Indicator and mounting bracket
Mounting method:

Panel flush mounting
 Standard;
 Horizontal mounting on vertical panel
 Non-standard;
 Tilted mounting, vertical mounting
 Specify $\angle\alpha$ for tilted mounting

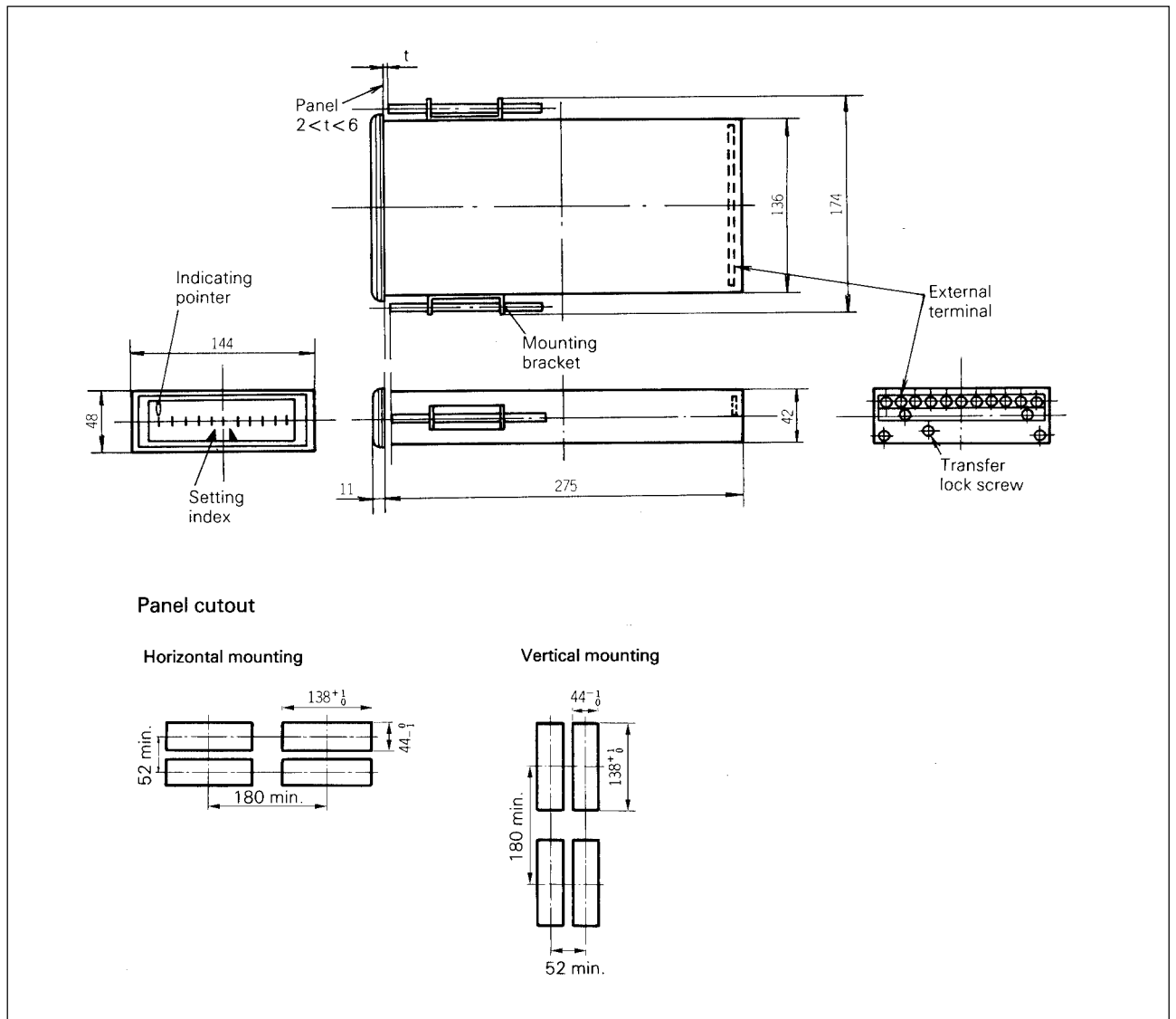


CODE SYMBOLS

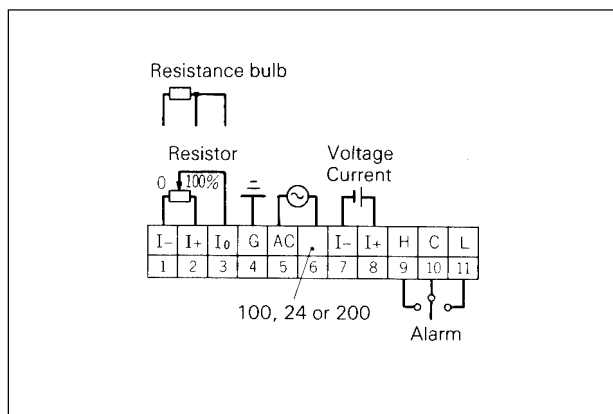
1	2	3	4	5	6	7	8	9	10	Description
P	A	K						2	-	
A										Input signal 1 to 5V DC
B										4 to 20mA DC
D										0 to 100 μ A.....200mA DC
E										0 to 10mV.....5V DC
F										0 to 10mV DC or more (with reference junction compensator)
G										10mV DC span or more (with reference junction compensator)
H										Resistance bulb JPt100 Ω 50 $^{\circ}$ C span or more, 3-wire type
W										Resistance bulb Pt100 Ω 50 $^{\circ}$ C span or more, 3-wire type
J										Ring tube, slide resistant, 3-wire type
K										Ring tube, slide resistant, 2-wire type (with circuit adjusting resistor)
L										Opening angle indicator (resistance 100 Ω , zero point and span adjustable)
* Z										Other inputs
H										Alarm device Upper limit Lower limit Upper and lower limits Excitation alarm (ON alarm)
L										
K										
* A										Non-excitation alarm (ON alarm) Upper limit Lower limit Upper and lower limits
* B										
* C										
* 1										Power supply 24V AC 50/60Hz
3										100V AC 50/60Hz
* 5										200V AC 50/60Hz
0										Application For general use
3										For connection zener barrier: Specify "3" only when zener barrier (PWZB3 or PMZB4) is to be connected and thermocouple or resistance bulb is used as input source.
										Mounting method 1 Horizontal mounting
									* 2	Vertical mounting
										Alarm indicator lamp 0 None
									* 1	Provided

Notes: Symbols of resistance bulbs are as follows.
 JPt100 Previous JIS standard
 Pt100 New JIS standard

OUTLINE DIAGRAM (Unit : mm)



CONNECTION DIAGRAMS



ORDERING INFORMATION

1. Product name
2. Code symbols
3. Input
4. Scale
5. Alarm device and alarm indicator lamp
(whether required or not)
6. Power supply
7. Application
8. Other necessary information

⚠ Caution on Safety

• Asterisk (*) items; Non-standard

*Before using this product, be sure to read its instruction manual in advance.

Fuji Electric Systems Co., Ltd.

Head Office

Gate City Ohsaki, East Tower, 11-2, Osaki 1-chome,
Shinagawa-ku, Tokyo 141-0032, Japan

<http://www.fesys.co.jp/eng>

Instrumentation Div.

International Sales Dept.

No.1, Fuji-machi, Hino-city, Tokyo, 191-8502 Japan

Phone: 81-42-585-6201, 6202 Fax: 81-42-585-6187

<http://www.fic-net.jp/eng>

Information in this catalog is subject to change without notice.

Printed in Japan