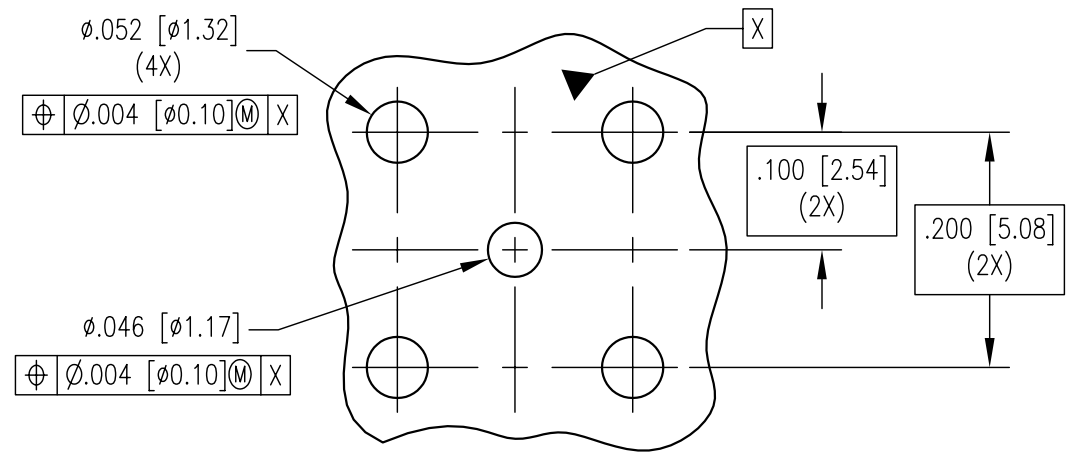
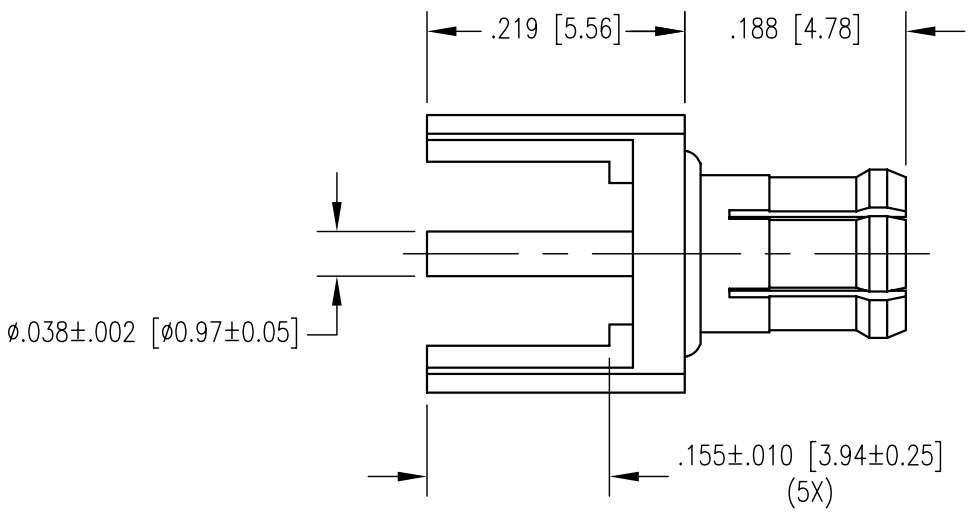
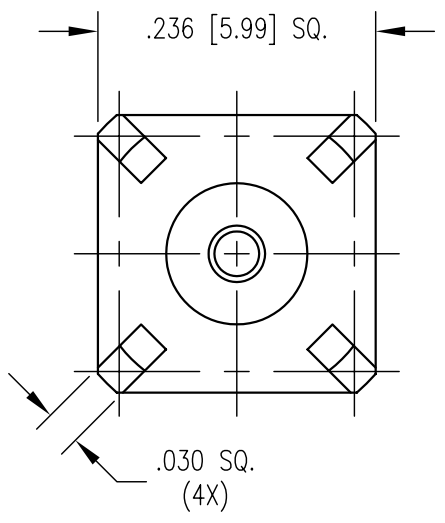


REV	DESCRIPTION	BY DATE	APPD
A	RELEASED PER ECR 7773	JED 7/15/03	JED



RECOMMENDED PCB HOLE PATTERN

- NOTES:
- MATERIALS:  
 OUTER CONTACT: BERYLLIUM COPPER PER ASTM B196  
 BODY AND CENTER CONTACT: BRASS PER ASTM B16  
 INSULATOR: TEFLON PER ASTM D1710
  - FINISH:  
 BODY AND OUTER CONTACT: .000015 MIN. GOLD PER MIL-G-45204 OVER  
 .000100 MIN. COPPER PER MIL-C-14550  
 CENTER CONTACT: .000030 MIN. GOLD PER MIL-G-45204 OVER  
 .000100 MIN. COPPER PER MIL-C-14550
  - THIS CONNECTOR CONFORMS TO THE REQUIREMENTS LISTED IN CECC 22 220.

PER ASME Y14.5M-1994 UNLESS OTHERWISE SPECIFIED: DIMENSIONS ARE IN INCHES [MM] TOLERANCES: DECIMALS .XX ± .01 [0.254] .XXX ± .005 [0.127] ANGLES ± 2° SCALE: 6:1		<b>NORTHROP GRUMMAN</b> Winchester Electronics 62 Barnes Industrial Road North Wallingford, CT 06492	
<b>CUSTOMER DRAWING</b>		TITLE MCX STRAIGHT PCB MOUNT JACK	
DRAWN JED DATE 6/19/03	CHECKED CWB DATE 6/20/03	APPROVED JEM DATE 6/20/03	APPROVED MC DATE 6/20/03
A SD450-060-0046J		SHT. 1 OF 1	REV. A