

**PLEASE CHECK WWW.MOLEX.COM FOR LATEST PART INFORMATION**

**Part Number:** [0496260382](#)  
**Status:** **Active**  
**Description:** 4.20mm (.165") Wire-to-Wire Lower TPA™ for Male Housing, 3 Circuits

**Documents:**

[Drawing \(PDF\)](#) [RoHS Certificate of Compliance \(PDF\)](#)

**General**

Product Family	Crimp Housings
Series	<a href="#">49626</a>
Product Name	N/A

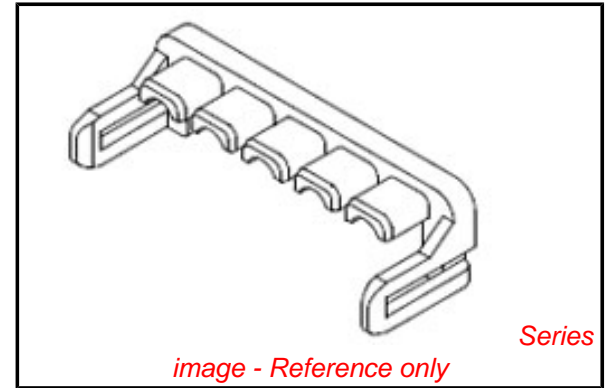
**Physical**

Circuits (maximum)	3
Circuits Detail	3
Color - Resin	Red
Gender	Male
Glow-Wire Compliant	No
Keying to Mating Part	None
Lock to Mating Part	Yes
Material - Resin	Nylon
Number of Rows	1
Packaging Type	Bag
Panel Mount	No
Pitch - Mating Interface (in)	0.165 In
Pitch - Mating Interface (mm)	4.20 mm
Polarized to Mating Part	Yes
Stackable	No
Temperature Range - Operating	-40°C to +105°C

**Material Info**

**Reference - Drawing Numbers**

Sales Drawing	SD-49626-001
---------------	--------------



**EU RoHS**

**ELV and RoHS Compliant**  
**REACH SVHC**  
 Not Reviewed  
**Halogen-Free Status**

**China RoHS**



**Need more information on product environmental compliance?**

Email [productcompliance@molex.com](mailto:productcompliance@molex.com)  
 For a multiple part number RoHS Certificate of Compliance, [click here](#)

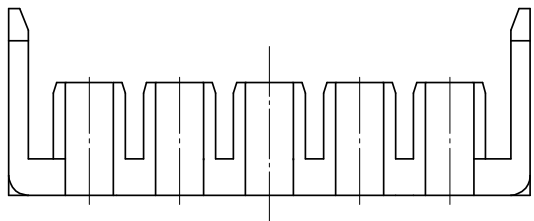
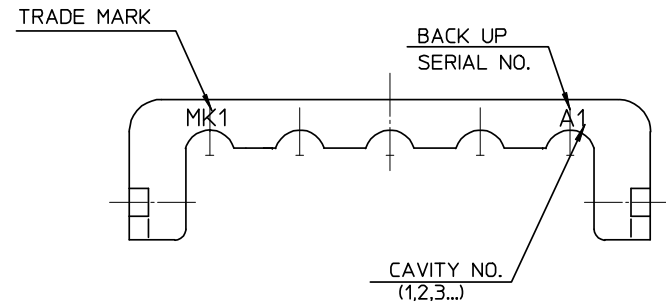
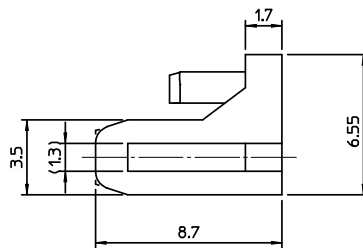
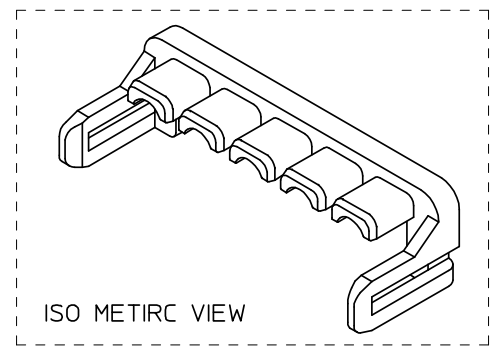
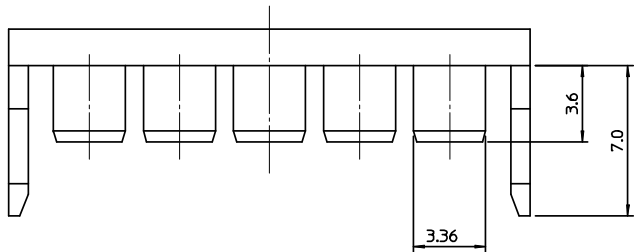
Please visit the [Contact Us](#) section for any non-product compliance questions.

**Search Parts in this Series**

[49626Series](#)

**Mates With**

4.20mm (.165") Wire-to-Wire Male TPA™  
[49623](#)



-TABLE-

49626-1182	496261182	42	49.5	11
49626-1082	496261082	37.8	45.3	10
49626-0982	496260982	33.6	41.1	09
49626-0682	496260682	21.0	28.5	06
49626-0582	496260582	16.8	24.3	05
49626-0382	496260382	8.4	15.9	03
ENG NO.	MATREIAL NO.	A	B	CIRCUIT

NOTES

1. MATERIAL : POLYAMIDE(PA66),GLASS FILLED, UL94V-HB, COLOR : RED
2. APPLICABLE TERMINAL : 5558 T2A SERISE. 5558 T SERISE.
3. MATED WITH : 49623-\*\*90 SERIES.
4. PRODUCT SPECIFICATION : PS-49623-001

RELEASED EC NO: KOR2008-0134 DRWN:SKHAN01 2008/02/27 CHKD:WY. YANG 2008/02/29 APPR:YUNS.IKK.IM 2008/02/29	QUALITY SYMBOLS	GENERAL TOLERANCES (UNLESS SPECIFIED)	DIMENSION STYLE	SCALE	DESIGN UNITS	THIRD ANGLE PROJECTION
	▼=0 ▽=0	mm INCH	MM ONLY	4:1	METRIC	
		4 PLACES ± --- ± ---	DRAWN BY DATE	TITLE		
		3 PLACES ± --- ± ---	SK. HAN 2008/01/29	4.2MM W/W TPA CONN. LOWER TPA FOR MALE HOUSING		
	2 PLACES ± 0.3 ± ---	CHECKED BY DATE	MATERIAL NO.			
	1 PLACE ± 0.3 ± ---	WY. YANG 2008/01/29	DOCUMENT NO.			
	ANGULAR ± 3 °	APPROVED BY DATE	SHEET NO.			
		EH. JUNG 2008/01/29	SD-49626-001			
		MATERIAL NO.	1 OF 1			
			SEE TABLE			
			THIS DRAWING CONTAINS INFORMATION THAT IS PROPRIETARY TO MOLEX INCORPORATED AND SHOULD NOT BE USED WITHOUT WRITTEN PERMISSION			

DRAFT WHERE APPLICABLE MUST REMAIN WITHIN DIMENSIONS

SIZE A3

MOLEX INCORPORATED