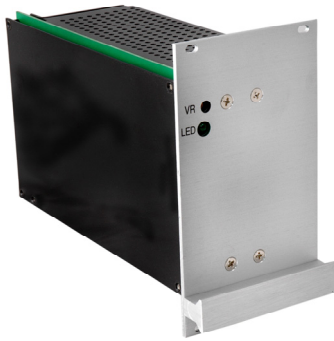


HiTRON

AUTO-RANGING AC INPUT AC-DC 19" COMPATIBLE EUROCARD SINGLE OUTPUT 160 WATTS SWITCHING MODE POWER SUPPLIES HSU160 SERIES



FEATURES:

- **AUTO-RANGING AC INPUT**
- **19" COMPATIBLE EUROCARD FORMAT**
- **MEET THE SAFETY STANDARDS**
- **EMI MEET CISPR PUB. 22 & FCC CLASS B**
- **CE MARKING COMPLIANCE**
- **3U X 14HP X 160MM VMEbus STANDARD**

SPECIFICATION

INPUT SPECIFICATION

Input Voltage: Auto-ranging 115Vac(90-132Vac) and 230Vac(180-264Vac).
Transient threshold typ. 150Vac.
Input Connector: DIN 41612 at rear.
Input Frequency: 47-63Hz.
Inrush Current: Typ. 40.0A @ 230Vac.
Input Current: Typ. 2.2A/115Vac & 1.1A/230Vac.
Dielectric Withstand: Meet IEC 60950-1.
EMI: Meet CISPR PUB. 22 & FCC Class B.
Hold-up Time: Typ. 45mS @115Vac/50mS @230Vac.
Earth leakage: Typ. 0.45mA @230Vac.

OUTPUT SPECIFICATION

Output Voltage: See Ratings Chart.
Output Current: See Ratings Chart.
Output Wattage: Typ. 160 Watts.
Output Connector: DIN 41612 at rear.
Line Regulation: Typ. 0.1%.
Load Regulation: Main VO1 typ. $\pm 0.5\%$.
Noise & Ripple: Typ. 1% peak to peak.
OVP: Built-in at main VO1 (crowbar).
Adjustability: Available at main output VO1.
Remote Sense: Installed in main VO1.
Overload Protection (OLP): Fully protected against output overload and short circuit.
Consult the factory for OLP setting.

GENERAL SPECIFICATION

Efficiency: Typ. 80.0-85.0%.
Switching Frequency: Typ. 77K Hz.
Circuit Topology: Forward circuit.
Transient Response: Output voltage returns in less than 1.5mS following a 25% load change.
Safety Standard: IEC 60950-1/UL 60950-1 Class I.
Power Density: 2.20 Watts / Cubic Inch.

Operating Temperature: 0 to +50°C at full load.
Derates linearly to +70°C at half load.
Storage Temperature: -20 to +85°C.
Temperature Coefficient: Typ. 0.04%/°C.
Cooling: Free air convection.
Construction format: 14HP(TE) x 3U compatible Eurocard VMEbus standard.

Note: Due to requests in market and advances in technology, specifications subject to change without notification.



In application

OUTPUT VOLTAGE / CURRENT RATINGS CHART

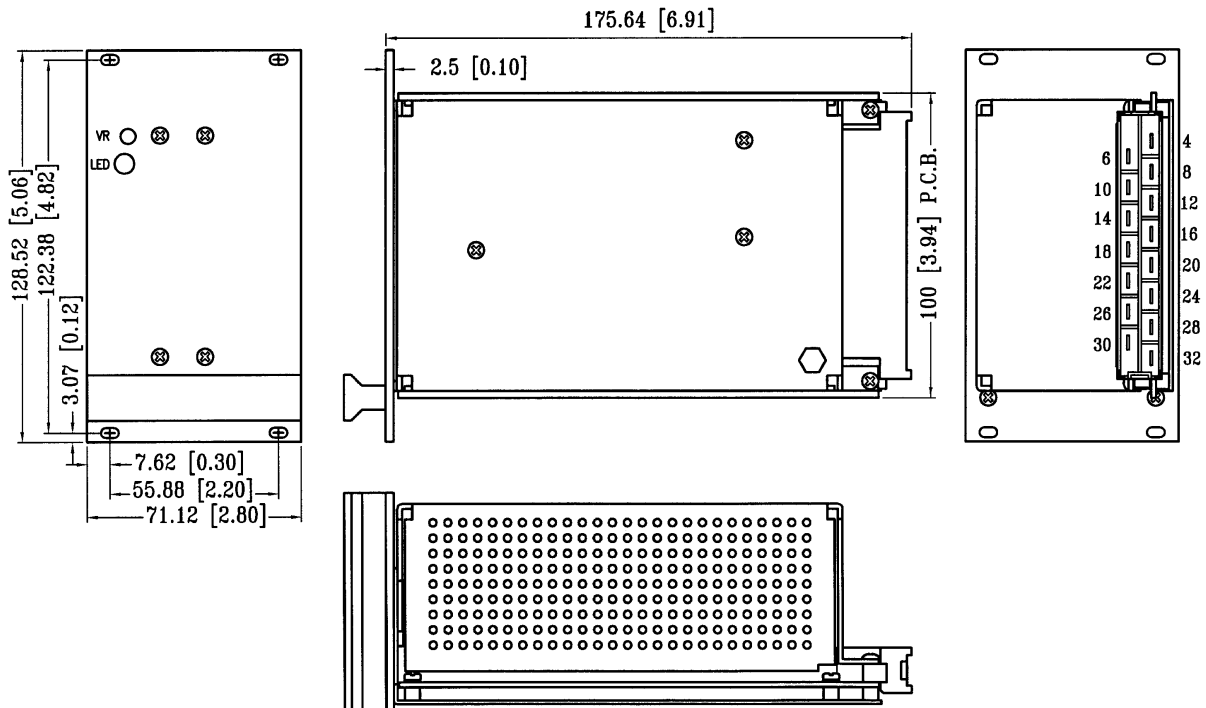
SINGLE OUTPUT

MODEL NO.	MAIN VO1 ★@#	
	Typ.	Volt.
HSU160-10	30.0A	5.0V
HSU160-11	12.5A	12.0V
HSU160-12	10.0A	15.0V
HSU160-13	6.2A	24.0V
HSU160-14	5.3A	28.0V
HSU160-15	3.2A	48.0V

Symbols: "★" OVP built-in. "@@" Adjustable. "#" Remote Sense.

MECHANICAL DIMENSIONS: MM [INCHES]

WEIGHT: 1.08 kg (2.38 lb.)



INPUT & OUTPUT CONNECTORS PIN ASSIGNMENTS

ASSIGNMENT	AC INPUT			SINGLE OUTPUT			ASSORTED SIGNAL	
	AC LINE	AC NEUTRAL	AC-GROUND	VO1	DC COM	NC	+SENSE	-SENSE
CONNECTOR & PIN#	26,28	30	32	4,6	12,14	16,18,20,22,24	8	10

Mating connector: DIN41612-H15 Female