

REVISIONS

LTR	DESCRIPTION	DATE (YR-MO-DA)	APPROVED

REV																				
SHEET																				
REV																				
SHEET																				
REV STATUS OF SHEETS	REV																			
	SHEET	1	2	3	4	5	6	7	8	9	10	11	12	13						

<p align="center">STANDARD MICROCIRCUIT DRAWING</p> <p>THIS DRAWING IS AVAILABLE FOR USE BY ALL DEPARTMENTS AND AGENCIES OF THE DEPARTMENT OF DEFENSE</p> <p>AMSC N/A</p>	<p>PMIC N/A</p>	<p>PREPARED BY Gary Zahn</p>	<p align="center">DEFENSE ELECTRONICS SUPPLY CENTER DAYTON, OHIO 45444</p>		
	<p>CHECKED BY Michael C. Jones</p>	<p align="center">MICROCIRCUIT, LINEAR, 2 - VOLT, DIRECT RESOLVER CONVERTER, HYBRID</p>			
	<p>APPROVED BY Kendall A. Cottongim</p>				
	<p>DRAWING APPROVAL DATE 95-03-16</p>	<p>SIZE A</p>	<p>CAGE CODE 67268</p>	<p align="center">5962-94545</p>	
	<p>REVISION LEVEL</p>	<p>SHEET 1</p>	<p>OF</p>	<p align="center">13</p>	

DESC FORM 193
JUL 94

5962-E133-95

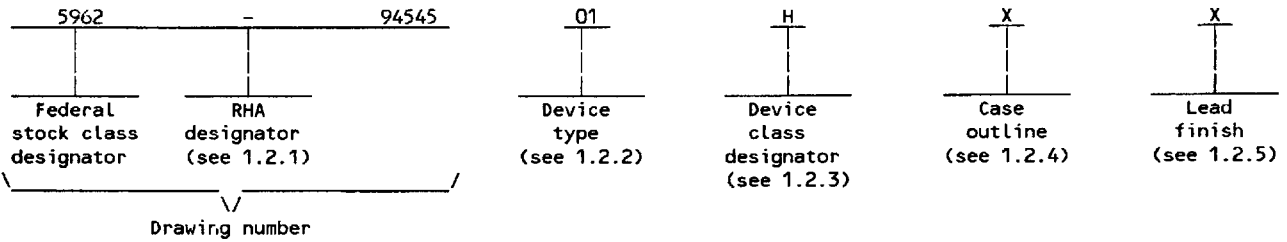
DISTRIBUTION STATEMENT A. Approved for public release; distribution is unlimited.

■ 9004708 0007912 8T2 ■

1. SCOPE

1.1 Scope. This drawing forms a part of a one part - one part number documentation system (see 6.6 herein). This drawing describes device requirements for hybrid microcircuits to be processed in accordance with MIL-H-38534. Two product assurance classes, military high reliability (device class H) and space application (device class K) and a choice of case outlines and lead finishes are available and are reflected in the Part or Identifying Number (PIN). When available, a choice of radiation hardness assurance levels are reflected in the PIN.

1.2 PIN. The PIN shall be as shown in the following example:



1.2.1 Radiation hardness assurance (RHA) designator. Device classes H and K RHA marked devices shall meet the MIL-H-38534 specified RHA levels and shall be marked with the appropriate RHA designator. A dash (-) indicates a non-RHA device.

1.2.2 Device type(s). The device type(s) shall identify the circuit function as follows:

<u>Device type</u>	<u>Generic number</u>	<u>Circuit function</u>	<u>Frequency</u>	<u>Accuracy ±1 LSB</u>
01	SD-14553DX-112	2 V direct converter	400 Hz	4 min
02	SD-14553DX-114	2 V direct converter	400 Hz	2 min

1.2.3 Device class designator. This device class designator shall be a single letter identifying the product assurance level as follows:

<u>Device class</u>	<u>Device requirements documentation</u>
H or K	Certification and qualification to MIL-H-38534

1.2.4 Case outline(s). The case outline(s) shall be as designated in MIL-STD-1835 and as follows:

<u>Outline letter</u>	<u>Descriptive designator</u>	<u>Terminals</u>	<u>Package style</u>
X	See figure 1	34	Dual-in-line

1.2.5 Lead finish. The lead finish shall be as specified in MIL-H-38534 for classes H and K. Finish letter "X" shall not be marked on the microcircuit or its packaging. The "X" designation is for use in specifications when lead finishes A, B, and C are considered acceptable and interchangeable without preference.

STANDARD MICROCIRCUIT DRAWING DEFENSE ELECTRONICS SUPPLY CENTER DAYTON, OHIO 45444	SIZE A		5962-94545
		REVISION LEVEL	SHEET 2

DESC FORM 193A
 JUL 94

9004708 0007913 739

1.3 Absolute maximum ratings. 1/

Positive supply voltage (V_{CC})	+7.0 V dc
Reference input voltage	35 V rms
Digital input voltage range	-0.3 V dc to +7.0 V dc
Power dissipation, $T_A = +125^\circ\text{C}$ (P_D)	170 mW
Storage temperature range	-65°C to +150°C
Lead temperature (soldering, 10 seconds)	+300°C
Thermal resistance, junction-to-case (θ_{JC})	8.0°C/W
Thermal resistance, junction-to-ambient (θ_{JA})	20°C/W

1.4 Recommended operating conditions.

Positive supply voltage range (V_{CC})	+4.75 V dc to +5.25 V dc
Reference input voltage range	2.0 V rms to 35 V rms
Reference input carrier frequency range	360 Hz to 5000 Hz
Signal input voltage range	1.70 V rms to 2.30 V rms
Ambient operating temperature range (T_A)	-55°C to +125°C

2. APPLICABLE DOCUMENTS

2.1 Government specification, standards, and handbook. Unless otherwise specified, the following specification, standards, and handbook of the issue listed in that issue of the Department of Defense Index of Specifications and Standards specified in the solicitation, form a part of this drawing to the extent specified herein.

SPECIFICATION

MILITARY

MIL-H-38534 - Hybrid Microcircuits, General Specification for.

STANDARDS

MILITARY

- MIL-STD-883 - Test Methods and Procedures for Microelectronics.
- MIL-STD-973 - Configuration Management.
- MIL-STD-1835 - Microcircuit Case Outlines.

HANDBOOK

MILITARY

MIL-HDBK-780 - Standardized Military Drawings.

(Copies of the specification, standards, and handbook required by manufacturers in connection with specific acquisition functions should be obtained from the contracting activity or as directed by the contracting activity.)

2.2 Order of precedence. In the event of a conflict between the text of this drawing and the references cited herein, the text of this drawing shall take precedence.

1/ Stresses above the absolute maximum rating may cause permanent damage to the device. Extended operation at the maximum levels may degrade performance and affect reliability.

STANDARD MICROCIRCUIT DRAWING DEFENSE ELECTRONICS SUPPLY CENTER DAYTON, OHIO 45444	SIZE A		5962-94545
		REVISION LEVEL	SHEET 3

DESC FORM 193A
 JUL 94

■ 9004708 0007914 675 ■

3. REQUIREMENTS

3.1 Item requirements. The individual item requirements shall be in accordance with MIL-H-38534 and as specified herein.

3.2 Design, construction, and physical dimensions. The design, construction, and physical dimensions shall be as specified in MIL-H-38534 and herein.

3.2.1 Case outline(s). The case outline(s) shall be in accordance with 1.2.4 herein and figure 1.

3.2.2 Terminal connections. The terminal connections shall be as specified on figure 2.

3.2.3 Block diagram. The block diagram shall be as specified on figure 3.

3.3 Electrical performance characteristics. Unless otherwise specified herein, the electrical performance characteristics are as specified in table I and shall apply over the full specified operating temperature range.

3.4 Electrical test requirements. The electrical test requirements shall be the subgroups specified in table II. The electrical tests for each subgroup are described in table I.

3.5 Marking. Marking shall be in accordance with MIL-H-38534. The part shall be marked with the PIN listed in 1.2 herein. In addition, the manufacturer's PIN may also be marked as listed in QML-38534.

3.6 Manufacturer eligibility. In addition to the general requirements of MIL-H-38534, the manufacturer of the part described herein shall maintain the electrical test data (variables format) from the initial quality conformance inspection group A lot sample, produced on the certified line, for each device type listed herein. The data should also include a summary of all parameters manually tested, and for those which, if any, are guaranteed. This data shall be maintained under document revision level control by the manufacturer and be made available to the preparing activity (DESC-EC) upon request.

3.7 Certificate of compliance. A certificate of compliance shall be required from a manufacturer in order to supply to this drawing. The certificate of compliance submitted to DESC-EC shall affirm that the manufacturer's product meets the requirements of MIL-H-38534 and the requirements herein.

3.8 Certificate of conformance. A certificate of conformance as required in MIL-H-38534 shall be provided with each lot of microcircuits delivered to this drawing.

4. QUALITY ASSURANCE PROVISIONS

4.1 Sampling and inspection. Sampling and inspection procedures shall be in accordance with MIL-H-38534.

4.2 Screening. Screening shall be in accordance with MIL-H-38534. The following additional criteria shall apply:

a. Burn-in test, method 1015 of MIL-STD-883.

(1) Test condition A, B, C, or D. The test circuit shall be maintained by the manufacturer under document revision level control and shall be made available to either DESC-EC or the acquiring activity upon request. Also, the test circuit shall specify the inputs, outputs, biases, and power dissipation, as applicable, in accordance with the intent specified in test method 1015.

(2) T_A as specified in accordance with table I of method 1015 of MIL-STD-883.

b. Interim and final electrical test parameters shall be as specified in table II herein, except interim electrical parameter tests prior to burn-in are optional at the discretion of the manufacturer.

STANDARD MICROCIRCUIT DRAWING DEFENSE ELECTRONICS SUPPLY CENTER DAYTON, OHIO 45444	SIZE A		5962-94545
		REVISION LEVEL	SHEET 4

DESC FORM 193A
 JUL 94

■ 9004708 0007915 501 ■

TABLE I. Electrical performance characteristics.

Test	Symbol	Conditions -55°C ≤ T _A ≤ +125°C V _{CC} = +5 V dc, unless otherwise specified	Group A subgroups	Device type	Limits		Unit
					Min	Max	
Resolution control <u>1/</u>	RC	A = B = 0.8 V	7,8A,8B	All	10	10	Bits
		A = 2.0 V, B = 0.8 V			12	12	
		A = 0.8 V, B = 2.0 V			14	14	
		A = B = 2.0 V			16	16	
Accuracy repeatability	AR	<u>2/</u> <u>3/</u>	7,8A,8B	All	-1.0	+1.0	LSB
Accuracy Differential	AR	<u>2/</u> <u>3/</u>	7,8A,8B	All	-1.0	+1.0	LSB
Output accuracy	AOUT	In 16-bit mode <u>2/</u>	7,8A,8B	01	-13	+13	LSB
				02	-7	+7	
Reference input voltage range <u>3/</u>	V _{IN1}		4,5,6	All	2.0	35	V rms
Reference input impedance <u>3/</u>	Z _{IN1}	Single ended	4,5,6	All	60		kΩ
		Differential			120		
Reference input common mode range <u>3/</u>	V _{CM1}		4,5,6	All	-50	+50	V pk
Signal input impedance <u>3/</u>	Z _{IN2}	Line-to-ground	4,5,6	All	20		MΩ
Digital output low <u>1/</u> voltage	V _{OL}	I _{OL} = -1.6 mA	1,2,3	All		0.4	V
Digital output high <u>1/</u> voltage	V _{OH}	I _{OH} = 0.4 mA	1,2,3	All	2.8		V
Output leakage <u>4/</u> current	I _{OZ}		1,2,3	All	-10	+10	μA

See footnotes at end of table.

STANDARD MICROCIRCUIT DRAWING DEFENSE ELECTRONICS SUPPLY CENTER DAYTON, OHIO 45444	SIZE A		5962-94545
		REVISION LEVEL	SHEET 5

DESC FORM 193A
JUL 94

■ 9004708 0007916 448 ■

TABLE I. Electrical performance characteristics - Continued.

Test	Symbol	Conditions -55°C ≤ T _A ≤ +125°C V _{CC} = +5 V dc, unless otherwise specified	Group A subgroups	Device type	Limits		Unit
					Min	Max	
Digital input high voltage <u>1/</u>	V _{IH}	Digital inputs A, B, INH, EL, and EM	V _{IN} = 2.0 V	1,2,3	ALL	pass/ fail	
Digital input low voltage <u>1/</u>	V _{IL}		V _{IN} = 0.8 V	1,2,3	ALL	pass/ fail	
Digital input current <u>1/</u>	I _{IN}	EL, EM, INH, A, B, internal pull-up		4,5,6	ALL	-10	μA
Inhibit voltage <u>1/</u>	V _{INH}	No digital angles change while INH is logic 0 and analog input is rotating		7,8A,8B	ALL	0.8	V
Enable voltage <u>1/</u>	V _E	EM controls output bits 1 - 8 and EL controls output bits 9 - 16		7,8A,8B	ALL	0.8	V
Disable voltage (high impedance) <u>1/</u>	V _D		7,8A,8B	ALL	2.0		V
Positive supply current	I _{CC}	V _{CC} = +5.25 V		1,2,3	ALL	+34	mA
Analog velocity output voltage	V _{OUT}	<u>4/</u>		7,8A,8B	ALL	2.24	3.36 V
Bandwidth <u>1/</u>	BW			7,8A,8B	ALL	39	72 Hz

- 1/ These parameters are tested on a go-no-go basis only or in conjunction with other measured parameters and are not directly testable.
- 2/ Output accuracy is measured at angles from 0° degrees to 180°, in 15° increments, and at 225, 270, and 315°.
- 3/ Parameters shall be tested as part of device initial characterization and after design and process changes. Parameters shall be guaranteed to the limits specified in table I for all lots not specifically tested.
- 4/ Analog output voltage is tested at 8 revolutions per second.

STANDARD MICROCIRCUIT DRAWING DEFENSE ELECTRONICS SUPPLY CENTER DAYTON, OHIO 45444	SIZE A	5962-94545
	REVISION LEVEL	SHEET 6

DESC FORM 193A
JUL 94

9004708 0007917 384

Case outline X

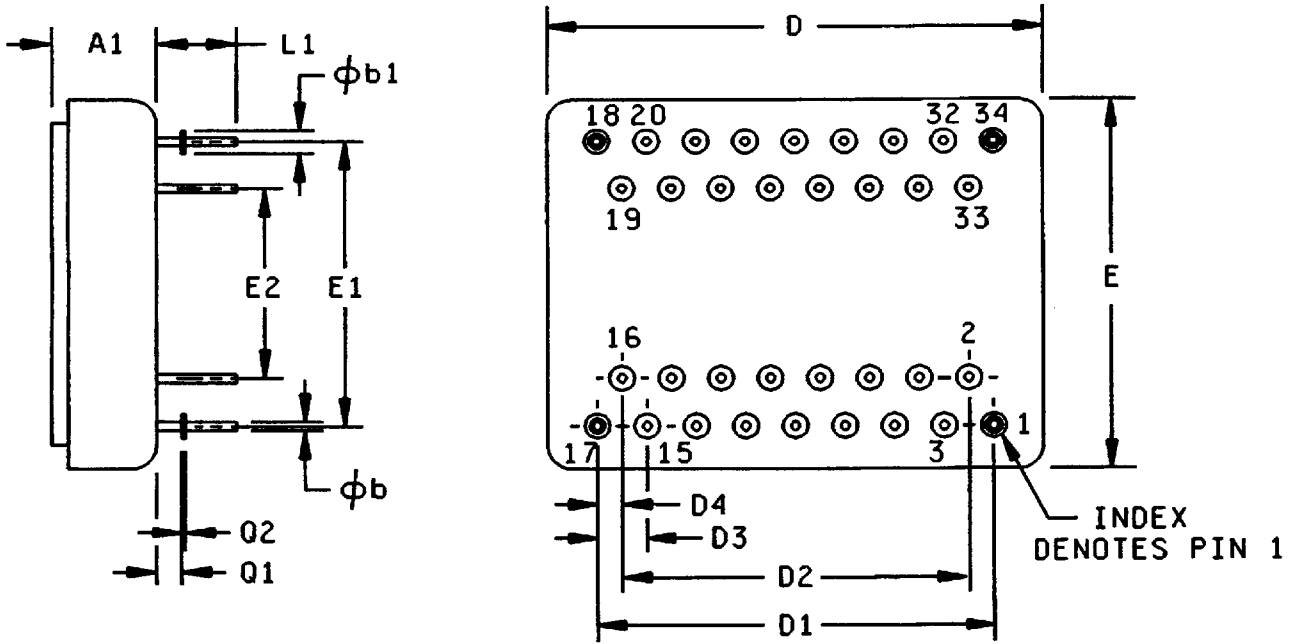


FIGURE 1. Case outline.

STANDARD MICROCIRCUIT DRAWING DEFENSE ELECTRONICS SUPPLY CENTER DAYTON, OHIO 45444	SIZE A		5962-94545
		REVISION LEVEL	SHEET 7

DESC FORM 193A
 JUL 94

■ 9004708 0007918 210 ■

Case outline X - Continued.

Symbol	Millimeters		Inches	
	Min	Max	Min	Max
A1		5.33		0.210
øb	0.41	0.51	0.016	0.020
øb1	1.14	1.40	0.045	0.055
D		25.40		1.000
D1	20.19	20.45	0.795	0.805
D2	17.65	17.91	0.695	0.705
D3	2.41	2.67	0.095	0.105
D4	1.14	1.40	0.045	0.055
E		19.81		0.780
E1	15.11	15.37	0.595	0.605
E2	10.03	10.29	0.395	0.405
L1	4.06		0.160	
Q1	1.14	1.40	0.045	0.055
Q2	0.15	0.25	0.006	0.010

NOTES:

1. The U.S. preferred system of measurement is the metric SI. This item was designed using inch-pound units of measurement. In case of problems involving conflicts between the metric and inch-pound units, the inch-pound units shall rule.
2. Pin numbers are for reference only.
3. Lead clusters to be located within (± 0.005) 1.27mm of case center line.

FIGURE 1. Case outline - Continued.

STANDARD MICROCIRCUIT DRAWING DEFENSE ELECTRONICS SUPPLY CENTER DAYTON, OHIO 45444	SIZE A		5962-94545
		REVISION LEVEL	SHEET 8

DESC FORM 193A
 JUL 94

9004708 0007919 157

Device types	ALL
Case outline	X
Terminal number	Terminal symbol
1	No connection
2	COS(D)
3	SIN(D)
4	No connection
5	Filter point
6	+5 V supply
7	Ground
8	EM (enable MSBs)
9	Bit (built-in-test)
10	Bit 1
11	Bit 9
12	Bit 2
13	Bit 10 (LSB, 10-bit mode)
14	Bit 3
15	Bit 11
16	Bit 4
17	Bit 12 (LSB, 12-bit mode)
18	Bit 5
19	Bit 13
20	Bit 6
21	Bit 14 (LSB, 14-bit mode)
22	Bit 7
23	Bit 15
24	Bit 8
25	Bit 16 (LSB, 16-bit mode)
26	EL (enable LSBs)
27	A (resolution control A)
28	B (resolution control B)
29	INH (inhibit)
30	VEL (velocity output)
31	A GND (analog ground)
32	No connection
33	RL (- reference input)
34	RH (+ reference input)

FIGURE 2. Terminal connections.

STANDARD MICROCIRCUIT DRAWING DEFENSE ELECTRONICS SUPPLY CENTER DAYTON, OHIO 45444	SIZE A		5962-94545
		REVISION LEVEL	SHEET 9

DESC FORM 193A
JUL 94

9004708 0007920 979

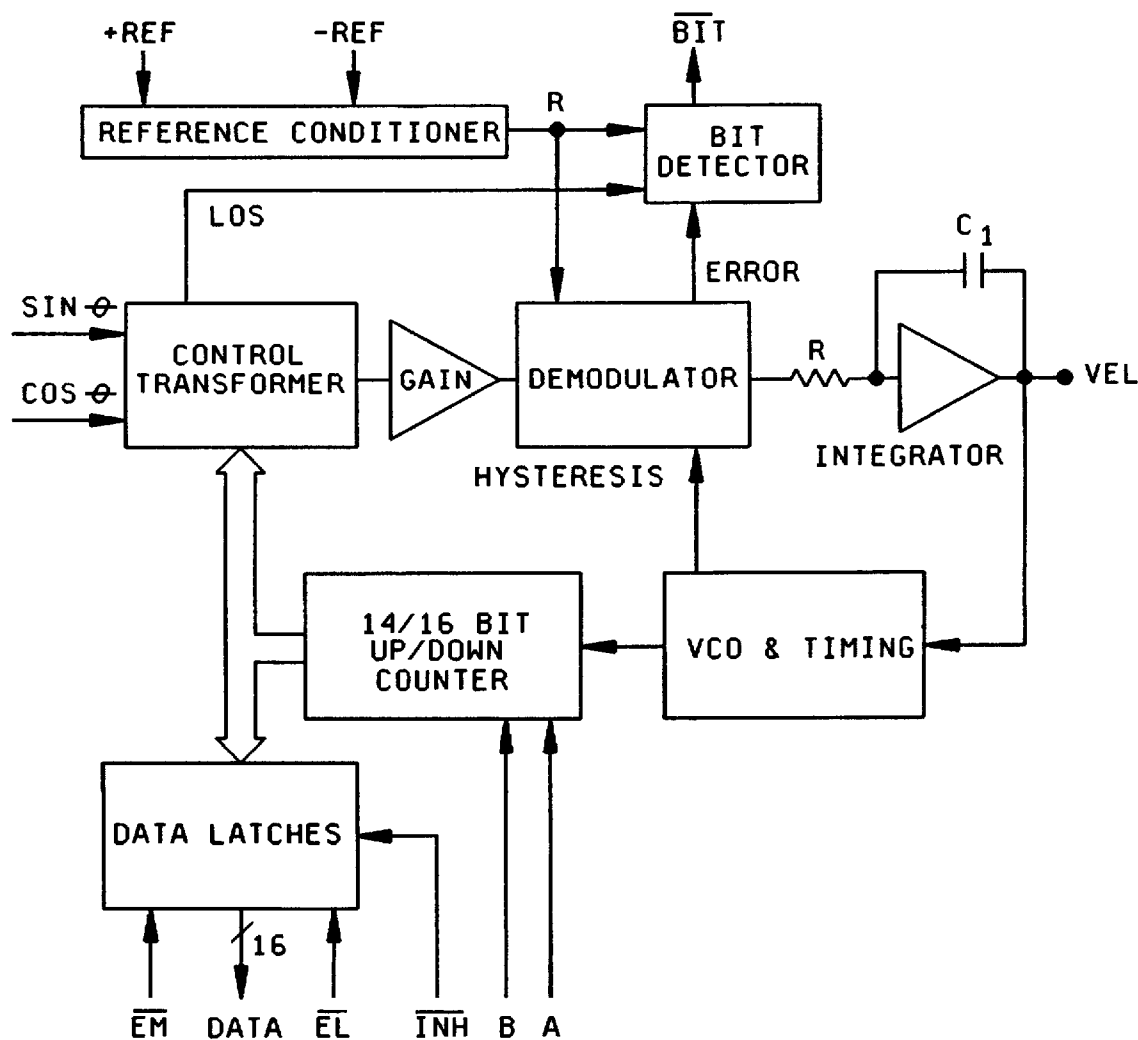


FIGURE 3. Block diagram.

STANDARD
MICROCIRCUIT DRAWING
DEFENSE ELECTRONICS SUPPLY CENTER
DAYTON, OHIO 45444

SIZE
A

5962-94545

REVISION LEVEL

SHEET

10

DESC FORM 193A
JUL 94

9004708 0007921 805

TABLE II. Electrical test requirements.

MIL-H-38534 test requirements	Subgroups (in accordance with MIL-H-38534, group A test table)
Interim electrical parameters	1,4,7,9
Final electrical test parameters	1*,2,3,4,5,6,7,8A,8B
Group A test requirements	1,2,3,4,5,6,7,8A,8B
Group C end-point electrical parameters	1,2,3,4,5,6,7,8A,8B
Group E end-point electrical parameters for RHA devices	Subgroups ** (in accordance with method 5005, group A test table)

* PDA applies to subgroup 1.

** When applicable to this standardized military drawing,
the subgroups shall be defined.

4.3 Quality conformance inspection. Quality conformance inspection shall be in accordance with MIL-H-38534 and as specified herein.

4.3.1 Group A inspection. Group A inspection shall be in accordance with MIL-H-38534 and as follows:

- a. Tests shall be as specified in table II herein.
- b. Subgroups 9, 10, and 11 shall be omitted.

4.3.2 Group B inspection. Group B inspection shall be in accordance with MIL-H-38534.

4.3.3 Group C inspection. Group C inspection shall be in accordance with MIL-H-38534 and as follows:

- a. End-point electrical parameters shall be as specified in table II herein.
- b. Steady-state life test conditions, method 1005 of MIL-STD-883.
 - (1) Test condition A, B, C, or D. The test circuit shall be maintained by the manufacturer under document revision level control and shall be made available to either DESC-EC or the acquiring activity upon request. Also, the test circuit shall specify the inputs, outputs, biases, and power dissipation, as applicable, in accordance with the intent specified in test method 1005.
 - (2) T_A as specified in accordance with table I of method 1005 of MIL-STD-883.
 - (3) Test duration: 1,000 hours, except as permitted by method 1005 of MIL-STD-883.

4.3.4 Group D inspection. Group D inspection shall be in accordance with MIL-H-38534.

STANDARD MICROCIRCUIT DRAWING DEFENSE ELECTRONICS SUPPLY CENTER DAYTON, OHIO 45444	SIZE A		5962-94545
		REVISION LEVEL	SHEET 11

DESC FORM 193A
JUL 94

■ 9004708 0007922 741 ■

4.3.5 Group E inspection. Group E inspection is required only for parts intended to be marked as radiation hardness assured (see 3.5 herein). RHA levels for device classes H and K shall be M, D, R, and H. RHA quality conformance inspection sample tests shall be performed at the RHA level specified in the acquisition document.

- a. RHA tests for device classes H and K for levels M, D, R, and H shall be performed through each level to determine at what levels the devices meet the RHA requirements. These RHA tests shall be performed for initial qualification and after design or process changes which may affect the RHA performance of the device.
- b. End-point electrical parameters shall be as specified in table II herein.
- c. Prior to total dose irradiation, each selected sample shall be assembled in its qualified package. It shall pass the specified group A electrical parameters in table I for subgroups specified in table II herein.
- d. For device classes H and K, the devices shall be subjected to radiation hardness assured tests as specified in MIL-H-38534 for RHA level being tested, and meet the postirradiation end-point electrical parameter limits as defined in table I at $T_A = +25^{\circ}\text{C} \pm 5$ percent, after exposure.
- e. Prior to and during total dose irradiation testing, the devices shall be biased to establish a worst case condition as specified in the radiation exposure circuit.
- f. For device classes H and K, subgroups 1 and 2 in table V, method 5005 of MIL-STD-883 shall be tested as appropriate for device construction.
- g. When specified in the purchase order or contract, a copy of the RHA delta limits shall be supplied.

5. PACKAGING

5.1 Packaging requirements. The requirements for packaging shall be in accordance with MIL-H-38534.

6. NOTES

6.1 Intended use. Microcircuits conforming to this drawing are intended for use for Government microcircuit applications (original equipment), design applications, and logistics purposes.

6.2 Replaceability. Microcircuits covered by this drawing will replace the same generic device covered by a contractor-prepared specification or drawing.

6.3 Configuration control of SMD's. All proposed changes to existing SMD's will be coordinated with the users of record for the individual documents. This coordination will be accomplished in accordance with MIL-STD-973 using DD Form 1692, Engineering Change Proposal.

6.4 Record of users. Military and industrial users shall inform Defense Electronics Supply Center when a system application requires configuration control and the applicable SMD. DESC will maintain a record of users and this list will be used for coordination and distribution of changes to the drawings. Users of drawings covering microelectronic devices (FSC 5962) should contact DESC-EC, telephone (513) 296-6047.

6.5 Comments. Comments on this drawing should be directed to DESC-EC, Dayton, Ohio 45444, or telephone (513) 296-5373.

STANDARD MICROCIRCUIT DRAWING DEFENSE ELECTRONICS SUPPLY CENTER DAYTON, OHIO 45444	SIZE A	5962-94545
	REVISION LEVEL	SHEET 12

DESC FORM 193A
JUL 94

■ 9004708 0007923 688 ■

6.6 One part - one part number system. The one part - one part number system described below has been developed to allow for transitions between identical generic devices covered by the three major microcircuit requirements documents (MIL-H-38534, MIL-I-38535, and 1.2.1 of MIL-STD-883) without the necessity for the generation of unique PIN's. The three military requirements documents represent different class levels, and previously when a device manufacturer upgraded military product from one class level to another, the benefits of the upgraded product were unavailable to the Original Equipment Manufacturer (OEM), that was contractually locked into the original unique PIN. By establishing a one part number system covering all three documents, the OEM can acquire to the highest class level available for a given generic device to meet system needs without modifying the original contract parts selection criteria.

<u>Military documentation format</u>	<u>Example PIN under new system</u>	<u>Manufacturing source Listing</u>	<u>Document Listing</u>
New MIL-H-38534 Standard Microcircuit Drawings	5962-XXXXZZ(H or K)YY	QML-38534	MIL-BUL-103
New MIL-I-38535 Standard Microcircuit Drawings	5962-XXXXZZ(Q or V)YY	QML-38535	MIL-BUL-103
New 1.2.1 of MIL-STD-883 Standard Microcircuit Drawings	5962-XXXXZZ(M)YY	MIL-BUL-103	MIL-BUL-103

6.7 Sources of supply for device classes H and K. Sources of supply for device classes H and K are listed in QML-38534. The vendors listed in QML-38534 have submitted a certificate of compliance (see 3.7 herein) to DESC-EC and have agreed to this drawing.

STANDARD MICROCIRCUIT DRAWING DEFENSE ELECTRONICS SUPPLY CENTER DAYTON, OHIO 45444	SIZE A		5962-94545
		REVISION LEVEL	SHEET 13

DESC FORM 193A
JUL 94

■ 9004708 0007924 514 ■