

PLEASE CHECK WWW.MOLEX.COM FOR LATEST PART INFORMATION

Part Number: [0350230008](#)
Status: **Active**
Description: 2.00mm (.079") Pitch Board-In Crimp Housing, 8 Circuits

Documents:

[3D Model](#) [Product Specification PS-35044-001 \(PDF\)](#)
[Drawing \(PDF\)](#) [RoHS Certificate of Compliance \(PDF\)](#)
[Product Specification PS-35023-001 \(PDF\)](#)

Agency Certification

CSA LR19980
 UL E29179

General

Product Family Crimp Housings
 Series [35023](#)
 Product Name Board-In

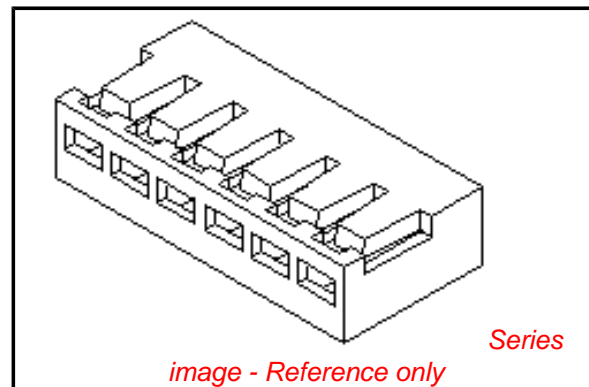
Physical

Circuits (maximum) 8
 Color - Resin Natural
 Flammability 94V-0
 Gender Female
 Glow-Wire Compliant No
 Material - Resin Nylon
 Number of Rows 1
 Packaging Type Bag
 Panel Mount No
 Pitch - Mating Interface (in) 0.079 In
 Pitch - Mating Interface (mm) 2.00 mm
 Stackable No
 Temperature Range - Operating -40°C to +105°C

Material Info

Reference - Drawing Numbers

Product Specification PS-35023-001, PS-35044-001
 Sales Drawing SD-35023-*0**, SD-35023-001



EU RoHS

**ELV and RoHS
 Compliant**
**REACH SVHC
 Contains SVHC: No**
**Halogen-Free
 Status**
Not Reviewed

China RoHS



**Need more information on product
 environmental compliance?**

Email productcompliance@molex.com
 For a multiple part number RoHS Certificate of
 Compliance, [click here](#)

Please visit the [Contact Us](#) section for any
 non-product compliance questions.

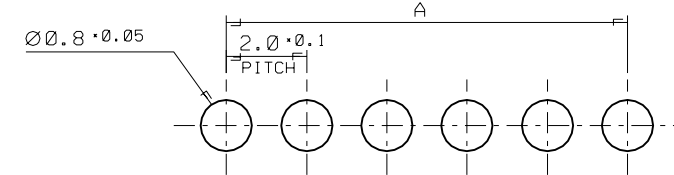
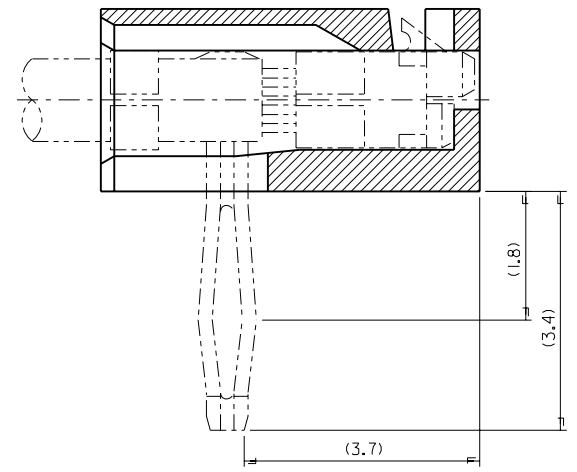
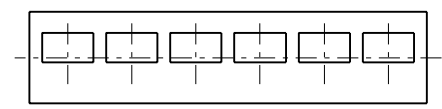
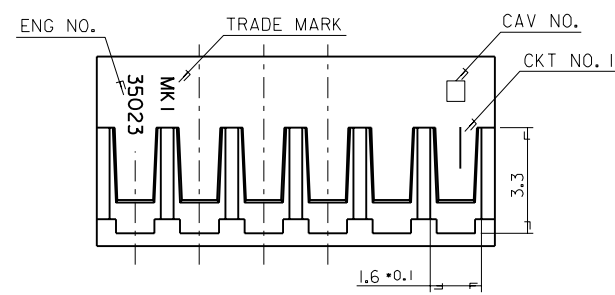
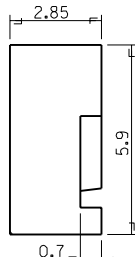
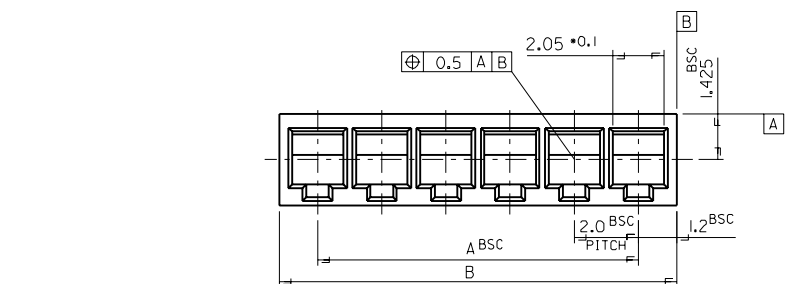
Search Parts in this Series

[35023Series](#)

Use With

[35044](#) , [35021](#)

DWG. NO. SD 35023-*0**
 SIMILAR ITEM 35023-*0**
 PROJECT NO. 35023-*0**
 DO NOT SCALE DRAWING DIMENSION IN METRIC



P.C. BOARD LAY OUT
(THK. = 1.6T)

- NOTE
- MATERIAL : NYLON 66 UL94V-0
 - APPLIED TERMINAL : 35021-I201/I301
 - PRODUCT SPECIFICATION : PS-35023

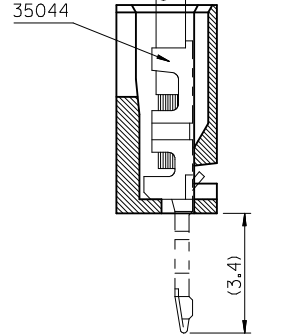
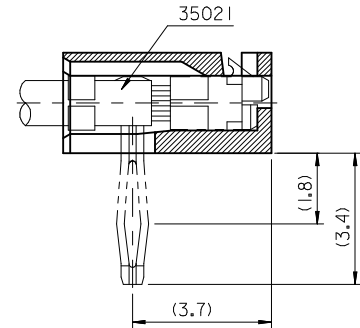
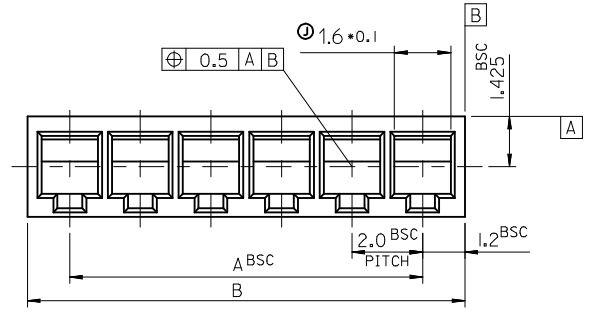
LEGEND

35023 - * 0 ** CKT.(02,03,04....)

COLOR : 0 --- NATURAL
1 --- BLACK

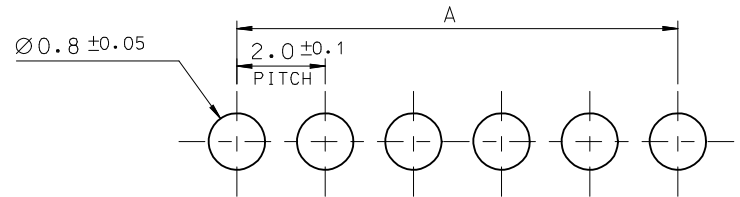
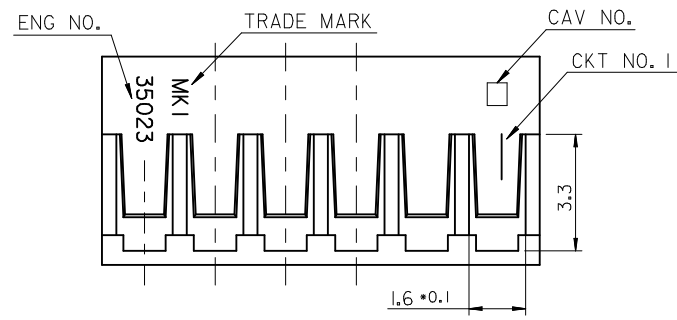
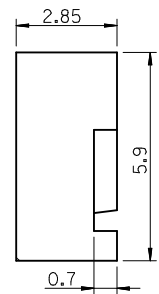
32.4	30.0	35023-*016	16	18.4	16.0	-*009	9
30.4	28.0	-*015	15	14.4	12.0	-*008	8
28.4	26.0	-*014	14	12.4	10.0	-*006	6
26.4	24.0	-*013	13	10.4	8.0	-*005	5
24.4	22.0	-*012	12	8.4	6.0	-*004	4
22.4	20.0	-*011	11	6.4	4.0	-*003	3
20.4	18.0	-*010	10	4.4	2.0	35023-*002	2
B	A	ENG NO.	CKT NO.	B	A	ENG NO.	CKT NO.

REVISED EC NO. KOR.999-0007 DRWN: K.S.KIM(990111) CHK: J.K.OH APPR: C.W.LEE	DESCRIPTION MAJOR CRITICAL	QUALITY SYMBOLS MAJOR CRITICAL		GENERAL TOLERANCES: (UNLESS SPECIFIED)		SCALE 7-1	DESIGN UNITS <input checked="" type="checkbox"/> mm <input type="checkbox"/> INCH	DIMENSIONS: <input type="checkbox"/> mm <input type="checkbox"/> INCH <input checked="" type="checkbox"/> mm ONLY		SHT 7-1	REV REVISE ON CAD ONLY	
		4 PLACES	±0.	±.	mm	INCH	DRAWN BY & DATE H.S.SHIN(931026)		TITLE: 2.0mm PITCH B-IN CONN. HOUSING(S/T)			
		3 PLACES	±0.	±.	mm	INCH	CHECKED BY & DATE J.K.OH		MOLEX INCORPORATED KOREA			
		2 PLACES	±0.	±.	mm	INCH	APPROVED BY & DATE C.W.LEE		CAD FILENAME SD35023.DGN			
1 PLACE	±0.3	±.	mm	INCH	ANGULAR: ± 1 °		MATERIAL NO. 35023-*0**		DRAWING NO. SD 35023-*0**		SHEET NO. IOF1	
DRAFT WHERE APPLICABLE MUST REMAIN WITHIN DIMENSIONS				THIS DRAWING CONTAINS INFORMATION THAT IS PROPRIETARY TO MOLEX INCORPORATED AND SHOULD NOT BE USED WITHOUT WRITTEN PERMISSION.								SIZE B

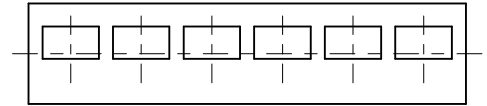


RIGHT ANGLE TYPE

STRAIGHT TYPE



P.C. BOARD LAY OUT
(THK.: 1.6+)



				18.4	16.0	- ****	9
32.4	30.0	35023- ****	16	16.4	14.0	- ****	8
30.4	28.0	- ****	15	14.4	12.0	- ****	7
28.4	26.0	- ****	14	12.4	10.0	- ****	6
26.4	24.0	- ****	13	10.4	8.0	- ****	5
24.4	22.0	- ****	12	8.4	6.0	- ****	4
22.4	20.0	- ****	11	6.4	4.0	- ****	3
20.4	18.0	- ****	10	4.4	2.0	35023- ****	2
B	A	ENG NO.	CKT NO.	B	A	ENG NO.	CKT NO.

NOTE

- MATERIAL : NYLON 66 UL94V-0
- APPLIED TERMINAL : 35021-1201/1301,35044
- PRODUCT SPECIFICATION : PS-35023

LEGEND (ZYTEL FE13001)

35023 - *0 ** CKT.(02,03,04....)

COLOR : 0 --- NATURAL
I --- BLACK

① LEGEND (TECHNYL A50H1,HF Version)

35023 - **6* --- COLOR : 0 --- NATURAL
I --- BLACK
CKT.(02,03,04....)

REVISED	DESCRIPTION	QUALITY SYMBOLS
EC NO: KOR2010-0015	2009/07/28	▽=0
DRWN: JHPARK01	2009/07/30	∇=0
CHKD: WY. YANG	2009/07/30	
APPR: YUNSIKIM	2009/07/30	

GENERAL TOLERANCES (UNLESS SPECIFIED)	
mm	INCH
4 PLACES ± ---	± ---
3 PLACES ± ---	± ---
2 PLACES ± 0.2	± ---
1 PLACE ± 0.3	± ---
ANGULAR ± 1 °	
DRAFT WHERE APPLICABLE MUST REMAIN WITHIN DIMENSIONS	

DIMENSION STYLE	
MM ONLY	
DRAWN BY	DATE
HS. SHIN	1993/10/26
CHECKED BY	DATE
JK. OH	1993/10/26
APPROVED BY	DATE
CW. LEE	1993/10/26
MATERIAL NO.	
SEE TABLE	
SIZE	
A3	

SCALE	DESIGN UNITS	THIRD ANGLE PROJECTION
1:1	METRIC	☉
TITLE		
2.0 PITCH B-IN CONN. HOUSING(S/T)		
MOLEX INCORPORATED		
DOCUMENT NO.	SHEET NO.	
SD-35023-001	1 OF 01	
THIS DRAWING CONTAINS INFORMATION THAT IS PROPRIETARY TO MOLEX INCORPORATED AND SHOULD NOT BE USED WITHOUT WRITTEN PERMISSION		