

*4M x 4Bit CMOS Quad  $\overline{\text{CAS}}$  DRAM with Extended Data Out*

**DESCRIPTION**

This is a family of 4,194,304 x 4 bit Quad  $\overline{\text{CAS}}$  with Extended Data Out Mode CMOS DRAMs. Extended Data Out Mode offers high speed random access of memory cells within the same row, so called Hyper Page Mode. Refresh cycle (2K Ref. or 4K Ref.), access time (-5 or -6), power consumption(Normal or Low power) and package type(SOJ or TSOP-II) are optional features of this family. All of this family have  $\overline{\text{CAS}}$ -before- $\overline{\text{RAS}}$  refresh,  $\overline{\text{RAS}}$ -only refresh and Hidden refresh capabilities. Furthermore, Self-refresh operation is available in L-version. Four separate  $\overline{\text{CAS}}$  pins provide for separate I/O operation allowing this device to operate in parity mode. This 4Mx4 Extended Data Out Quad  $\overline{\text{CAS}}$  DRAM family is fabricated using Samsung's advanced CMOS process to realize high bandwidth, low power consumption and high reliability.

**FEATURES**

• **Part Identification**

- KM44C4005C/C-L (5V, 4K Ref.)
- KM44C4105C/C-L (5V, 2K Ref.)

• **Active Power Dissipation**

Unit : mW

Speed	Refresh Cycle	
	4K	2K
-5	495	605
-6	440	550

- Extended Data Out mode operation (Fast Page Mode with Extended Data Out)
- Four separate  $\overline{\text{CAS}}$  pins provide for separate I/O operation
- $\overline{\text{CAS}}$ -before- $\overline{\text{RAS}}$  refresh capability
- $\overline{\text{RAS}}$ -only and Hidden refresh capability
- Self-refresh capability (L-ver only)
- Fast parallel test mode capability
- TTL compatible inputs and outputs
- Early Write or output enable controlled write
- JEDEC Standard pinout
- Available in Plastic SOJ and TSOP(II) packages
- Single +5V±10% power supply

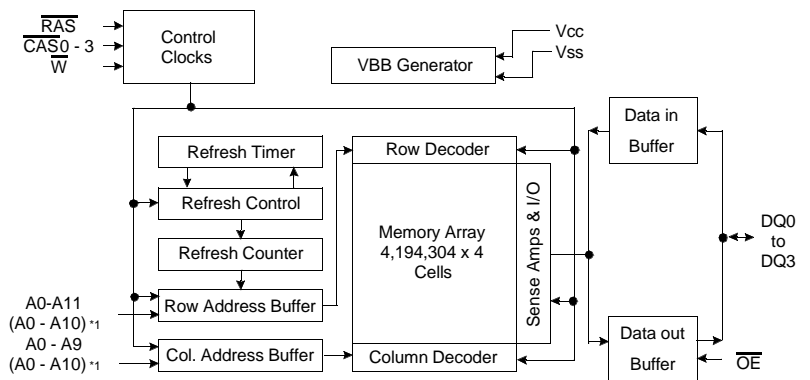
• **Refresh Cycles**

Part NO.	Refresh cycle	Refresh period	
		Normal	L-ver
C4005C	4K	64ms	128ms
C4105C	2K	32ms	

• **Performance Range**

Speed	t <sub>RAC</sub>	t <sub>CAC</sub>	t <sub>RC</sub>	t <sub>HPC</sub>
-5	50ns	13ns	84ns	20ns
-6	60ns	15ns	104ns	25ns

**FUNCTIONAL BLOCK DIAGRAM**

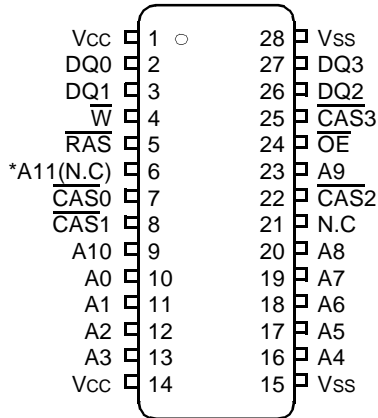


Note) \*1 : 2K Refresh

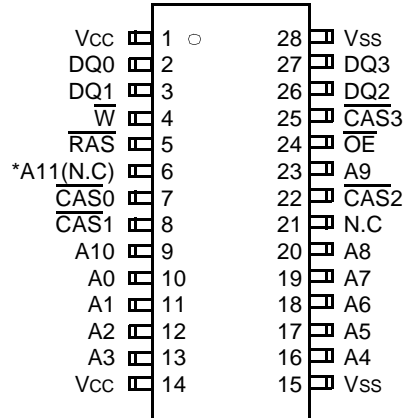
**SAMSUNG ELECTRONICS CO., LTD.** reserves the right to change products and specifications without notice.

PIN CONFIGURATION (Top Views)

•KM44C40(1)05CK



•KM44C40(1)05CS



\*A11 is N.C for KM44C4105C(5V, 2K Ref. product)

K : 300mil 28 SOJ  
S : 300mil 28 TSOP II

Pin Name	Pin Function
A0 - A11	Address Inputs (4K Product)
A0 - A10	Address Inputs (2K Product)
DQ0 - 3	Data In/Out
Vss	Ground
$\overline{\text{RAS}}$	Row Address Strobe
$\overline{\text{CAS0}}\sim\overline{\text{CAS3}}$	Column Address Strobe
$\overline{\text{W}}$	Read/Write Input
$\overline{\text{OE}}$	Data Output Enable
Vcc	Power(+5.0V)
N.C	No Connection

**ABSOLUTE MAXIMUM RATINGS**

Parameter	Symbol	Rating	Units
Voltage on any pin relative to Vss	V <sub>IN</sub> ,V <sub>OUT</sub>	-1.0 to +7.0	V
Voltage on Vcc supply relative to Vss	V <sub>CC</sub>	-1.0 to +7.0	V
Storage Temperature	T <sub>stg</sub>	-55 to +150	°C
Power Dissipation	P <sub>D</sub>	1	W
Short Circuit Output Current	I <sub>OS</sub>	50	mA

\* Permanent device damage may occur if "ABSOLUTE MAXIMUM RATINGS" are exceeded. Functional operation should be restricted to the conditions as detailed in the operational sections of this data sheet. Exposure to absolute maximum rating conditions for extended periods may affect device reliability.

**RECOMMENDED OPERATING CONDITIONS** (Voltage referenced to Vss, T<sub>A</sub>= 0 to 70°C)

Parameter	Symbol	Min	Typ	Max	Units
Supply Voltage	V <sub>CC</sub>	4.5	5.0	5.5	V
Ground	V <sub>SS</sub>	0	0	0	V
Input High Voltage	V <sub>IH</sub>	2.4	-	V <sub>CC</sub> +1.0* <sup>1</sup>	V
Input Low Voltage	V <sub>IL</sub>	-1.0* <sup>2</sup>	-	0.8	V

\*1 : V<sub>CC</sub>+2.0V/20ns, Pulse width is measured at V<sub>CC</sub>

\*2 : -2.0/20ns, Pulse width is measured at V<sub>SS</sub>

**DC AND OPERATING CHARACTERISTICS** (Recommended operating conditions unless otherwise noted.)

Parameter	Symbol	Min	Max	Units
Input Leakage Current (Any input 0≤V <sub>IN</sub> ≤V <sub>IN</sub> +0.5V, all other input pins not under test=0 Volt)	I <sub>I(L)</sub>	-5	5	uA
Output Leakage Current (Data out is disabled, 0V≤V <sub>OUT</sub> ≤V <sub>CC</sub> )	I <sub>O(L)</sub>	-5	5	uA
Output High Voltage Level(I <sub>OH</sub> =-5mA)	V <sub>OH</sub>	2.4	-	V
Output Low Voltage Level(I <sub>OL</sub> =4.2mA)	V <sub>OL</sub>	-	0.4	V



**DC AND OPERATING CHARACTERISTICS** (Continued)

Symbol	Power	Speed	Max		Units
			KM44C4005C	KM44C4105C	
I <sub>CC1</sub>	Don't care	-5 -6	90	110	mA mA mA
			80	100	
I <sub>CC2</sub>	Normal L	Don't care	2	2	mA mA
			1	1	
I <sub>CC3</sub>	Don't care	-5 -6	90	110	mA mA mA
			80	100	
I <sub>CC4</sub>	Don't care	-5 -6	80	90	mA mA mA
			70	80	
I <sub>CC5</sub>	Normal L	Don't care	1	1	mA uA
			250	250	
I <sub>CC6</sub>	Don't care	-5 -6	90	110	mA mA mA
			80	100	
I <sub>CC7</sub>	L	Don't care	300	300	uA
I <sub>CCS</sub>	L	Don't care	250	250	uA

I<sub>CC1</sub>\* : Operating Current ( $\overline{RAS}$  and  $\overline{CAS}$  cycling @trc=min.)

I<sub>CC2</sub> : Standby Current ( $\overline{RAS}=\overline{CAS}=\overline{W}=V_{IH}$ )

I<sub>CC3</sub>\* :  $\overline{RAS}$ -only Refresh Current ( $\overline{CAS}=V_{IH}$ ,  $\overline{RAS}$  cycling @trc=min.)

I<sub>CC4</sub>\* : Hyper Page Mode Current ( $\overline{RAS}=V_{IL}$ ,  $\overline{CAS}$ , Address cycling @tHPC=min.)

I<sub>CC5</sub> : Standby Current ( $\overline{RAS}=\overline{CAS}=\overline{W}=V_{CC}-0.2V$ )

I<sub>CC6</sub>\* :  $\overline{CAS}$ -Before- $\overline{RAS}$  Refresh Current ( $\overline{RAS}$  and  $\overline{CAS}$  cycling @trc=min.)

I<sub>CC7</sub> : Battery back-up current, Average power supply current, Battery back-up mode

Input high voltage( $V_{IH}$ )= $V_{CC}-0.2V$ , Input low voltage( $V_{IL}$ )= $0.2V$ ,  $\overline{CAS}=0.2V$ ,

DQ=Don't care, TRC=31.25us(4K/L-ver), 62.5us(2K/L-ver), TRAS=TRASmin~300ns

I<sub>CCS</sub> : Self Refresh Current

$\overline{RAS}=\overline{CAS}=0.2V$ ,  $\overline{W}=\overline{OE}=A0 \sim A11=V_{CC}-0.2V$  or  $0.2V$ ,

DQ0 ~ DQ3= $V_{CC}-0.2V$ ,  $0.2V$  or Open

**\*Note :** I<sub>CC1</sub>, I<sub>CC3</sub>, I<sub>CC4</sub> and I<sub>CC6</sub> are dependent on output loading and cycle rates. Specified values are obtained with the output open. I<sub>CC</sub> is specified as an average current. In I<sub>CC1</sub>, I<sub>CC3</sub> and I<sub>CC6</sub> address can be changed maximum once while  $\overline{RAS}=V_{IL}$ . In I<sub>CC4</sub>, address can be changed maximum once within one Hyper page mode cycle time, tHPC.

**CAPACITANCE** (TA=25°C, VCC=5V, f=1MHz)

Parameter	Symbol	Min	Max	Units
Input capacitance [A0 ~ A11]	CIN1	-	5	pF
Input capacitance [ $\overline{\text{RAS}}$ , $\overline{\text{CASx}}$ , $\overline{\text{W}}$ , $\overline{\text{OE}}$ ]	CIN2	-	7	pF
Output capacitance [DQ0 - DQ3]	CDQ	-	7	pF

**AC CHARACTERISTICS** (0°C ≤ TA ≤ 70°C, See note 1,2)

Test condition : VCC=5.0V±10%, VIH/VIL=2.4/0.8V, VOH/VOL=2.0/0.8V

Parameter	Symbol	-5		-6		Units	Notes
		Min	Max	Min	Max		
Random read or write cycle time	trc	84		104		ns	
Read-modify-write cycle time	trWC	106		140		ns	
Access time from $\overline{\text{RAS}}$	trAC		50		60	ns	3,4,10
Access time from $\overline{\text{CAS}}$	trAC		13		15	ns	3,4,5,20
Access time from column address	tAA		25		30	ns	3,10
$\overline{\text{CAS}}$ to output in Low-Z	tCLZ	3		3		ns	3,20
Output buffer turn-off delay from $\overline{\text{CAS}}$	tCEZ	3	13	3	15	ns	6,13
$\overline{\text{OE}}$ to output in Low-Z	tOLZ	3		3		ns	3
Transition time (rise and fall)	tr	2	50	2	50	ns	2
$\overline{\text{RAS}}$ precharge time	trP	30		40		ns	
$\overline{\text{RAS}}$ pulse width	trAS	50	10K	60	10K	ns	
$\overline{\text{RAS}}$ hold time	trSH	13		15		ns	16
$\overline{\text{CAS}}$ hold time	tCSH	38		45		ns	19
$\overline{\text{CAS}}$ pulse width	tCAS	8	10K	10	10K	ns	25
$\overline{\text{RAS}}$ to $\overline{\text{CAS}}$ delay time	trCD	20	37	20	45	ns	4,18
$\overline{\text{RAS}}$ to column address delay time	trAD	15	25	15	30	ns	10
$\overline{\text{CAS}}$ to $\overline{\text{RAS}}$ precharge time	trCP	5		5		ns	17
Row address set-up time	tASR	0		0		ns	
Row address hold time	trAH	10		10		ns	
Column address set-up time	tASC	0		0		ns	18
Column address hold time	tCAH	8		10		ns	18
Column address to $\overline{\text{RAS}}$ lead time	trAL	25		30		ns	
Read command set-up time	trCS	0		0		ns	
Read command hold time referenced to $\overline{\text{CAS}}$	trCH	0		0		ns	8,17
Read command hold time referenced to $\overline{\text{RAS}}$	trRH	0		0		ns	8
Write command hold time	twCH	10		10		ns	16
Write command pulse width	twP	10		10		ns	
Write command to $\overline{\text{RAS}}$ lead time	trWL	13		15		ns	
Write command to $\overline{\text{CAS}}$ lead time	twL	8		10		ns	19

AC CHARACTERISTICS (Continued)

Parameter	Symbol	-5		-6		Units	Notes
		Min	Max	Min	Max		
Data set-up time	tDS	0		0		ns	9
Data hold time	tDH	8		10		ns	9
Refresh period (2K, Normal)	tREF		32		32	ms	
Refresh period (4K, Normal)	tREF		64		64	ms	
Refresh period (L-ver)	tREF		128		128	ms	
Write command set-up time	tWCS	0		0		ns	7,18
$\overline{\text{CAS}}$ to $\overline{\text{W}}$ delay time	tCWD	30		34		ns	7,16
$\overline{\text{RAS}}$ to $\overline{\text{W}}$ delay time	tRWD	67		79		ns	7
Column address to $\overline{\text{W}}$ delay time	tAWD	42		49		ns	7
$\overline{\text{CAS}}$ precharge to $\overline{\text{W}}$ delay time	tCPWD	47		54		ns	7
$\overline{\text{CAS}}$ set-up time ( $\overline{\text{CAS}}$ -before- $\overline{\text{RAS}}$ refresh)	tCSR	5		5		ns	18
$\overline{\text{CAS}}$ hold time ( $\overline{\text{CAS}}$ -before- $\overline{\text{RAS}}$ refresh)	tCHR	10		10		ns	17
$\overline{\text{RAS}}$ to $\overline{\text{CAS}}$ precharge time	tRPC	5		5		ns	18
Access time from $\overline{\text{CAS}}$ precharge	tCPA		28		35	ns	3,17
Hyper Page mode cycle time	tHPC	20		24		ns	14,21
Hyper Page read-modify-write cycle time	tHPRWC	62		71		ns	14,21
$\overline{\text{CAS}}$ precharge time (Hyper Page cycle)	tCP	8		10		ns	22
$\overline{\text{RAS}}$ pulse width (Hyper Page cycle)	tRASP	50	200K	60	200K	ns	
$\overline{\text{RAS}}$ hold time from $\overline{\text{CAS}}$ precharge	tRHCP	30		35		ns	
$\overline{\text{OE}}$ access time	tOEA		13		15	ns	23
$\overline{\text{OE}}$ to data delay	tOED	13		15		ns	24
Output buffer turn off delay time from $\overline{\text{OE}}$	tOEZ	3	13	3	15	ns	6
$\overline{\text{OE}}$ command hold time	tOEH	13		15		ns	
Write command set-up time (Test mode in)	tWTS	10		10		ns	11
Write command hold time (Test mode in)	tWTH	10		10		ns	11
$\overline{\text{W}}$ to $\overline{\text{RAS}}$ precharge time ( $\overline{\text{C-B-R}}$ refresh)	tWRP	10		10		ns	
$\overline{\text{W}}$ to $\overline{\text{RAS}}$ hold time ( $\overline{\text{C-B-R}}$ refresh)	tWRH	10		10		ns	
Output data hold time	tDOH	5		5		ns	
Output buffer turn off delay from $\overline{\text{RAS}}$	tREZ	3	13	3	15	ns	6,13
Output buffer turn off delay from $\overline{\text{W}}$	tWEZ	3	13	3	15	ns	6
$\overline{\text{W}}$ to data delay	tWED	15		15		ns	
$\overline{\text{OE}}$ to $\overline{\text{CAS}}$ hold time	tOCH	5		5		ns	
$\overline{\text{CAS}}$ hold time to $\overline{\text{OE}}$	tCHO	5		5		ns	
$\overline{\text{OE}}$ precharge time	tOEP	5		5		ns	
$\overline{\text{W}}$ pulse width (Hyper Page Cycle)	tWPE	5		5		ns	
$\overline{\text{RAS}}$ pulse width ( $\overline{\text{C-B-R}}$ self refresh)	tRASS	100		100		us	27,28,29
$\overline{\text{RAS}}$ precharge time ( $\overline{\text{C-B-R}}$ self refresh)	tRPS	90		110		ns	27,28,29
$\overline{\text{CAS}}$ hold time ( $\overline{\text{C-B-R}}$ self refresh)	tCHS	-50		-50		ns	27,28,29
Hold time $\overline{\text{CAS}}$ low to $\overline{\text{CAS}}$ high	tCLCH	5		5		ns	15,26

TEST MODE CYCLE

( Note 11 )

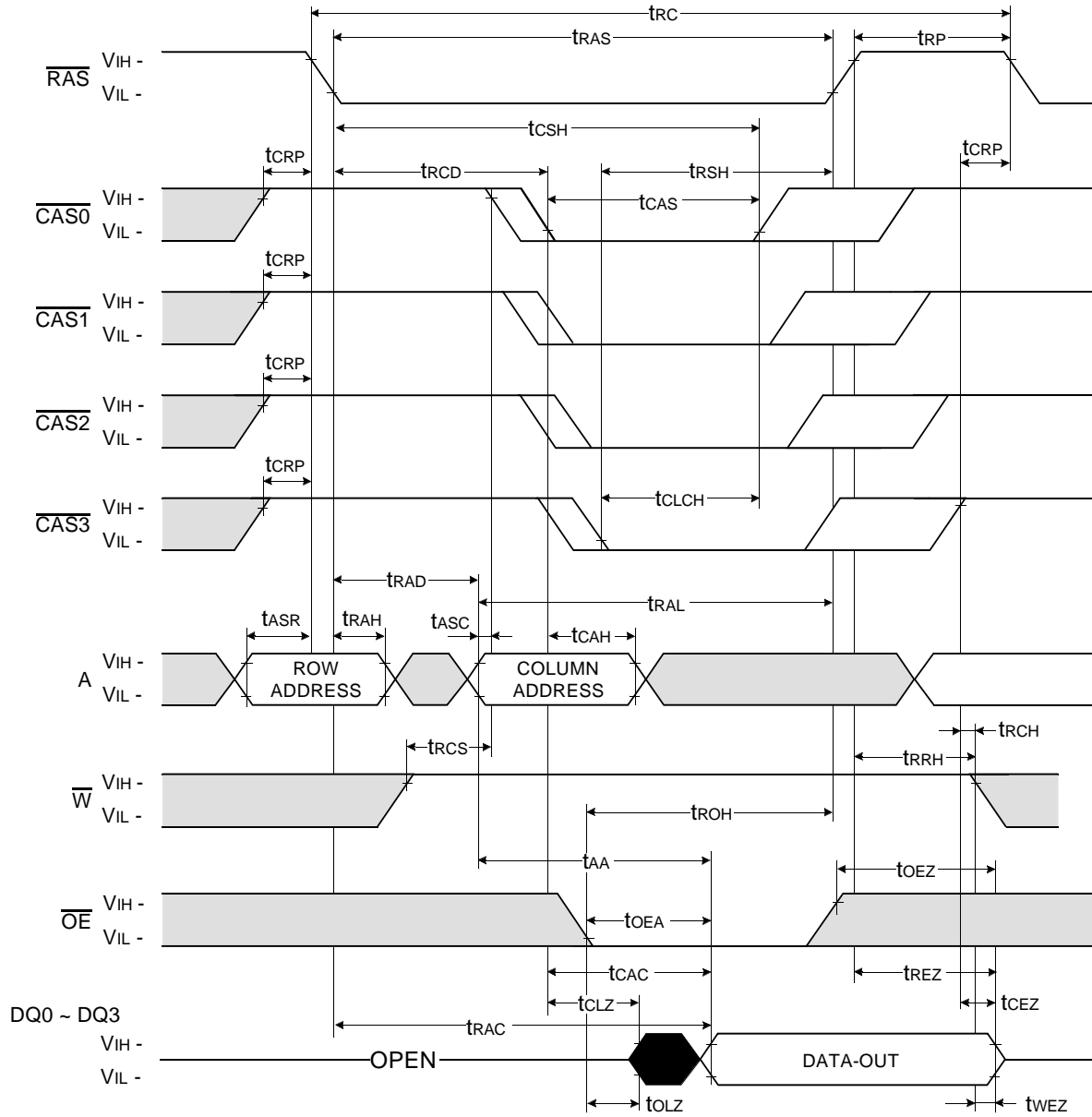
Parameter	Symbol	-5		-6		Units	Notes
		Min	Max	Min	Max		
Random read or write cycle time	t <sub>RC</sub>	89		109		ns	
Read-modify-write cycle time	t <sub>RWC</sub>	121		145		ns	
Access time from $\overline{\text{RAS}}$	t <sub>RAC</sub>		55		65	ns	3,4,10,12
Access time from $\overline{\text{CAS}}$	t <sub>CAC</sub>		18		20	ns	3,4,5,12
Access time from column address	t <sub>AA</sub>		30		35	ns	3,10,12
$\overline{\text{RAS}}$ pulse width	t <sub>RAS</sub>	55	10K	65	10K	ns	
$\overline{\text{CAS}}$ pulse width	t <sub>CAS</sub>	13	10K	15	10K	ns	
$\overline{\text{RAS}}$ hold time	t <sub>RSH</sub>	18		20		ns	
$\overline{\text{CAS}}$ hold time	t <sub>CSH</sub>	43		50		ns	
Column address to $\overline{\text{RAS}}$ lead time	t <sub>RAL</sub>	30		35		ns	
$\overline{\text{CAS}}$ to $\overline{\text{W}}$ delay time	t <sub>CWD</sub>	35		39		ns	7
$\overline{\text{RAS}}$ to $\overline{\text{W}}$ delay time	t <sub>RWD</sub>	72		84		ns	7
Column address to $\overline{\text{W}}$ delay time	t <sub>AWD</sub>	47		54		ns	7
$\overline{\text{CAS}}$ precharge to $\overline{\text{W}}$ delay time	t <sub>CPWD</sub>	52		59		ns	7
Hyper Page mode cycle time	t <sub>HPC</sub>	25		30		ns	14
Hyper Page read-modify-write cycle time	t <sub>HPRWC</sub>	52		61		ns	14
$\overline{\text{RAS}}$ pulse width (Hyper Page cycle)	t <sub>RASP</sub>	55	200K	65	200K	ns	
Access time from $\overline{\text{CAS}}$ precharge	t <sub>CPA</sub>		33		40	ns	3
$\overline{\text{OE}}$ access time	t <sub>OEA</sub>		18		20	ns	
$\overline{\text{OE}}$ to data delay	t <sub>OED</sub>	18		20		ns	
$\overline{\text{OE}}$ command hold time	t <sub>OEH</sub>	18		20		ns	

## NOTES

1. An initial pause of 200us is required after power-up followed by any 8  $\overline{\text{RAS}}$ -only refresh or  $\overline{\text{CAS}}$ -before- $\overline{\text{RAS}}$  refresh cycles before proper device operation is achieved.
2.  $V_{IH}(\text{min})$  and  $V_{IL}(\text{max})$  are reference levels for measuring timing of input signals.  
Transition times are measured between  $V_{IH}(\text{min})$  and  $V_{IL}(\text{max})$  and are assumed to be 2ns for all inputs.
3. Measured with a load equivalent to 2 TTL loads and 100pF.
4. Operation within the  $t_{\text{RCD}}(\text{max})$  limit insures that  $t_{\text{RAC}}(\text{max})$  can be met.  $t_{\text{RCD}}(\text{max})$  is specified as a reference point only.  
If  $t_{\text{RCD}}$  is greater than the specified  $t_{\text{RCD}}(\text{max})$  limit, then access time is controlled exclusively by  $t_{\text{CAC}}$ .
5. Assumes the  $t_{\text{RCD}} \geq t_{\text{RCD}}(\text{max})$ .
6. This parameter defines the time at which the output achieves the open circuit condition and is not referenced to  $V_{OH}$  or  $V_{OL}$ .
7.  $t_{\text{WCS}}$ ,  $t_{\text{RWD}}$ ,  $t_{\text{CWD}}$ ,  $t_{\text{AWD}}$  and  $t_{\text{CPWD}}$  are non restrictive operating parameters. They are included in the data sheet as electrical characteristics only. If  $t_{\text{WCS}} \geq t_{\text{WCS}}(\text{min})$ , the cycle is an early write cycle and the data output will remain high impedance for the duration of the cycle. If  $t_{\text{CWD}} \geq t_{\text{CWD}}(\text{min})$ ,  $t_{\text{RWD}} \geq t_{\text{RWD}}(\text{min})$ ,  $t_{\text{AWD}} \geq t_{\text{AWD}}(\text{min})$  and  $t_{\text{CPWD}} \geq t_{\text{CPWD}}(\text{min})$ , then the cycle is a read-modify-write cycle and the data output will contain the data read from the selected address. If neither of the above conditions is satisfied, the condition of the data out is indeterminate.
8.  $t_{\text{RCH}}$  and  $t_{\text{RRH}}$  must be satisfied for a read cycle.
9. These parameters are referenced to the first  $\overline{\text{CAS}}$  falling edge in early write cycles and to  $\overline{\text{W}}$  falling edge in  $\overline{\text{OE}}$  controlled write cycle and read-modify-write cycles.
10. Operation within the  $t_{\text{RAD}}(\text{max})$  limit insures that  $t_{\text{RAC}}(\text{max})$  can be met.  $t_{\text{RAD}}(\text{max})$  is specified as a reference point only.  
If  $t_{\text{RAD}}$  is greater than the specified  $t_{\text{RAD}}(\text{max})$  limit, then access time is controlled by  $t_{\text{AA}}$ .
11. These specifications are applied in the test mode.
12. In test mode read cycle, the values of  $t_{\text{RAC}}$ ,  $t_{\text{AA}}$  and  $t_{\text{CAC}}$  are delayed by 2ns to 5ns for the specified values. These parameters should be specified in test mode cycles by adding 5ns to the specified value in this data sheet.
13. If  $\overline{\text{RAS}}$  goes high before  $\overline{\text{CAS}}$  high going, the open circuit condition of the output is achieved by  $\overline{\text{CAS}}$  high going.  
If  $\overline{\text{CAS}}$  goes high before  $\overline{\text{RAS}}$  high going, the open circuit condition of the output is achieved by  $\overline{\text{RAS}}$  high going.
14.  $t_{\text{ASC}} \geq 6\text{ns}$ , Assume  $t_{\text{T}} = 2.0\text{ns}$ .
15. In order to hold the address latched by the first  $\overline{\text{CAS}}$  going low, the parameter  $t_{\text{CLCH}}$  must be met.
16. The last  $\overline{\text{CASx}}$  edge to go low.
17. The last  $\overline{\text{CASx}}$  edge to go high.
18. The first  $\overline{\text{CASx}}$  edge to go low.
19. The first  $\overline{\text{CASx}}$  edge to go high.
20. Output parameter is referenced to corresponding  $\overline{\text{CASx}}$  input.
21. The last rising  $\overline{\text{CASx}}$  edge to next cycle's last rising  $\overline{\text{CASx}}$  edge.
22. The last rising  $\overline{\text{CASx}}$  edge to first falling  $\overline{\text{CASx}}$  edge.
23. The first DQx controlled by the first  $\overline{\text{CASx}}$  to go low.
24. The last DQx controlled by the last  $\overline{\text{CASx}}$  to go high.
25. Each  $\overline{\text{CASx}}$  must meet minimum pulse width.
26. The last falling  $\overline{\text{CASx}}$  edge to the first rising  $\overline{\text{CASx}}$  edge.
27. If  $t_{\text{RAS}} \geq 100\mu\text{s}$ , then  $\overline{\text{RAS}}$  precharge time must use  $t_{\text{RPS}}$  instead of  $t_{\text{RP}}$ .
28. For  $\overline{\text{RAS}}$ -only refresh and burst  $\overline{\text{CAS}}$ -before- $\overline{\text{RAS}}$  refresh mode, 4096(4K)/2048(2K) cycles of burst refresh must be executed within 64ms/32ms before and after self refresh, in order to meet refresh specification.
29. For distributed  $\overline{\text{CAS}}$ -before- $\overline{\text{RAS}}$  with 15.6us interval,  $\overline{\text{CAS}}$ -before- $\overline{\text{RAS}}$  refresh should be executed with in 15.6us immediately before and after self refresh in order to meet refresh specification.



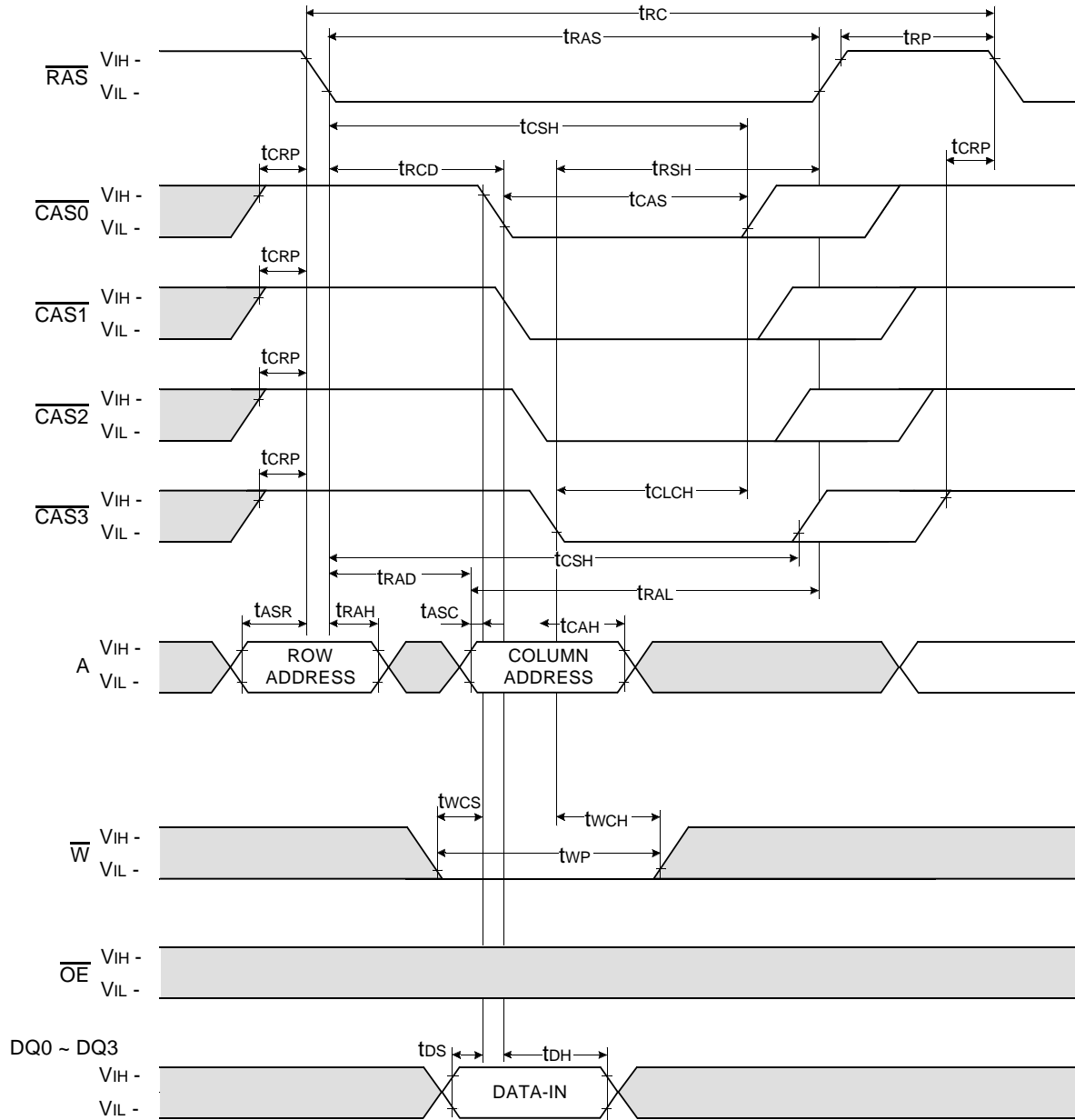
READ CYCLE



Don't care  
 Undefined

WRITE CYCLE ( EARLY WRITE )

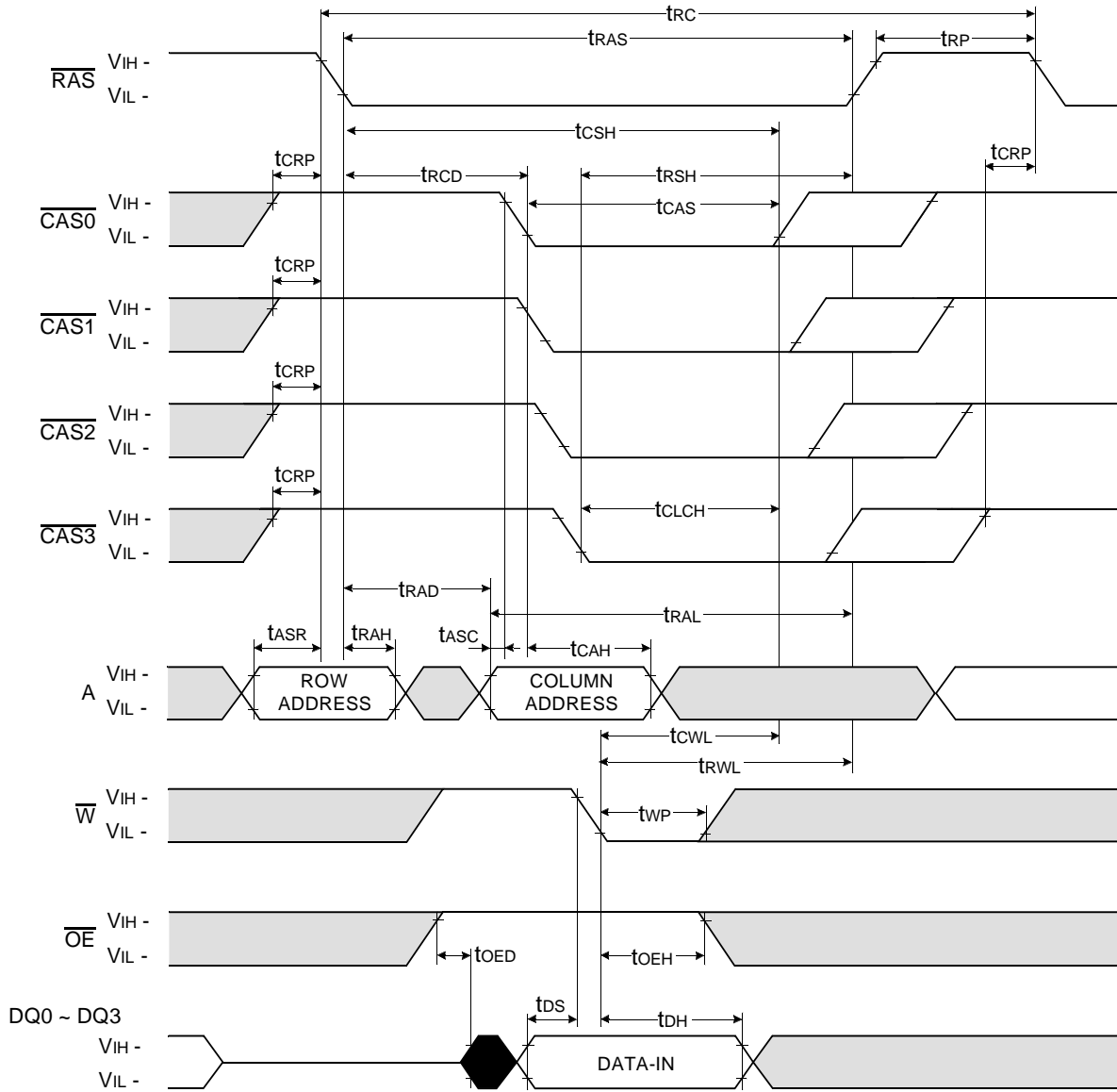
NOTE : DOUT = OPEN



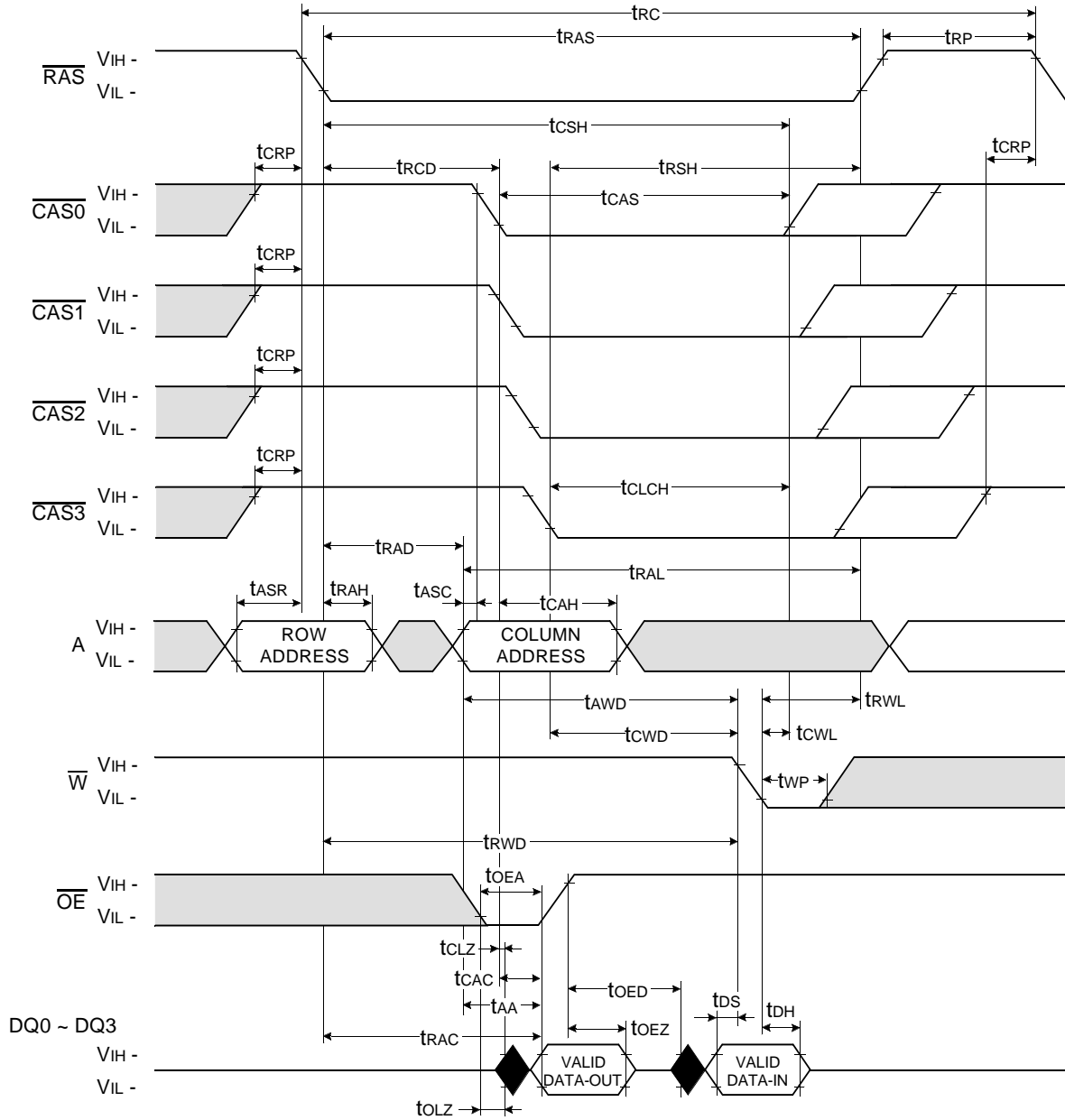
Don't care  
 Undefined

WRITE CYCLE (  $\overline{OE}$  CONTROLLED WRITE )

NOTE : DOUT = OPEN

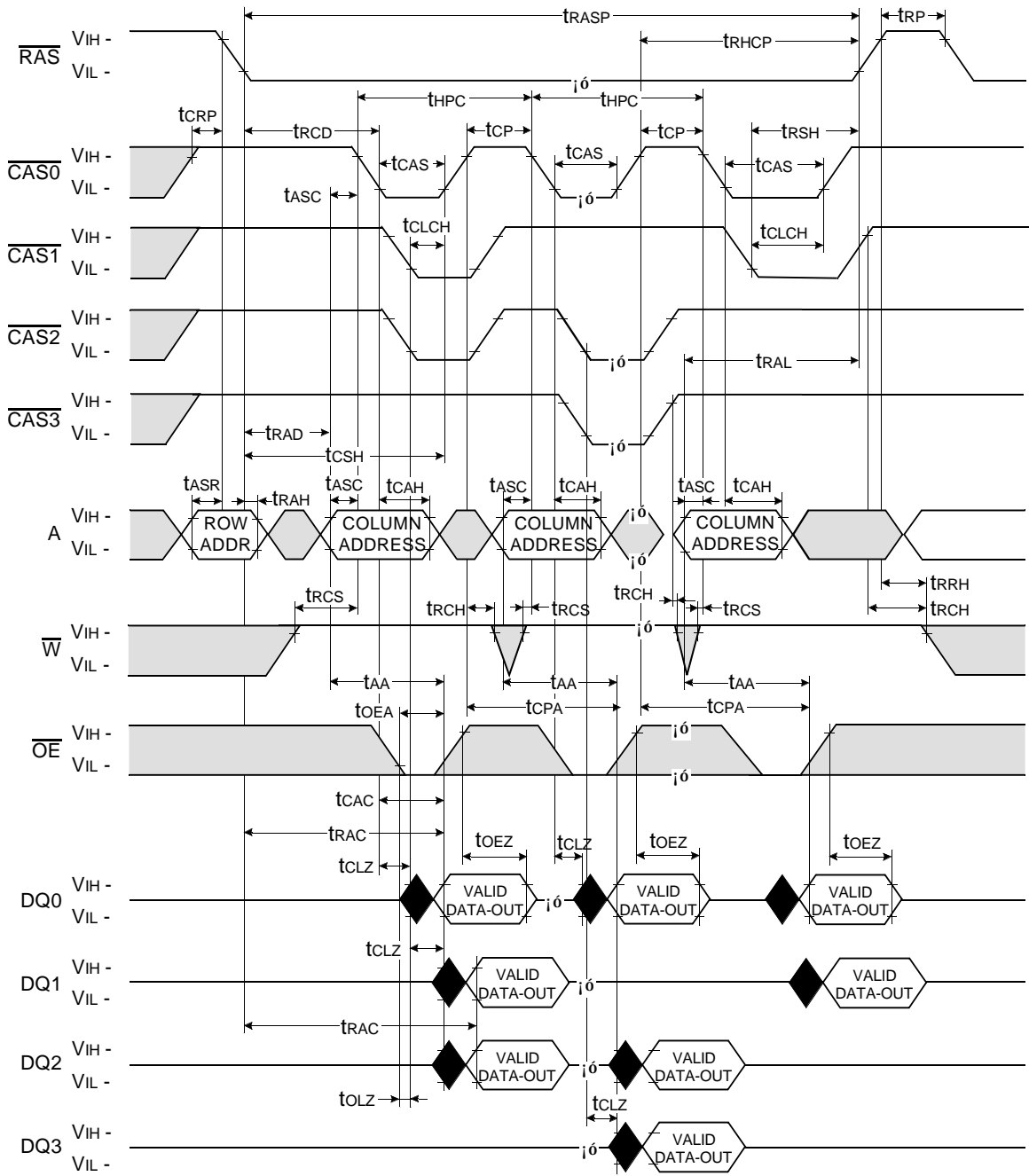


READ - MODIFY - WRITE CYCLE



Don't care  
 Undefined

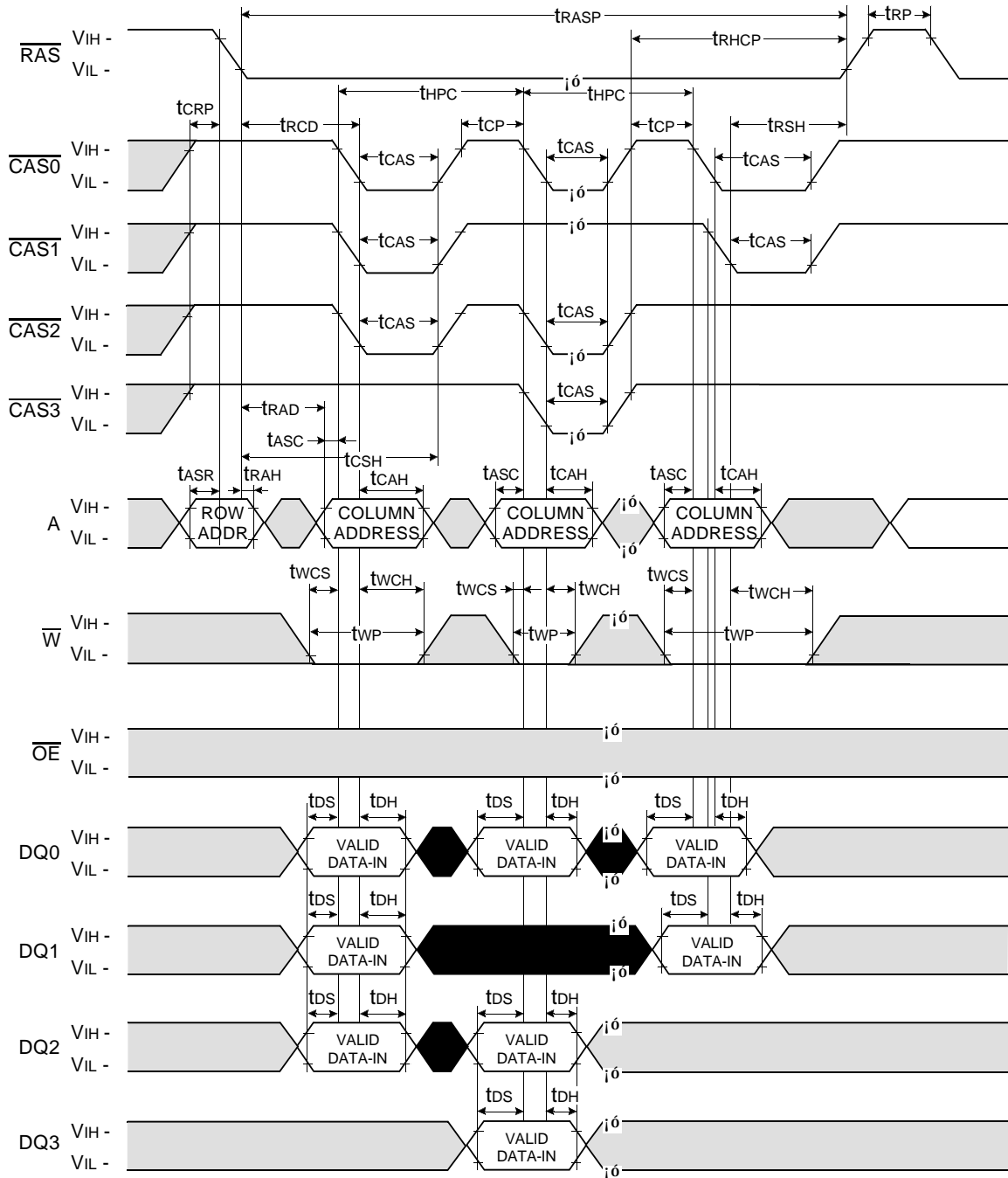
HYPER PAGE MODE READ CYCLE



Don't care  
 Undefined

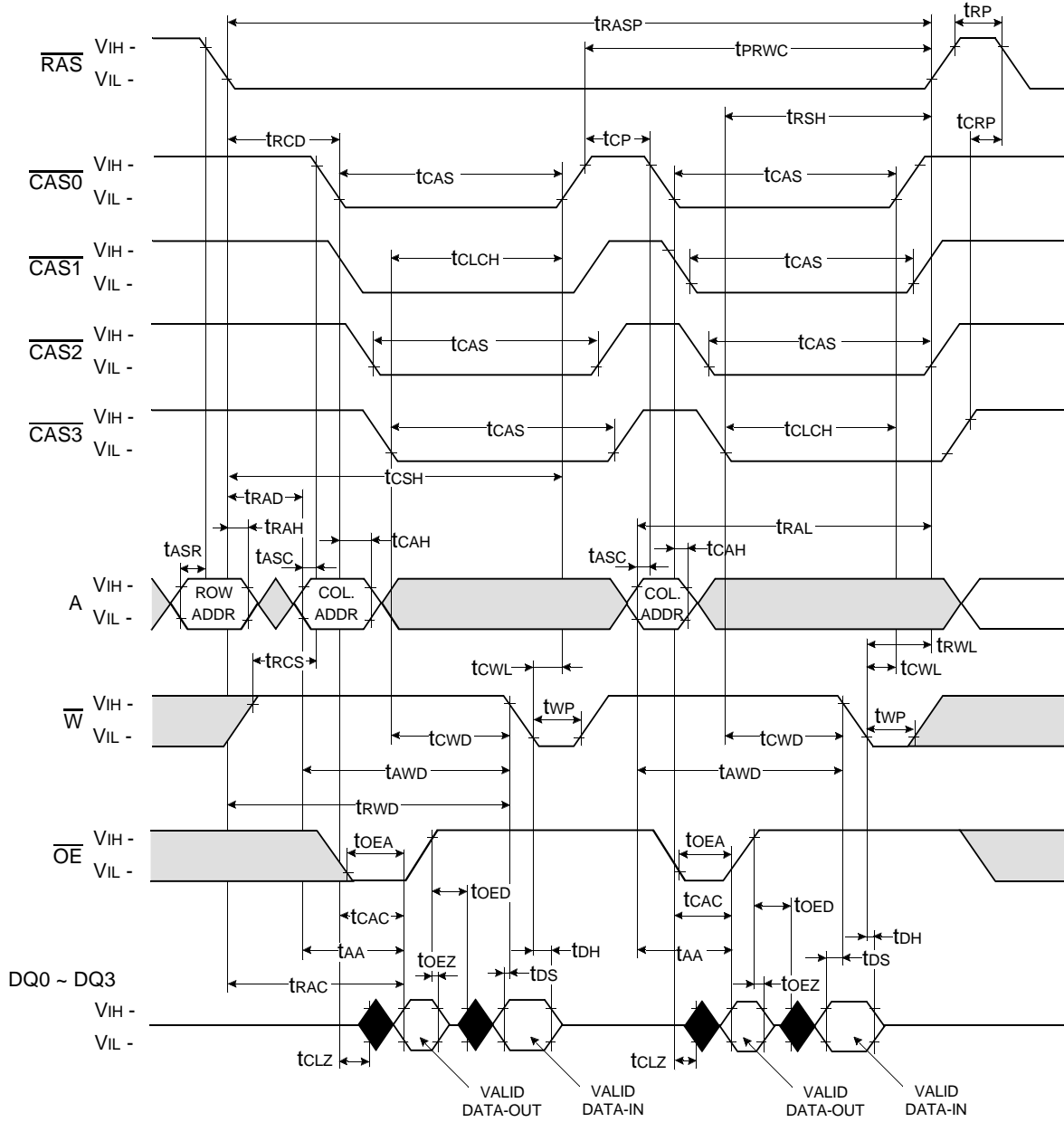
**HYPER PAGE MODE WRITE CYCLE ( EARLY WRITE )**

NOTE : DOUT = OPEN



Don't care  
 Undefined

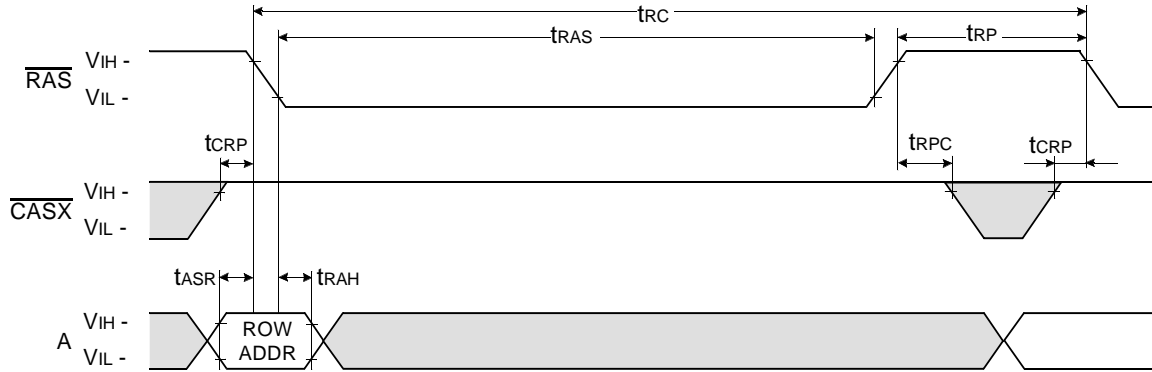
HYPER PAGE READ - MODIFY - WRITE CYCLE



**$\overline{\text{RAS}}$  - ONLY REFRESH CYCLE\***

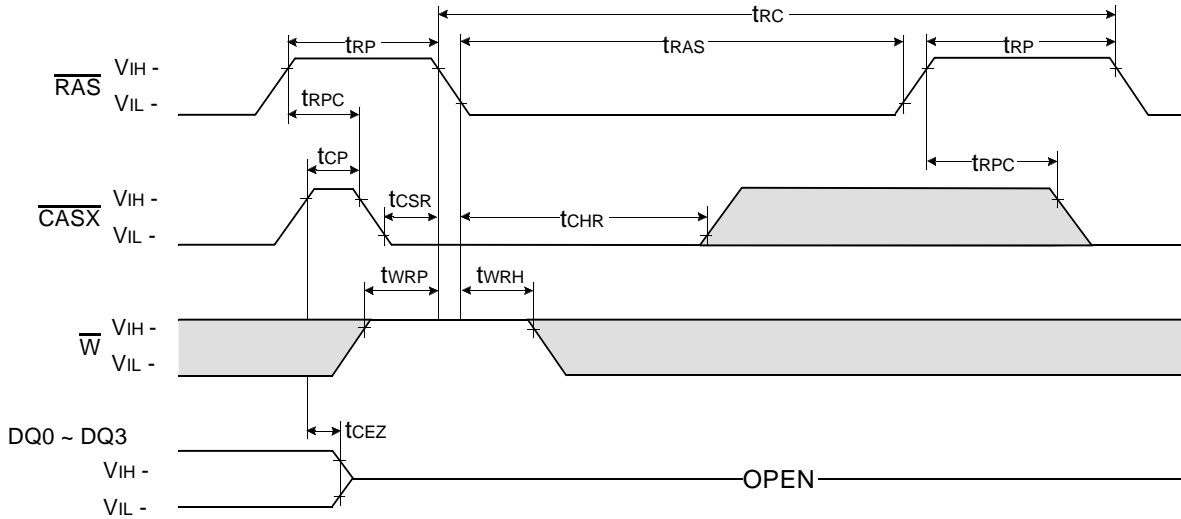
NOTE :  $\overline{\text{W}}$ ,  $\overline{\text{OE}}$ , DIN = Don't care

DOUT = OPEN



**$\overline{\text{CAS}}$  - BEFORE -  $\overline{\text{RAS}}$  REFRESH CYCLE**

NOTE :  $\overline{\text{OE}}$ , A = Don't care



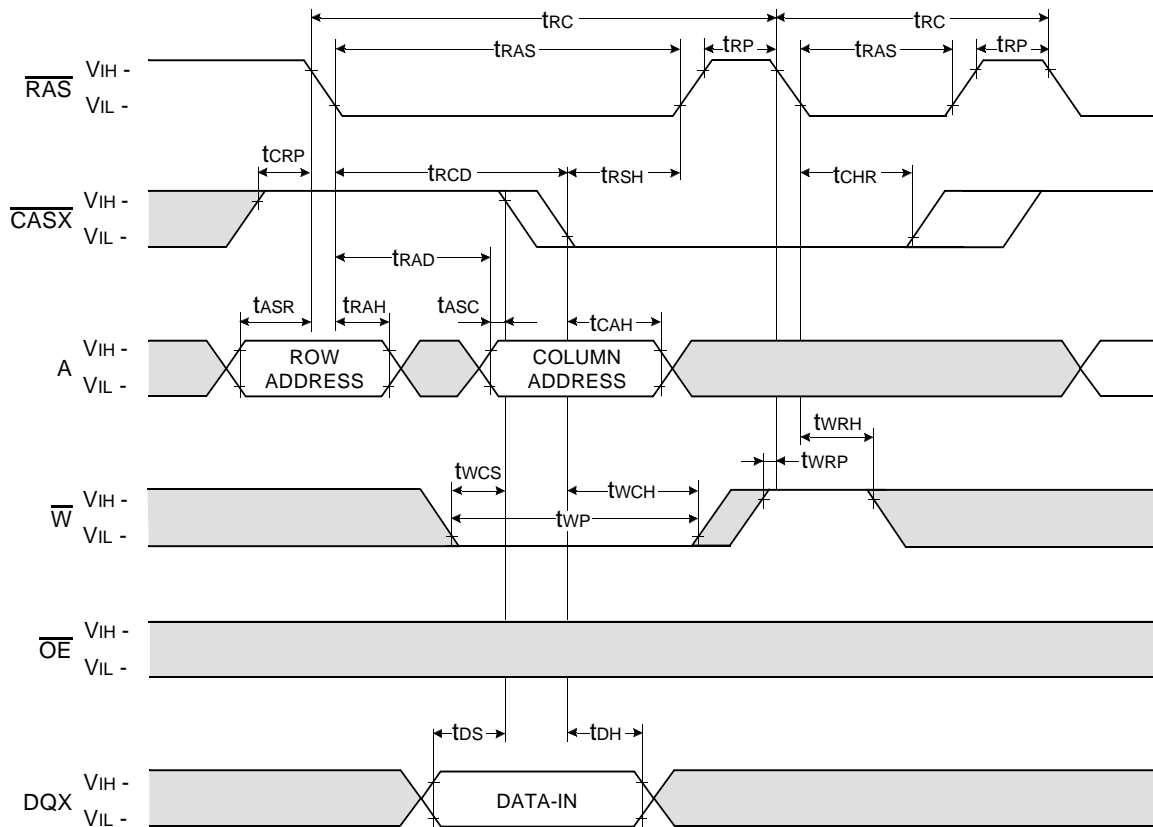
Don't care  
 Undefined





**HIDDEN REFRESH CYCLE ( WRITE )**

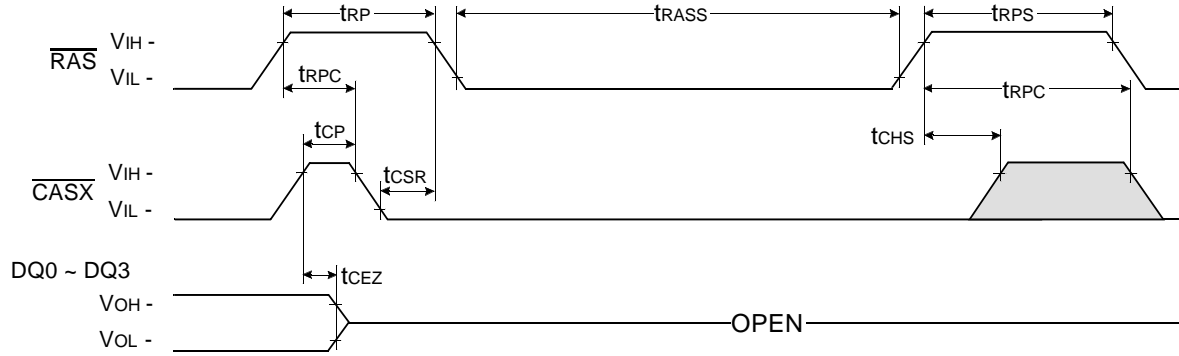
NOTE : DOUT = OPEN



□ Don't care  
 ■ Undefined

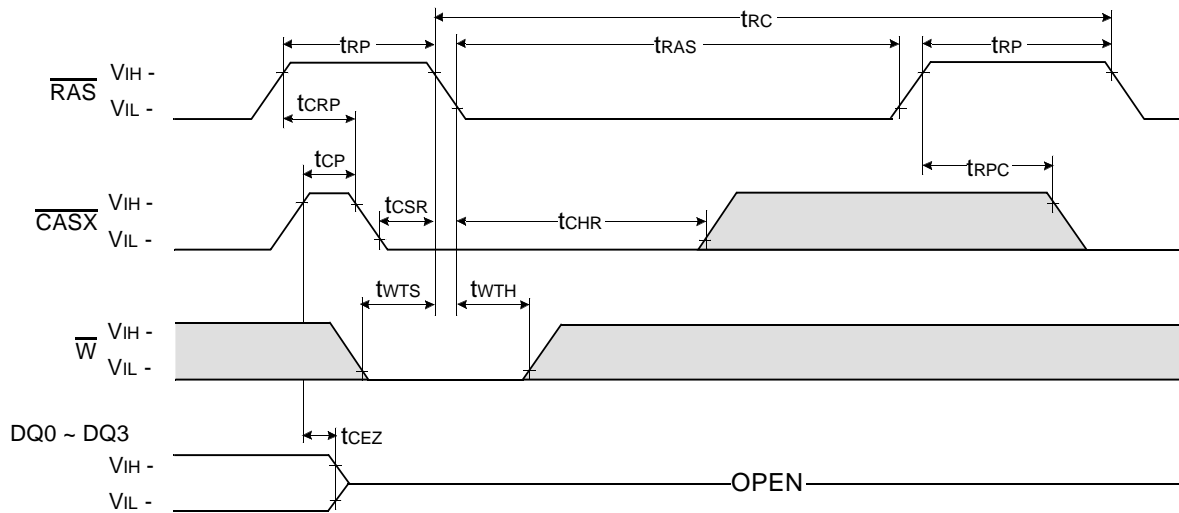
**$\overline{\text{CAS}}$  - BEFORE -  $\overline{\text{RAS}}$  SELF REFRESH CYCLE**

NOTE :  $\overline{\text{OE}}$ , A = Don't care,  $\overline{\text{WE}} = V_{cc} - 0.2V$



**TEST MODE IN CYCLE**

NOTE :  $\overline{\text{OE}}$ , A = Don't care



Don't care  
 Undefined

**PACKAGE DIMENSION**

