

CMSH3-100MHV
 CMSH3-150MHV
 CMSH3-200MHV

**SURFACE MOUNT
 SILICON SCHOTTKY RECTIFIER
 3 AMP, 100 THRU 200 VOLTS**



SMB CASE



www.centrasemi.com

DESCRIPTION:

The CENTRAL SEMICONDUCTOR CMSH3-100MHV Series 3.0 Amp Surface Mount Silicon Schottky Rectifier is a high quality, well constructed, highly reliable component designed for use in all types of commercial, industrial, entertainment, computer, and lighting applications. To order devices on 12mm Tape and Reel (3000/13" Reel), add TR13 suffix to part number.

MARKING CODE: SEE MARKING CODE TABLE ON FOLLOWING PAGE

FEATURES:

- High voltage capability
- Flammability classification UL94V-0
- Energy efficiency
- High reliability
- "C" bend construction provides strain relief when mounted on PC board

MAXIMUM RATINGS: ($T_A=25^\circ\text{C}$ unless otherwise noted)

	SYMBOL	CMSH3 -100MHV	CMSH3 -150MHV	CMSH3 -200MHV	UNITS
Peak Repetitive Reverse Voltage	V_{RRM}	100	150	200	V
DC Blocking Voltage	V_R	100	150	200	V
RMS Reverse Voltage	$V_{R(RMS)}$	70	105	140	V
Average Forward Current ($T_L=125^\circ\text{C}$)	I_O		3.0		A
Peak Forward Surge Current, $t_p=8.3\text{ms}$	I_{FSM}		80		A
Operating and Storage Junction Temperature	T_J, T_{stg}		-65 to +175		$^\circ\text{C}$
Thermal Resistance	θ_{JL}		20		$^\circ\text{C/W}$

ELECTRICAL CHARACTERISTICS: ($T_A=25^\circ\text{C}$ unless otherwise noted)

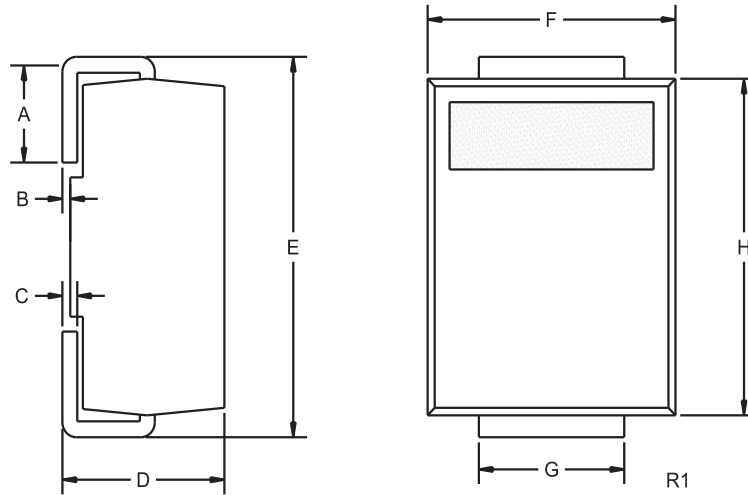
SYMBOL	TEST CONDITIONS	MIN	MAX	UNITS
I_R	V_R =Rated V_{RRM}		50	μA
I_R	V_R =Rated V_{RRM} , $T_J=100^\circ\text{C}$		20	mA
V_F	$I_F=3.0\text{A}$ (CMSH3-100MHV)		0.80	V
V_F	$I_F=3.0\text{A}$ (CMSH3-150MHV, -200MHV)		0.90	V

CMSH3-100MHV
 CMSH3-150MHV
 CMSH3-200MHV



SURFACE MOUNT
 SILICON SCHOTTKY RECTIFIER
 3 AMP, 100 THRU 200 VOLTS

SMB CASE - MECHANICAL OUTLINE



DEVICE	MARKING CODE
CMSH3-100MHV	CS310MHV
CMSH3-150MHV	CS315MHV
CMSH3-200MHV	CS320MHV

SYMBOL	DIMENSIONS			
	INCHES		MILLIMETERS	
	MIN	MAX	MIN	MAX
A	0.030	0.060	0.76	1.52
B	0.004	0.008	0.10	0.20
C	0.006	0.012	0.15	0.30
D	0.086	0.096	2.18	2.44
E	0.200	0.220	5.08	5.59
F	0.130	0.150	3.30	3.81
G	0.077	0.083	1.96	2.11
H	0.160	0.180	4.06	4.57

SMB (REV: R1)

R1 (22-July 2011)