

PLEASE CHECK WWW.MOLEX.COM FOR LATEST PART INFORMATION

Part Number: [0352840810](#)
Status: **Active**
Description: 2.28mm (.090") Tab Wire-to-Wire Uniconn Housing, Female, 8 Circuits

Documents:

[3D Model](#) [Product Specification PS-35282-001 \(PDF\)](#)
[Drawing \(PDF\)](#) [RoHS Certificate of Compliance \(PDF\)](#)

General

Product Family Crimp Housings
 Series [35284](#)
 Product Name Uniconn

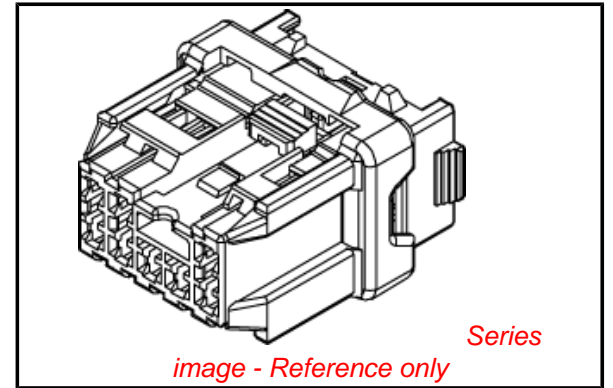
Physical

Circuits (maximum) 8
 Color - Resin Black, Natural
 Gender Female
 Glow-Wire Compliant No
 Material - Resin Polyester
 Number of Rows 2
 Packaging Type Bag
 Panel Mount No
 Pitch - Mating Interface (in) 0.150 In
 Pitch - Mating Interface (mm) 3.80 mm
 Temperature Range - Operating -40°C to +80°C

Material Info

Reference - Drawing Numbers

Product Specification PS-35282-001
 Sales Drawing SD-35284-0810



EU RoHS

**ELV and RoHS
 Compliant**
REACH SVHC
 Not Reviewed
**Halogen-Free
 Status**

China RoHS



**Need more information on product
 environmental compliance?**

Email productcompliance@molex.com
 For a multiple part number RoHS Certificate of
 Compliance, [click here](#)

Please visit the [Contact Us](#) section for any
 non-product compliance questions.

Search Parts in this Series

[35284Series](#)

Mates With

[35282](#)

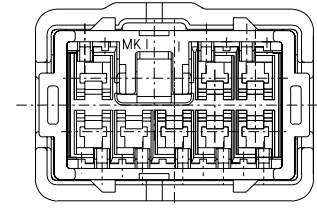
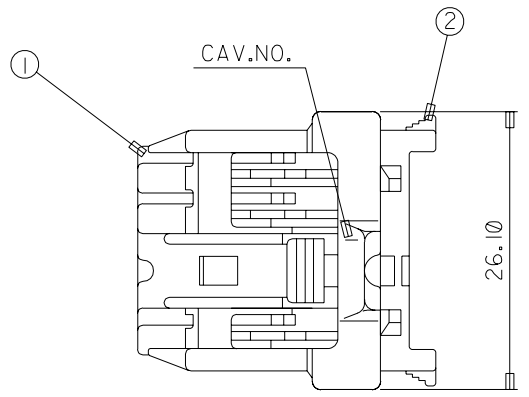
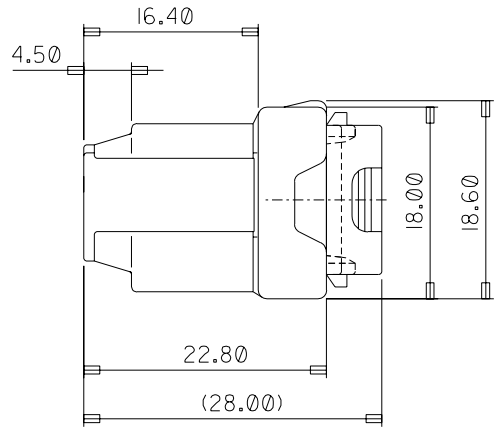
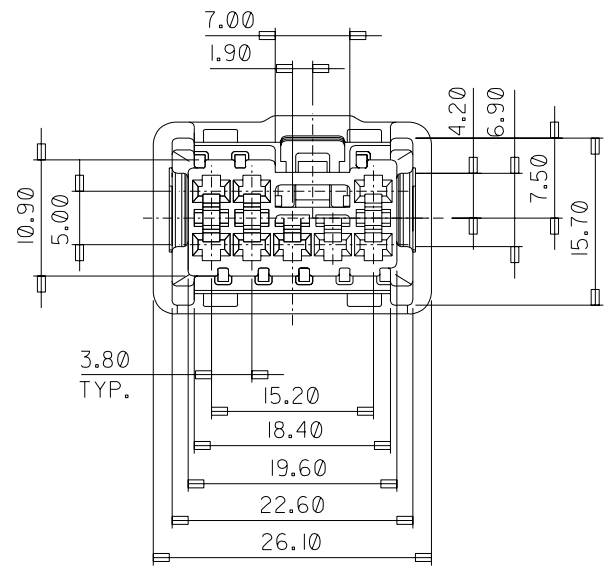
Use With

[35420](#) , [35421](#)

PLEASE CHECK WWW.MOLEX.COM FOR LATEST PART INFORMATION

DO NOT SCALE DRAWING
DIMENSION IN METRIC

PROJECT NO.
SIMILAR ITEM
DWG. NO. SD-35284-0810



	PART NO.	PART NAME	MATERIAL
①	35284-0890	UNICONN FEMALE HOUSING-8P	PBT,NATURAL
②	35285-0881	UNICONN FEMALE TPA-8P	PBT,BLACK

352840810	35284-0810
MATERIAL NO.	ENG. NO.

REVISED
EC NO. KOR2003-0057
DRWN: S.M.KIM 03/09/10
CHKR: C.YOON 03/09/10
APPR: C.W.LEE

QUALITY SYMBOLS
MAJOR
CRITICAL

GENERAL TOLERANCES: (UNLESS SPECIFIED)	SCALE	DESIGN UNITS
4 PLACES ±0.1	1:1	<input checked="" type="checkbox"/> mm <input type="checkbox"/> INCH
3 PLACES ±0.15		
2 PLACES ±0.2		
1 PLACE ±0.30		
ANGULAR: ±1.0°		

DRAWN BY & DATE
W.Y.YANG, 97/11/17
CHECKED BY & DATE
B.K.CHOI, 97/11/17
APPROVED BY & DATE
C.W.LEE, 97/11/17

TITLE: UNICONN FEMALE ASS'Y-8P
MOLEX INCORPORATED
CAD FILENAME: SD2840810.DGN
MATERIAL NO. SEE TABLE
DRAWING NO. SD 35284-0810
SHEET NO. 1/1

DRAFT WHERE APPLICABLE MUST REMAIN WITHIN DIMENSIONS
THIS DRAWING CONTAINS INFORMATION THAT IS PROPRIETARY TO MOLEX INCORPORATED AND SHOULD NOT BE USED WITHOUT WRITTEN PERMISSION.