



SANYO Semiconductors

DATA SHEET

An ON Semiconductor Company

EFC4618R-P — N-Channel Silicon MOSFET General-Purpose Switching Device Applications

Features

- 2.5V drive
- Best suited for LiB charging and discharging switch
- Common-drain type

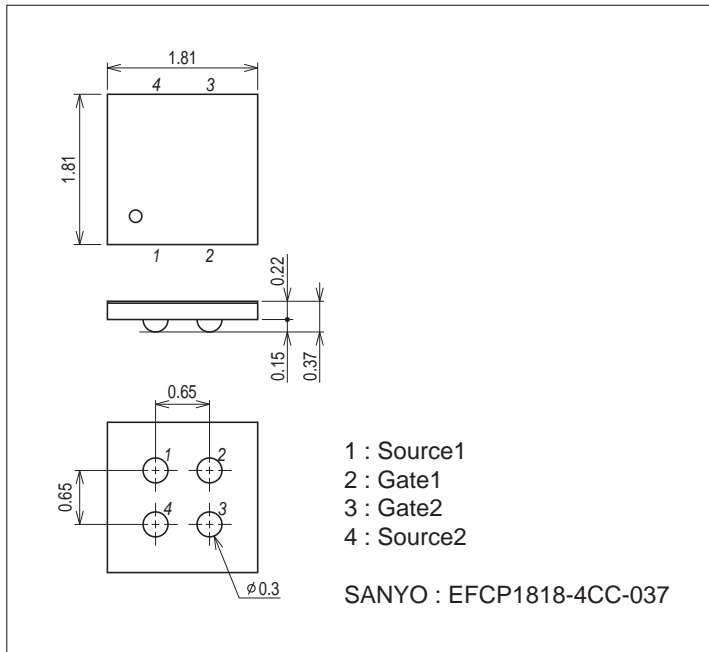
Specifications

Absolute Maximum Ratings at Ta=25°C

Parameter	Symbol	Conditions	Ratings	Unit
Source-to-Source Voltage	V _{SSS}		24	V
Gate-to-Source Voltage	V _{GSS}		±12	V
Source Current (DC)	I _S		6	A
Source Current (Pulse)	I _{SP}	PW≤10μs, duty cycle≤1%	60	A
Total Dissipation	P _T	When mounted on ceramic substrate (5000mm ² ×0.8mm)	1.6	W
Channel Temperature	T _{ch}		150	°C
Storage Temperature	T _{stg}		-55 to +150	°C

Package Dimensions

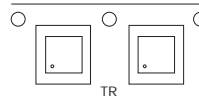
unit : mm (typ)
7069-001



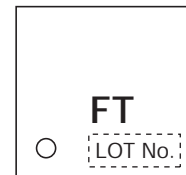
Product & Package Information

- Package : EFCP
- JEITA, JEDEC : -
- Minimum Packing Quantity : 5,000 pcs./reel

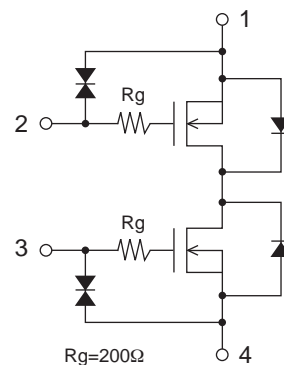
Packing Type : TR



Marking



Electrical Connection



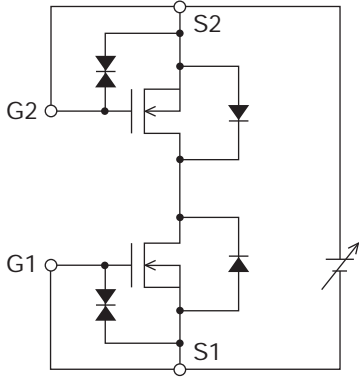
EFC4618R-P

Electrical Characteristics at Ta=25°C

Parameter	Symbol	Conditions	Ratings			Unit	
			min	typ	max		
Source-to-Source Breakdown Voltage	V(BR)SSS	I _S =1mA, V _{GS} =0V	Test Circuit 1	24		V	
Zero-Gate Voltage Source Current	I _{SSS}	V _{SS} =20V, V _{GS} =0V	Test Circuit 1		1	μA	
Gate-to-Source Leakage Current	I _{GSS}	V _{GS} =±8V, V _{SS} =0V	Test Circuit 2		±10	μA	
Cutoff Voltage	V _{GS(off)}	V _{SS} =10V, I _S =1mA	Test Circuit 3	0.5	1.3	V	
Forward Transfer Admittance	y _{fs}	V _{SS} =10V, I _S =3A	Test Circuit 4		6.5	S	
Static Source-to-Source On-State Resistance	R _{SS(on)1}	I _S =3A, V _{GS} =4.5V	Test Circuit 5	13.5	19.8	23	mΩ
	R _{SS(on)2}	I _S =3A, V _{GS} =4.0V	Test Circuit 5	14	20.5	24	mΩ
	R _{SS(on)3}	I _S =3A, V _{GS} =3.7V	Test Circuit 5	14.5	21	25.5	mΩ
	R _{SS(on)4}	I _S =3A, V _{GS} =3.1V	Test Circuit 5	14.9	23	30	mΩ
	R _{SS(on)5}	I _S =3A, V _{GS} =2.5V	Test Circuit 5	18.5	27	35	mΩ
Turn-ON Delay Time	t _{d(on)}	See specified Test Circuit.	Test Circuit 7		200	ns	
Rise Time	t _r	See specified Test Circuit.	Test Circuit 7		815	ns	
Turn-OFF Delay Time	t _{d(off)}	See specified Test Circuit.	Test Circuit 7		1840	ns	
Fall Time	t _f	See specified Test Circuit.	Test Circuit 7		1770	ns	
Total Gate Charge	Q _g	V _{SS} =10V, V _{GS} =4.5V, I _S =6A			25.4	nC	
Forward Source-to-Source Voltage	V _{F(S-S)}	I _S =3A, V _{GS} =0V	Test Circuit 6		0.76	1.2	V

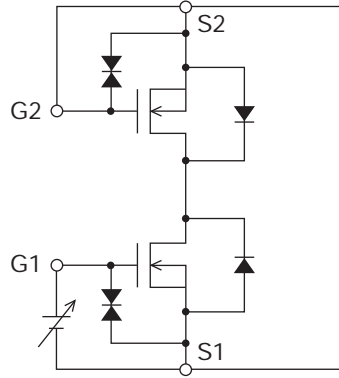
Test circuits are example of measuring FET1 side

Test Circuit 1
V_{SSS} / I_{SSS}



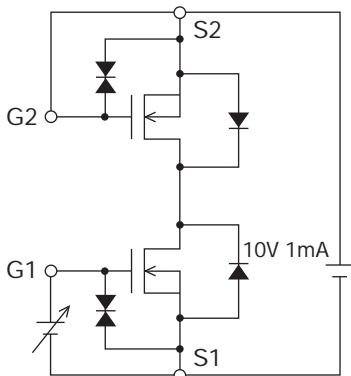
IT11565

Test Circuit 2
I_{GSS}(+) / (-)



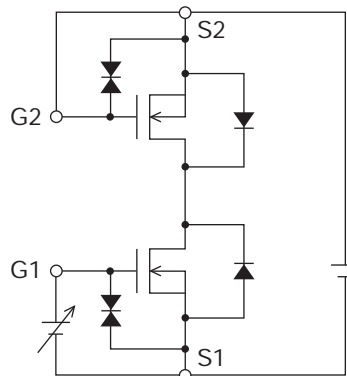
IT11566

Test Circuit 3
V_{GS(off)}



IT11567

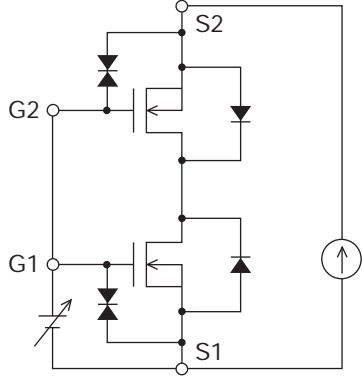
Test Circuit 4
|y_{fs}|



IT11568

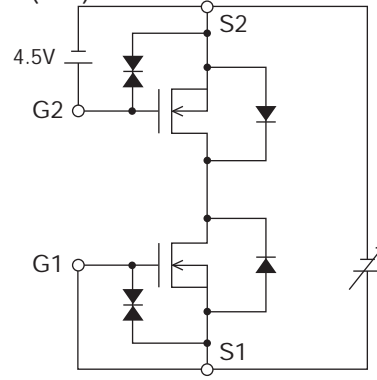
* Note: Connect the measurement terminal reversely if you want to measure the FET2 side.

Test Circuit 5
RSS(on)



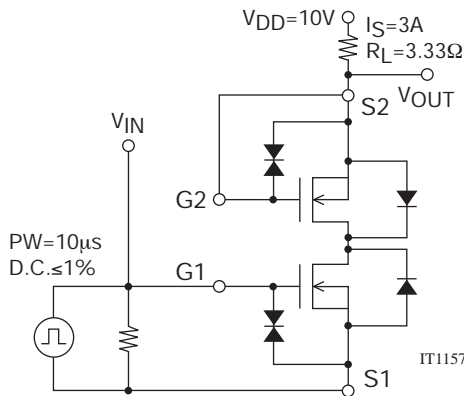
IT11569

Test Circuit 6
VF(S-S)



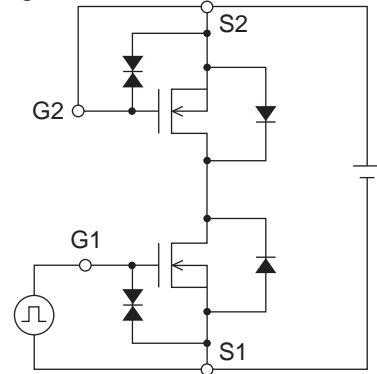
IT11570

Test Circuit 7
td(on), tr, td(off), tf



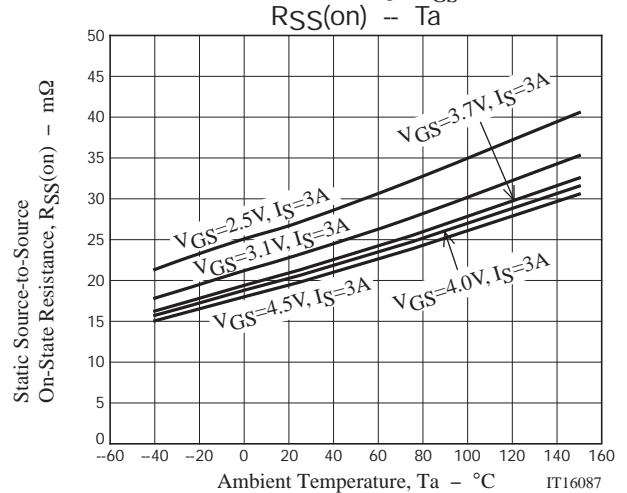
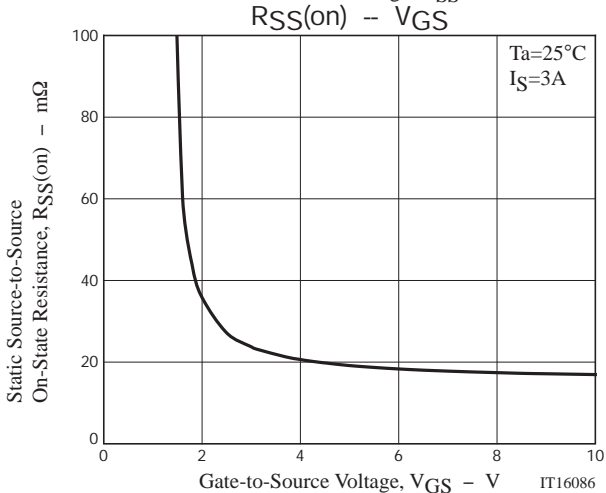
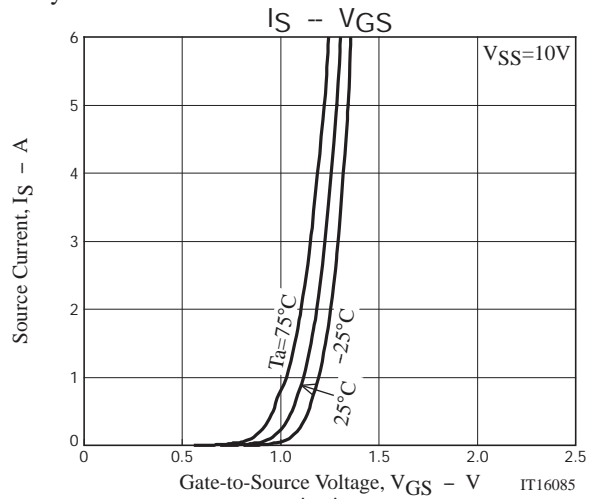
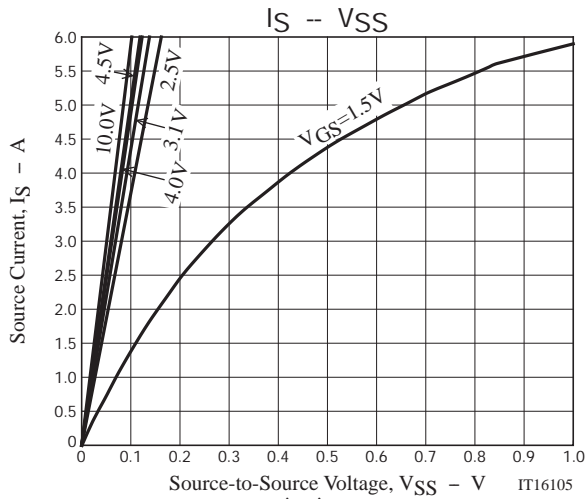
IT11571

Test Circuit 8
Qg

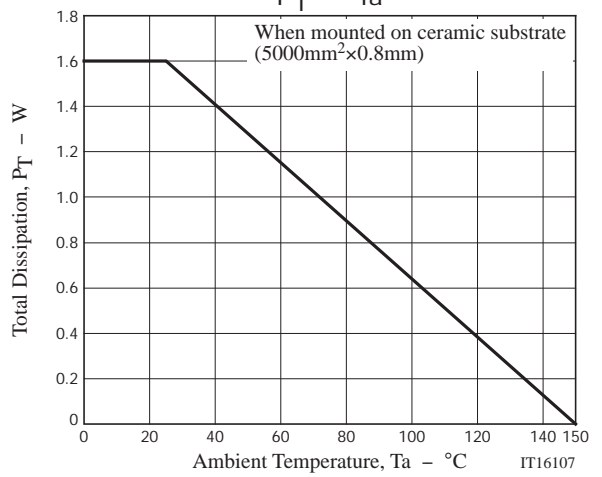
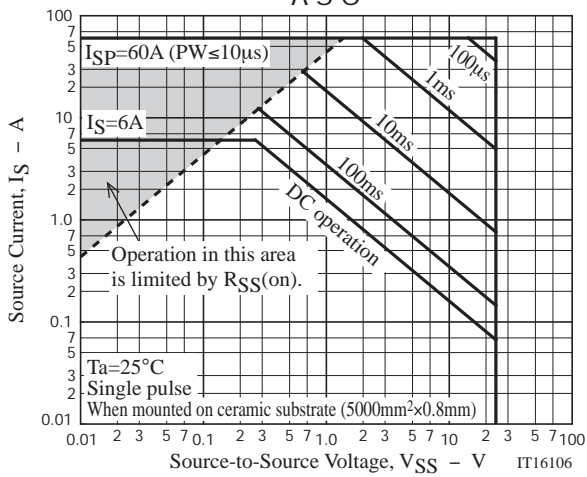
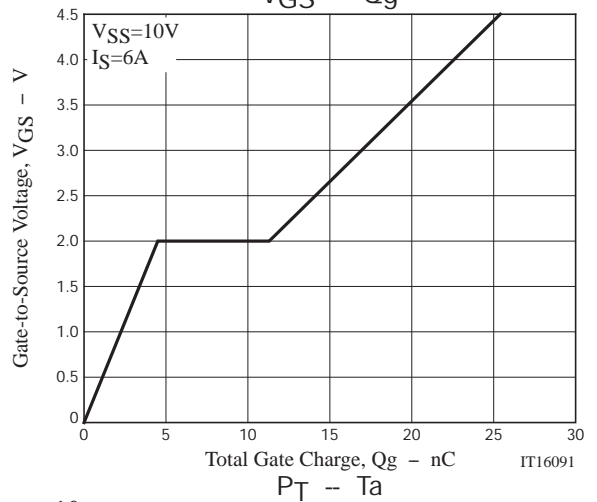
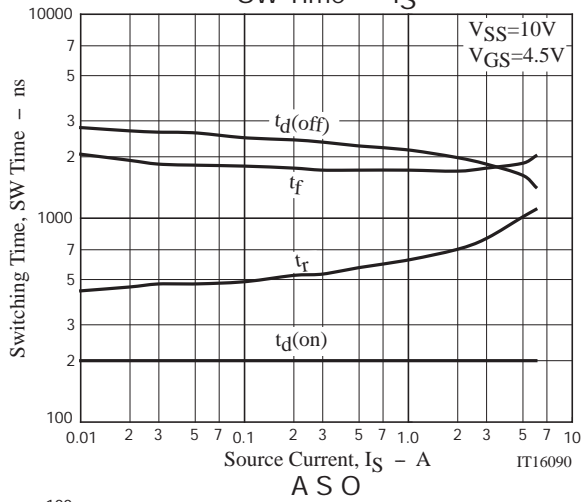
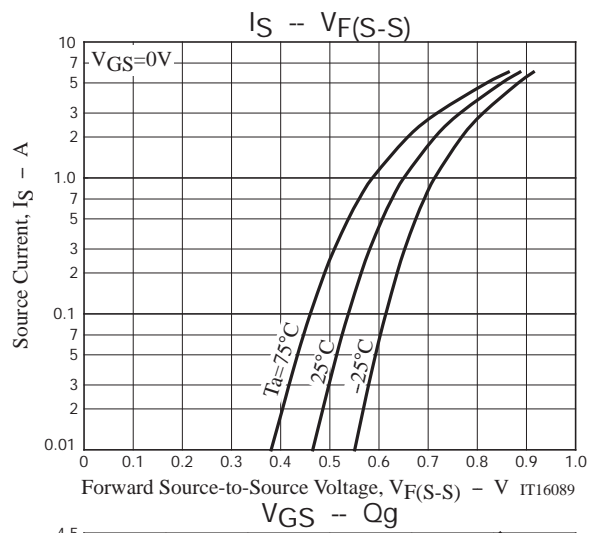
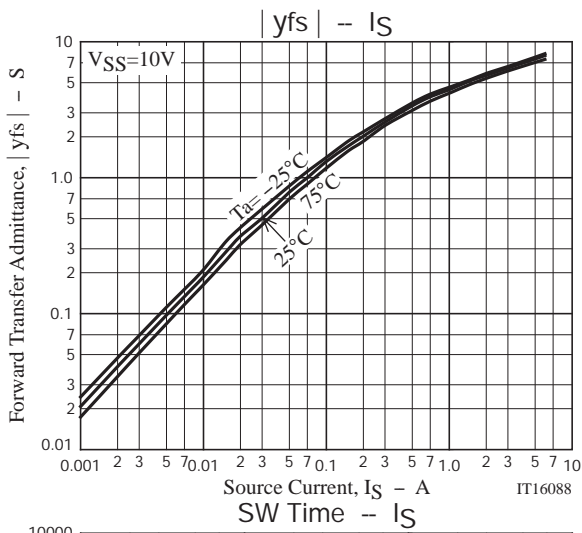


IT15409

* Note: Connect the measurement terminal reversely if you want to measure the FET2 side.



EFC4618R-P



Note on usage : Since the EFC4618R-P is a MOSFET product, please avoid using this device in the vicinity of highly charged objects.

- Any and all SANYO Semiconductor Co.,Ltd. products described or contained herein are, with regard to "standard application", intended for the use as general electronics equipment. The products mentioned herein shall not be intended for use for any "special application" (medical equipment whose purpose is to sustain life, aerospace instrument, nuclear control device, burning appliances, transportation machine, traffic signal system, safety equipment etc.) that shall require extremely high level of reliability and can directly threaten human lives in case of failure or malfunction of the product or may cause harm to human bodies, nor shall they grant any guarantee thereof. If you should intend to use our products for new introduction or other application different from current conditions on the usage of automotive device, communication device, office equipment, industrial equipment etc. , please consult with us about usage condition (temperature, operation time etc.) prior to the intended use. If there is no consultation or inquiry before the intended use, our customer shall be solely responsible for the use.
- Specifications of any and all SANYO Semiconductor Co.,Ltd. products described or contained herein stipulate the performance, characteristics, and functions of the described products in the independent state, and are not guarantees of the performance, characteristics, and functions of the described products as mounted in the customer's products or equipment. To verify symptoms and states that cannot be evaluated in an independent device, the customer should always evaluate and test devices mounted in the customer's products or equipment.
- SANYO Semiconductor Co.,Ltd. assumes no responsibility for equipment failures that result from using products at values that exceed, even momentarily, rated values (such as maximum ratings, operating condition ranges, or other parameters) listed in products specifications of any and all SANYO Semiconductor Co.,Ltd. products described or contained herein.
- SANYO Semiconductor Co.,Ltd. strives to supply high-quality high-reliability products, however, any and all semiconductor products fail or malfunction with some probability. It is possible that these probabilistic failures or malfunction could give rise to accidents or events that could endanger human lives, trouble that could give rise to smoke or fire, or accidents that could cause damage to other property. When designing equipment, adopt safety measures so that these kinds of accidents or events cannot occur. Such measures include but are not limited to protective circuits and error prevention circuits for safe design, redundant design, and structural design.
- In the event that any or all SANYO Semiconductor Co.,Ltd. products described or contained herein are controlled under any of applicable local export control laws and regulations, such products may require the export license from the authorities concerned in accordance with the above law.
- No part of this publication may be reproduced or transmitted in any form or by any means, electronic or mechanical, including photocopying and recording, or any information storage or retrieval system, or otherwise, without the prior written consent of SANYO Semiconductor Co.,Ltd.
- Any and all information described or contained herein are subject to change without notice due to product/technology improvement, etc. When designing equipment, refer to the "Delivery Specification" for the SANYO Semiconductor Co.,Ltd. product that you intend to use.
- Upon using the technical information or products described herein, neither warranty nor license shall be granted with regard to intellectual property rights or any other rights of SANYO Semiconductor Co.,Ltd. or any third party. SANYO Semiconductor Co.,Ltd. shall not be liable for any claim or suits with regard to a third party's intellectual property rights which has resulted from the use of the technical information and products mentioned above.

This catalog provides information as of November, 2011. Specifications and information herein are subject to change without notice.