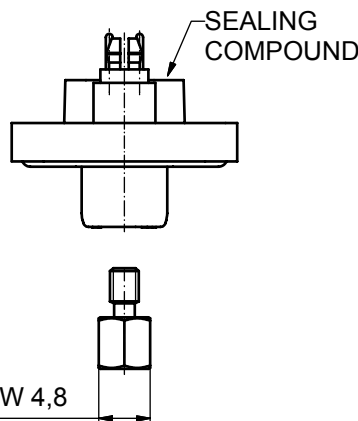
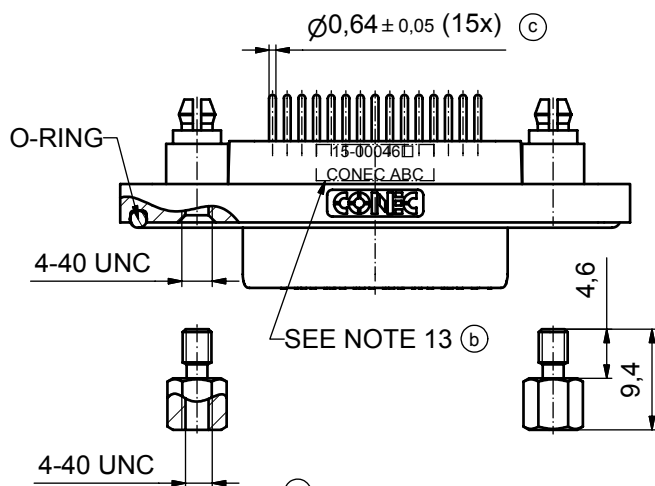
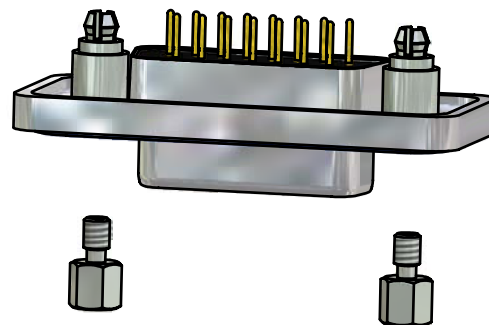
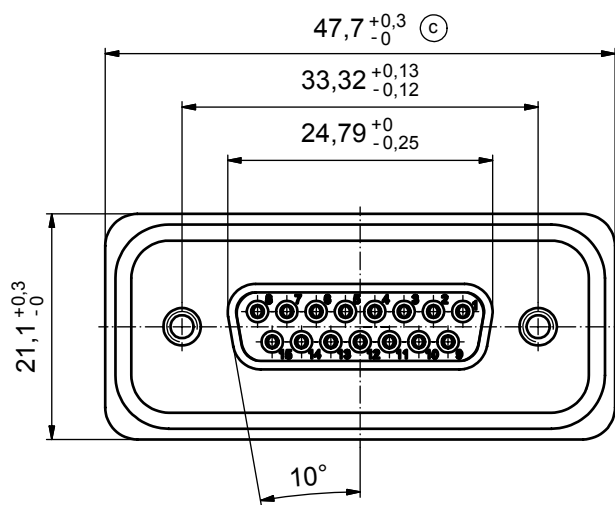
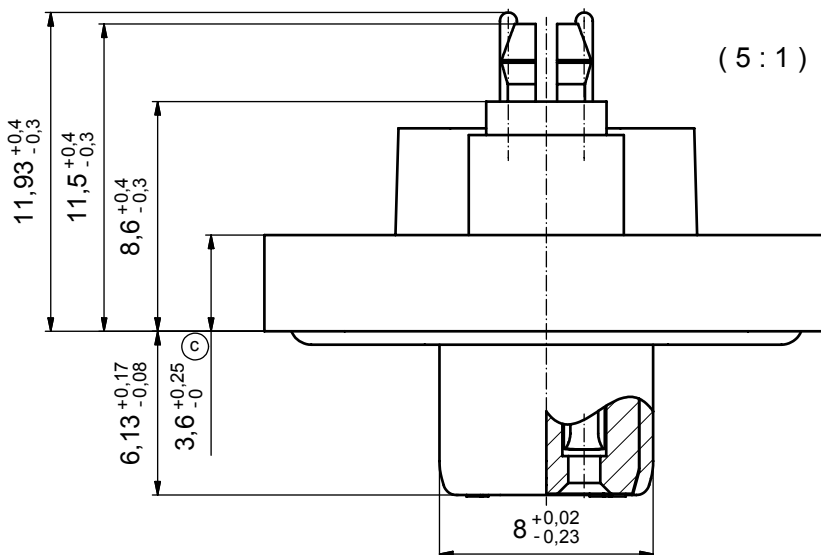


(b) (c)

NOTES:

1. FOR WAVESOLDERING (SOLDER BATH TEMPERATURE 265°C FOR 8 SEC. AND SOLDER PREHEAT 150°C FOR 180 SEC.)
2. IP RATING: IP 67
3. SEALED TO WITHSTAND PRESSURE UP TO 1,45 PSI FOR 30 MINUTES AFTER HIGH TEMPERATURE EXPOSURE
4. METAL SHELL: ZINC DIE CAST;
min. 50µin NICKEL PLATING over COPPER
5. INSULATORS: PBT GF UL 94 V-0, BLACK
6. O-RING: SILICONE PER ASTM D2000 70 SHORE A
7. SEALING COMPOUND: EPOXY RESIN UL 94 V-0; BLACK
8. CONTACTS: COPPER ALLOY
PLATING (SEE PART NO):
 PLEASE ADD 1 for 30µin HARD GOLD over min. 50µin NICKEL
 PLEASE ADD 3 for 8µin HARD GOLD over min. 50µin NICKEL
9. REAR SPACER CLIPS: COPPER ALLOY;
min. 200µin TIN over 80µin NICKEL
PCB-HOLE: $\varnothing 3,1 \pm 0,1$; PCB THICKNESS 1,6mm
10. HEXLOCKING SCREWS: STAINLESS STEEL
11. PCB-HOLE DRILLINGS and RECOMMENDED PANEL CUT-OUT ON SHEET 2
12. RECOMMENDED TORQUE FOR MOUNTING SCREW
35Ncm (3.1 in.LB) / max.67Ncm (6 in.LB)
13. CONNECTOR IS PART MARKED: 15-00046 CONEC ABC



AT ALL TIMES WATER RESISTANT CONNECTORS NOT IN USE SHOULD BE COVERED WITH A CONEC WATER RESISTANT CAP OR WATER TIGHT HOOD.

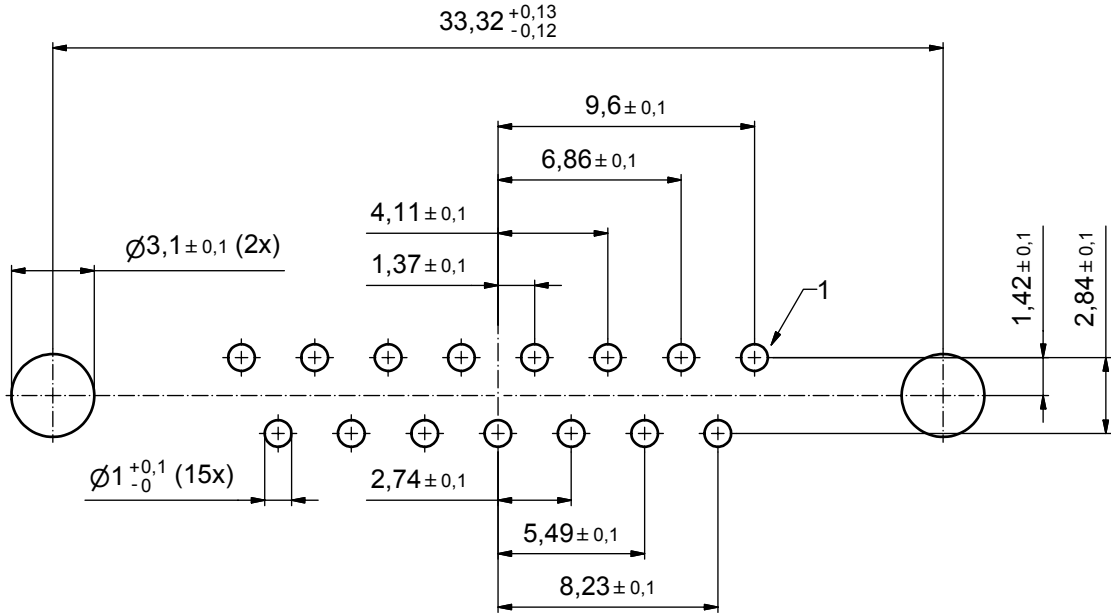
Directive 2002/95/EC
"RoHS"
Compliant

APPROVAL # FREIGABE # DEBLOCAGE # AUTORIZACION # APPROVAL	
CUSTOMER APPROVAL DATE:	
NAME:	TITLE:
COMPANY NAME:	
APPROVAL # FREIGABE # DEBLOCAGE # AUTORIZACION # APPROVAL	

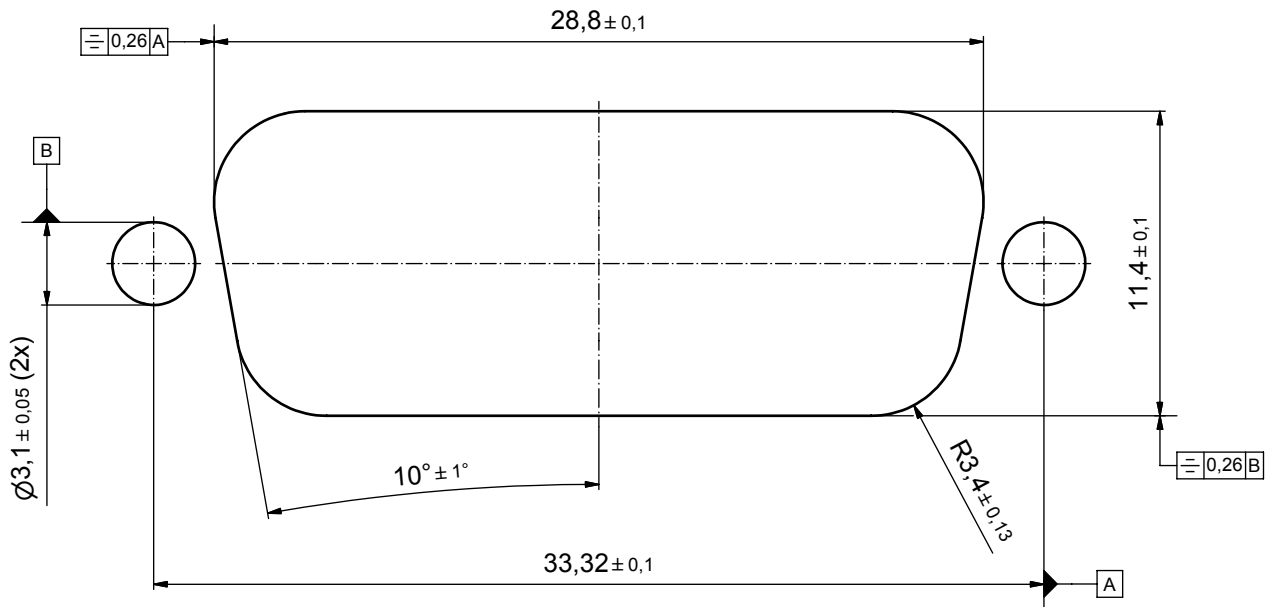
THIS DRAWING MAY NOT BE COPIED OR REPRODUCED IN ANY WAY, AND MAY NOT BE PASSED ON TO A THIRD PARTY WITHOUT WRITTEN PERMISSION. OWNERSHIP AND COPYRIGHT OF CONEC GmbH				tolerance		dim. in mm																									
DO NOT ALTER CAD DRAWING BY HAND				date	name		<table border="1"> <tr> <td>5 x c</td> <td>Ä3435</td> <td>21.09.09</td> <td>HS</td> <td>d-old</td> <td></td> </tr> <tr> <td>3 x b</td> <td>A 3129</td> <td>26.09.08</td> <td>HS</td> <td></td> <td></td> </tr> <tr> <td>a</td> <td>Origin</td> <td></td> <td></td> <td></td> <td></td> </tr> <tr> <td>rev.</td> <td>description</td> <td>date</td> <td>name</td> <td colspan="2">CONEC</td> </tr> </table>	5 x c	Ä3435	21.09.09	HS	d-old		3 x b	A 3129	26.09.08	HS			a	Origin					rev.	description	date	name	CONEC	
5 x c	Ä3435	21.09.09	HS	d-old																											
3 x b	A 3129	26.09.08	HS																												
a	Origin																														
rev.	description	date	name	CONEC																											
				drawn	09.09.08	Schmidt																									
				appd.	15.09.08	Fischer																									
				norm																											

scale:	2:1 (5:1)	
material:	see notes	
title:	D-SUB FEMALE 15pos. SOLDER PIN STRAIGHT with rear spacer clip and hexlocking screw	
dwg no:	Inventor 10	DIN-A3
	15K1A268	sh: 1
part no:	15-00046 (see note 8) (b)	

P.C.B. HOLE DRILLINGS



RECOMMENDED PANEL CUT-OUT (b)



APPROVAL # FREIGABE # DEBLOCAGE # AUTORIZACION # APPROVAL	
CUSTOMER APPROVAL DATE:	
NAME:	TITLE:
COMPANY NAME:	
APPROVAL # FREIGABE # DEBLOCAGE # AUTORIZACION # APPROVAL	

THIS DRAWING MAY NOT BE COPIED OR REPRODUCED IN ANY WAY, AND MAY NOT BE PASSED ON TO A THIRD PARTY WITHOUT WRITTEN PERMISSION. OWNERSHIP AND COPYRIGHT OF CONEC GmbH				tolerance		dim. in mm		scale: 5:1	
DO NOT ALTER CAD DRAWING BY HAND				date		name		material: see sheet 1	
				drawn		09.09.08		Schmidt	
				appd.		15.09.08		Fischer	
				norm				title: P.C.B. HOLE DRILLINGS PANEL CUT-OUT D-SUB Female 15pos. Solder pin straight	
				d-old				dwg no: Inventor 10	
1 x b A 3129 26.09.08 HS								DIN-A3	
a Origin								15K1A268	
rev. description date name								sh: 2	



part no: see sheet 1	
----------------------	--