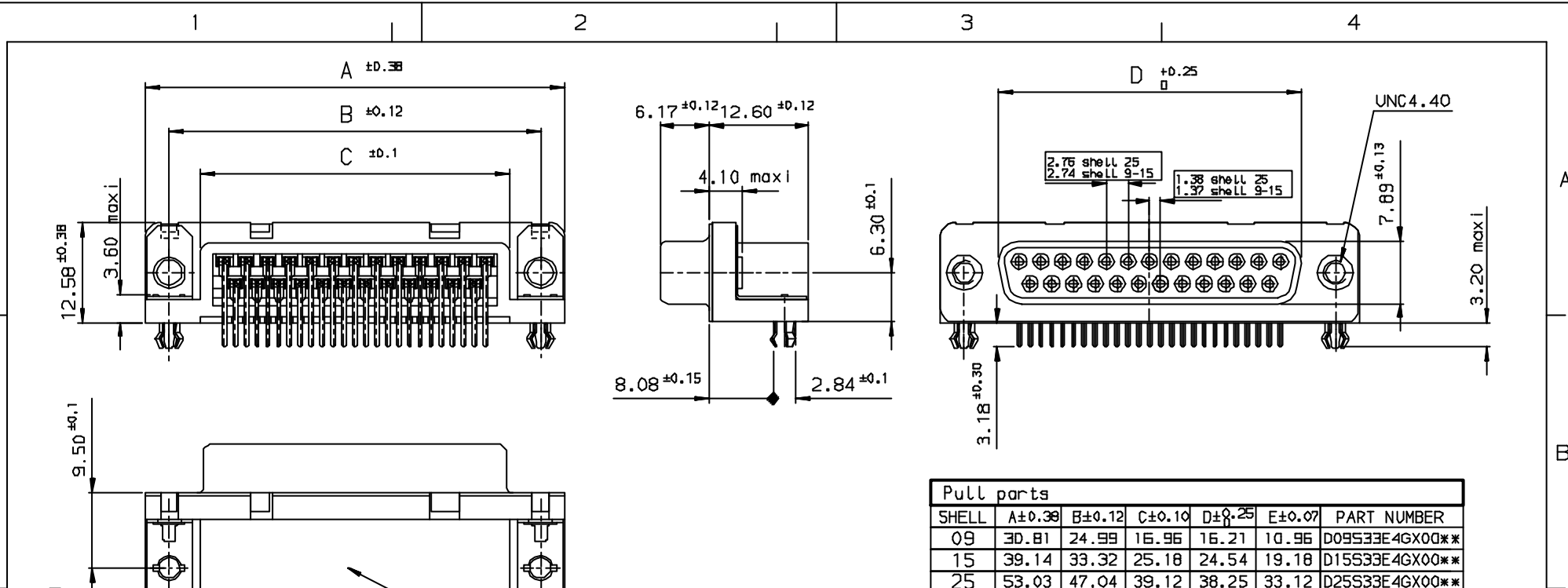


Tous droits strictement réservés. Reproduction ou communication à des tiers interdite sans autorisation écrite de la Direction de la Production. Propriété de FCI. Droits de reproduction FCI.

FCI

All rights strictly reserved. Reproduction or communication to third parties in any form without the written authorization of the Production Direction. Property of FCI. Copyright FCI.



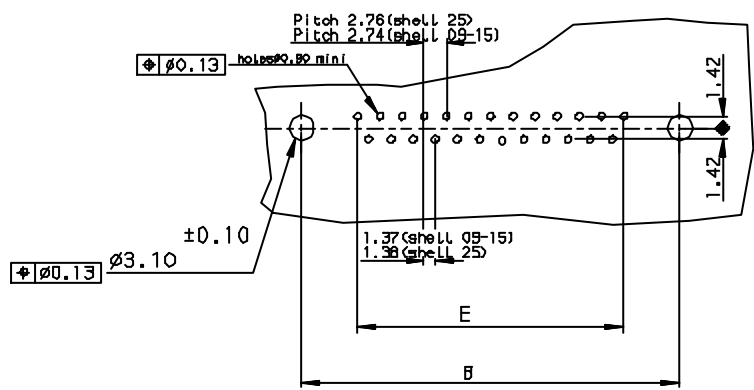
Pull parts						
SHELL	A±0.38	B±0.12	C±0.10	D±0.25	E±0.07	PART NUMBER
09	30.81	24.99	16.96	16.21	10.96	D09S33E4GX00**
15	39.14	33.32	25.18	24.54	19.18	D15S33E4GX00**
25	53.03	47.04	39.12	38.25	33.12	D25S33E4GX00**

GENERAL CHARACTERISTICS & RoHS - SEE DRAWING C01-8545-0000

LF FOR LEAD FREE

Part Number & Date Code Printing

PC card drilling dimensions (after plating)
(thickness 1.50±0.20mm)



Utr	Eon no	Dr	date
a	105-0124	JS	27/7/05

		✓		Tolerance LINEAR ±0.1 ANGULAR ±1°	Projection 	MM ↔
Dr	JOHN SLEEDA	14/10/04	Product Family	D-SUB	Size	Scale
Eng	GEORGE VJ	14/10/04	Spec ref		A3	
Chr	GEORGE VJ	27/7/05	Material		ECN	
Appr	K Somasundaram	27/7/05				
FCI			Title SOCKET CONNECT, DELTA D RIGHT ANGLE WITH NUT, HARPOON AND METAL PLATE		Dng no C01-8545-0145	
Catalog no			DELTA-D		CUSTOMER COPY	
INDEX			DATE		Sheet 1 of 1	

INDEX	DATE	REVISION DESCRIPTION
0	27/7/05	LEAD FREE DETAILS ADDED