

规格书编号

SPEC NO :

产品规格书

SPECIFICATION

CUSTOMER 客户: _____
PRODUCT 产品: **SAW FILTER**
MODEL NO 型号: **HDMIF38A2Dc SIP5Dc**
PREPARED 编制: _____ CHECKED 审核: _____
APPROVED 批准: _____ DATE 日期: **2007-11-2**

客户确认 CUSTOMER RECEIVED:		
审核 CHECKED	批准 APPROVED	日期 DATE

无锡市好达电子有限公司
Shoulder Electronics Limited

1.SCOPE

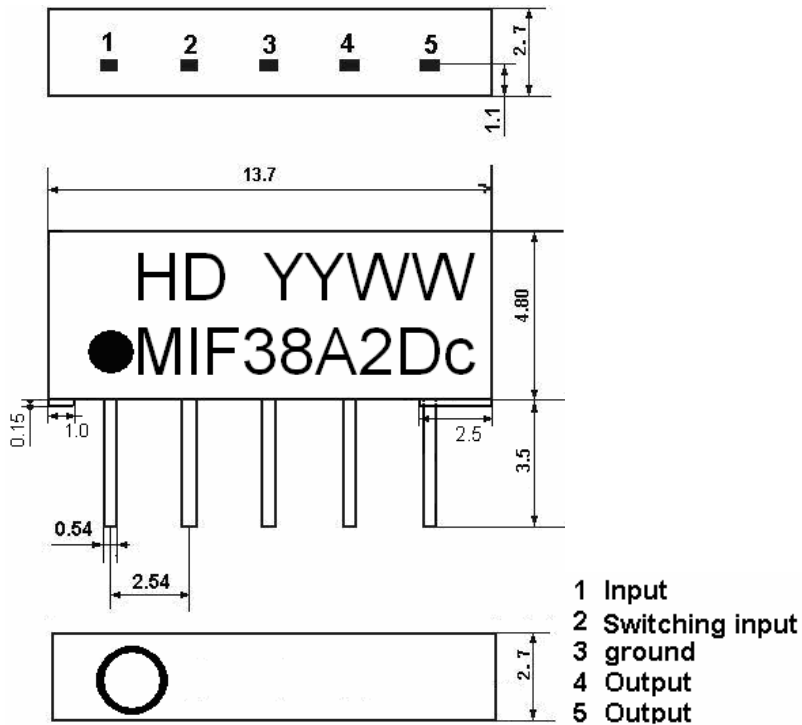
SHOULDER’s SAW filter series have broad line up products meeting all broadcast standard including NTSC,PAL and SECAM systems. These filters are composed of two interdigital transducers on a single-crystal, piezoelectrical chip. they are used in electronic equipments such as TV and so on.

2.Construction

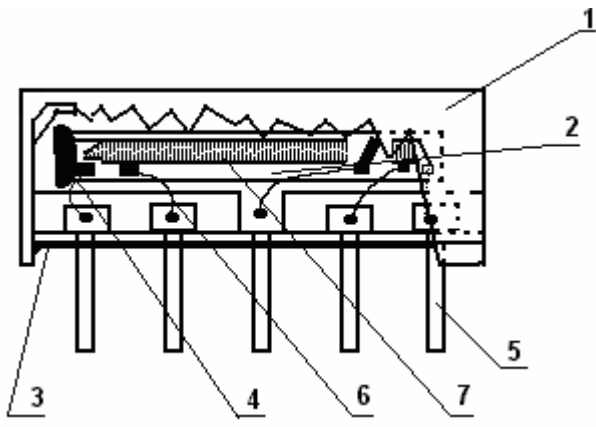
2.1 Dimension and materials

Manufacturer’s name : SHOULDER ELECTRONICS LIMITED

Type : MIF38A2Dc

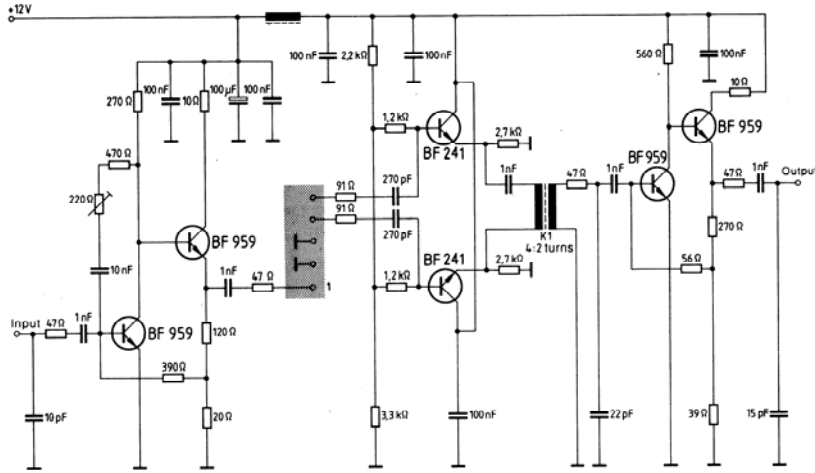


YY:year
WW:week



Components	Materials
1.Outer casing	PPS
2.Substrate	Lithium niobate
3.Base	Epoxy resin
4.Absorber	Epoxy resin
5.Lead	Cu alloy+Au plate
6.Bonding wire	AlSi alloy
7.Electrode	Al

2.2. Circuit construction, measurement circuit



Test circuit for SIP-5 filter
 Input impedance of the symmetrical post-amplifier: 2 kΩ in parallel with 3 pF

3.Characteristics

Items	Conditions	Specifications
Standard atmospheric conditions	Unless otherwise specified , the standard rang of atmospheric conditions for making measurements and tests is as follows; Ambient temperature : 15°C to 35°C Relative humidity : 25% to 85% Air pressure : 86kPa to 106kPa	There shall be no damage.
Operating temperature rang	Operating temperature rang is the rang of ambient temperatures in which the filter can be operated continuously. -10°C ~ +60°C	
Storage temperature rang	Storage temperature rang is the rang of ambient temperatures at which the filter can be stored without damage. Conditions are as specified elsewhere in these specifications. -40°C ~ +70°C	
Reference temperature	+25°C	

3.1 Maximum Rating

DC voltage	VDC	12	V	Between any terminals
AC voltage	Vpp	10	V	Between any terminals

3.2 Electrical Characteristics

Characteristics in B/G,D/K mode (switching input pin 2 connected to ground pin 3)

Source impedance

$$Z_s=50\ \Omega$$

Load impedance

$$Z_L=2k\ \Omega //3pF$$

$$T_A=25^\circ C$$

Item	Freq	min	typ	max	
Insertion attenuation Reference level	36.50MHz	15.7	17.7	19.7	dB
Relative attenuation	38.00MHz	4.5	6.0	7.5	dB
	33.57MHz	-0.1	1.4	2.9	dB
	31.50MHz	42.0	60.0	-	dB
	32.50MHz	32.0	45.0	-	dB
	30.00MHz	41.0	52.0	-	dB
	31.00MHz	42.0	54.0	-	dB
	39.50MHz	41.0	51.0	-	dB
Sidelobe	25.00~30.00MHz	38.0	45.0		dB
	39.50~45.00MHz	34.0	39.0		dB
Reflected wave signal suppression 1.3 us ... 6.0 us after main pulse (test pulse 250 ns , carrier frequency 36.50 MHz)		40.0	50.0		dB
Feedthrough signal suppression 1.2 us ... 6.0 us after main pulse (test pulse 250 ns , carrier frequency 36.50 MHz)		42.0	52.0		dB
Temperature coefficient		-72			ppm/k

Characteristics in M/N mode (switching input pin 2 connected to input pin 1)

Source impedance

$$Z_s=50\ \Omega$$

Load impedance

$$Z_L=2k\ \Omega //3pF$$

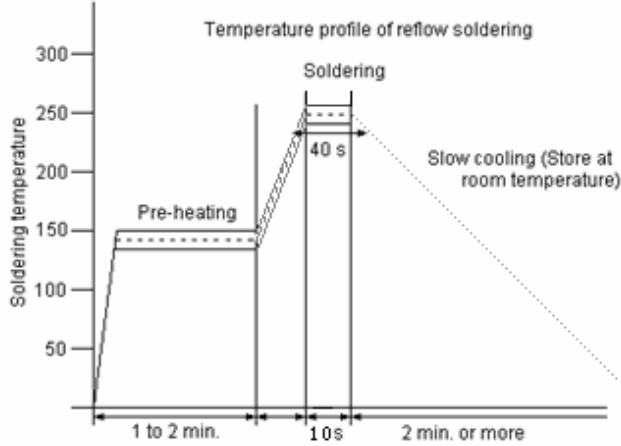
$$T_A=25^\circ C$$

Item	Freq	min	Typ	max	
Insertion attenuation Reference level	36.50MHz	14.0	16.0	18.0	dB
Relative attenuation	38.00MHz	4.7	6.2	7.7	dB
	34.42MHz	2.3	3.8	5.3	dB
	33.50MHz	18.3	20.3	22.3	dB
	32.00MHz	40.0	48.0	-	dB
	39.50MHz	40.0	53.0	-	dB

Sidelobe	25.00~32.00MHz	36.0	45.0		dB
	39.50~45.00MHz	35.0	41.0		dB
Reflected wave signal suppression 1.3 us ... 6.0 us after main pulse (test pulse 250 ns , carrier frequency 36.50 MHz)		40.0	50.0		dB
Feedthrough signal suppression 1.2 us ... 6.0 us after main pulse (test pulse 250 ns , carrier frequency 36.50 MHz)		42.0	48.0		dB
Temperature coefficient		-72			ppm/k

3.3 Environmental Performance Characteristics

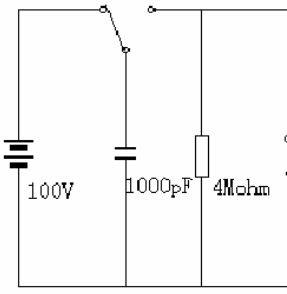
Item	Condition	Specifications		
High temperature	The specimen shall be store at a temperature of 80±2℃ for 96±4h. Then it shall be subjected to standard atmospheric conditions for 1h, after which measurement shall be made within 1h.	Mechanical characteristics and specifications in electrical characteristics shall be satisfied. There shall be no excessive change in appearance.		
Low temperature	The specimen shall be store at a temperature of -20±3℃ for 96±4h. Then it shall be subjected to standard atmospheric conditions for 1h, after which measurement shall be made within 1h.			
Humidity	The specimen shall be store at a temperature of 40±2℃ with relative humidity of 90% to 96% for 96±4h. Then it shall be subjected to standard atmospheric conditions for 1h, after which measurement shall be made within 1h.			
Thermal shock	The specimen shall be subjected to 8 continuous cycles each as shown below. Then it shall be subjected to standard atmospheric conditions for 1h, after which measurement shall be made within 1h.			
			Temperature	Duration
	1		+25℃=>-40℃	0.5h
	2	-40℃	4h	
	3	-40℃=>+85℃	2h	
	4	+85℃	4h	
5	+85℃=>+25℃	0.5h		
6	+25℃	1h		
Resistance to Soldering	Reflow soldering method Peak: 255 ±5 ℃, 220 ±5℃, 40s			

<p>heat</p>	<p>At electrode temperature of the specimen.</p>  <p>The specimen shall be passed through the reflow furnace with the condition shown in the above profile for 1 time.</p> <p>The specimen shall be stored at standard atmospheric conditions for 1h, after which the measurement shall be made. Test board shall be 1.6 mm thick. Base material shall be glass fabric base epoxy resin.</p>	
<p>Solder ability</p>	<p>Immerse the pins melt solder at 260°C+5/-0°C for 5 sec.</p>	<p>More then 95% of total area of the pins should be covered with solder</p>

3.4Mechanical Test

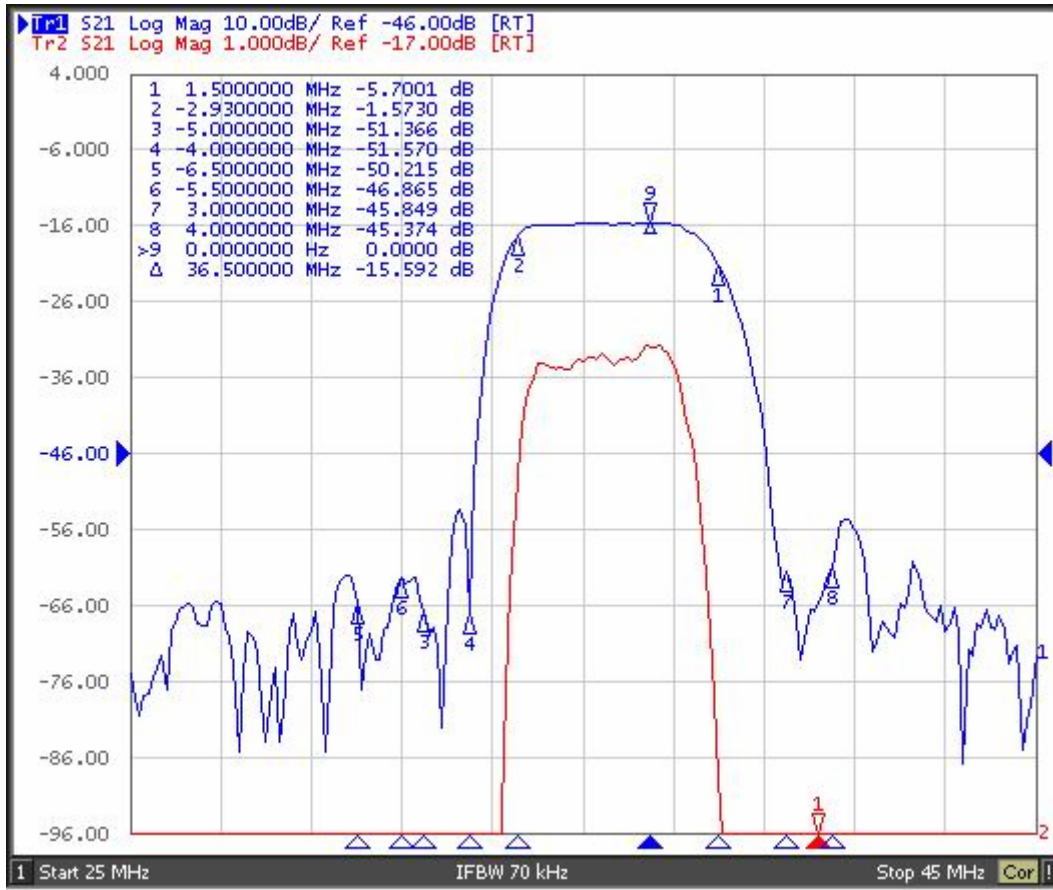
Items	Conditions	Specifications
Vibration	600-3300rpm amplitude 1.5mm 3 directions 2 H each	There shall be no damage.
Drop	On maple plate from 1m high 3 times	
Lead pull	Pull with 1kg force for 30 seconds	
Lead bend	90° bending with 500g weigh 2 times	

3.5 Voltage Discharge Test

Item	Condition	Specifications
Surge	Between any two electrode 	There shall be no damage

3.6 Frequency response

Frequency response in B/G,D/K mode



Frequency response in M/N mode

