



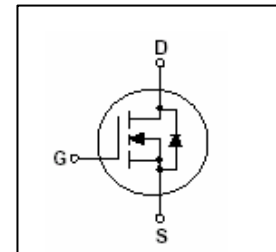
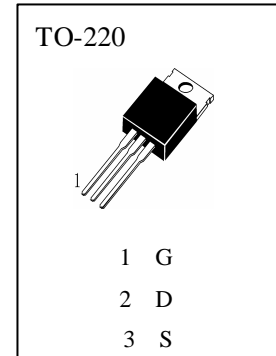
HFP4N60

APPLICATIONS

High-Speed Switching.

ABSOLUTE MAXIMUM RATINGS ($T_a=25$)

T_{stg}	—Storage Temperature.....	-55~150
T_j	—Operating Junction Temperature	150
P_D	— Allowable Power Dissipation($T_c=25$).....	100W
V_{DSS}	— Drain-Source Voltage	600V
V_{GSS}	— Gate-Source Voltage	$\pm 30V$
I_D	— Drain Current($T_c=25$).....	4.0A



ELECTRICAL CHARACTERISTICS ($T_a=25$)

Symbol	Characteristics	Min	Typ	Max	Unit	Test Conditions
BV_{DSS}	Drain-Source Breakdown Voltage	600			V	$I_D=250 \mu A, V_{GS}=0V$
I_{DSS}	Zero Gate Voltage Drain Current			10	μA	$V_{DS}=600V, V_{GS}=0$
I_{GSS}	Gate -Source Leakage Current			± 100	nA	$V_{GS}=\pm 30V, V_{DS}=0V$
$V_{GS(th)}$	Gate Threshold Voltage	2.0		4.0	V	$V_{DS}=V_{GS}, I_D=250 \mu A$
$R_{DS(on)}$	Static Drain-Source On-Resistance		2.0	2.5	Ω	$V_{GS}=10V, I_D=2.0A$
C_{iss}	Input Capacitance		710	920	pF	$V_{DS}=25V, V_{GS}=0, f=1MHz$
C_{oss}	Output Capacitance		65	85	pF	
C_{rss}	Reverse Transfer Capacitance		14	19	pF	
$t_{d(on)}$	Turn - On Delay Time		20	50	nS	$V_{DD}=300V, I_D=4.0A$ $R_G=25 \Omega$ *
t_r	Rise Time		55	120	nS	
$t_{d(off)}$	Turn - Off Delay Time		70	150	nS	
t_f	Fall Time		55	120	nS	$V_{DS}=480V$ $V_{GS}=10V$ $I_D=4.0A$ *
Q_g	Total Gate Charge		22	29	nC	
Q_{gs}	Gate-Source Charge		4.8		nC	
Q_{gd}	Gate-Drain Charge		8.5		nC	
I_S	Continuous Source Current			4.0	A	
V_{SD}	Diode Forward Voltage			1.5	V	$I_S=4.0A, V_{GS}=0$
$R_{th(j-c)}$	Thermal Resistance , Junction-to-Case			1.25	/W	

*Pulse Test : Pulse Width 300 μs , Duty Cycle 2%

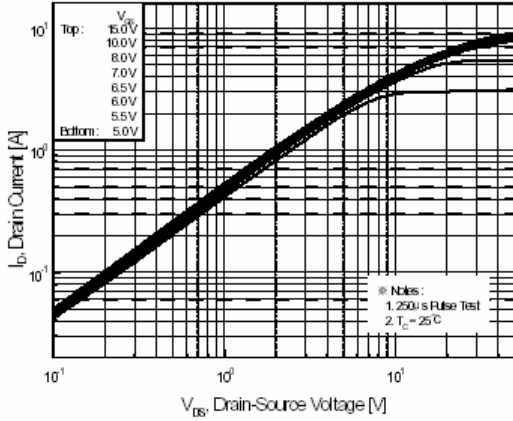


Figure 1. On-Region Characteristics

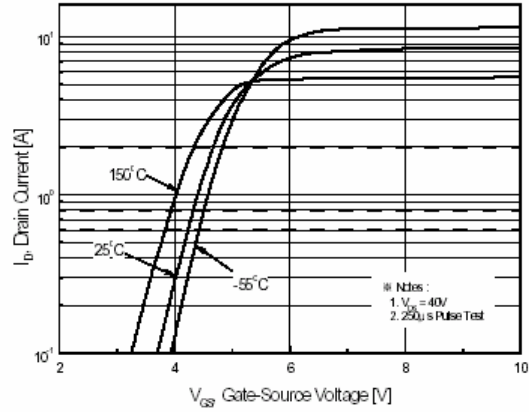


Figure 2. Transfer Characteristics

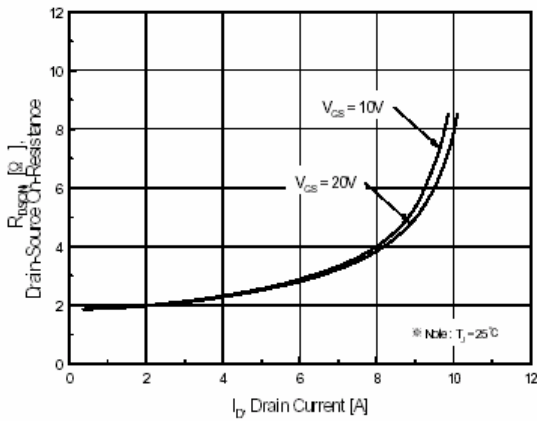


Figure 3. On-Resistance Variation vs Drain Current and Gate Voltage

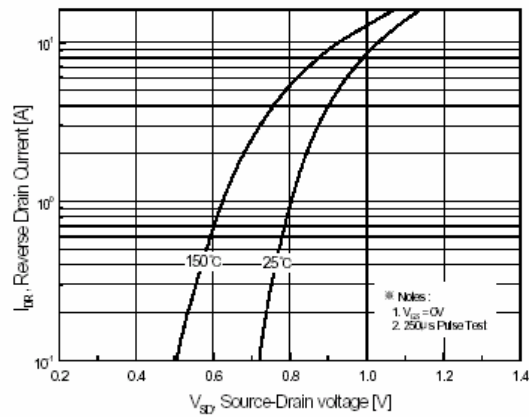


Figure 4. Body Diode Forward Voltage Variation with Source Current and Temperature

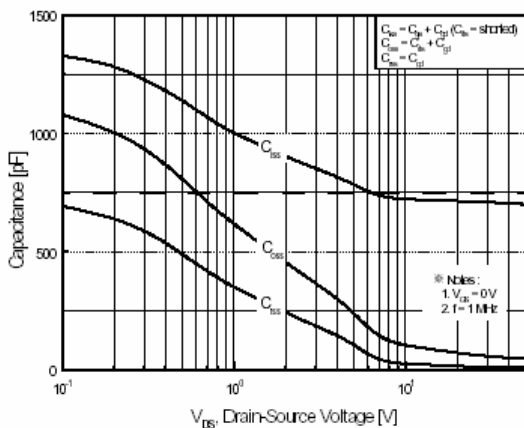


Figure 5. Capacitance Characteristics

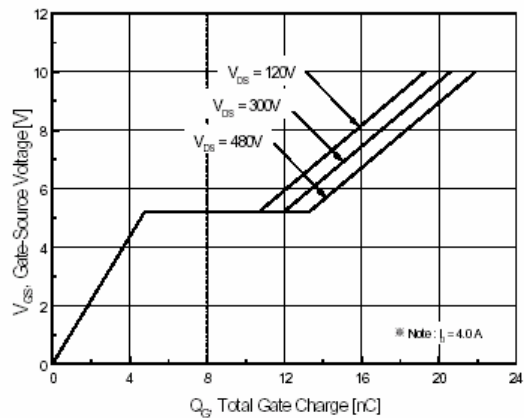


Figure 6. Gate Charge Characteristics



HFP4N60

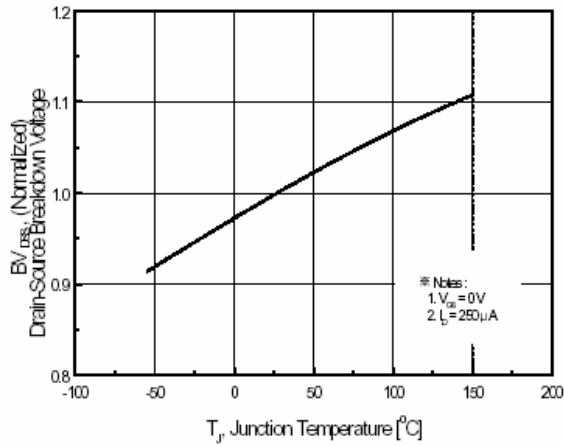


Figure 7. Breakdown Voltage Variation vs Temperature

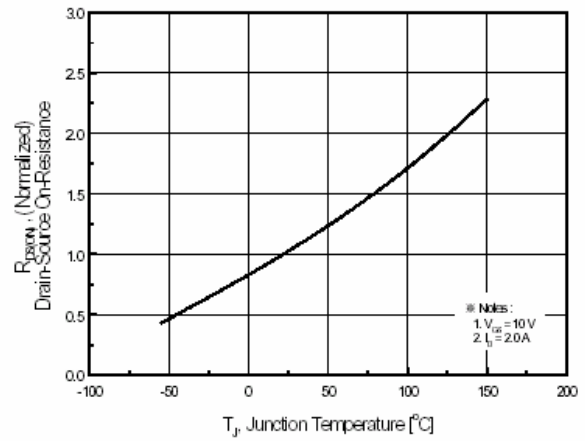


Figure 8. On-Resistance Variation

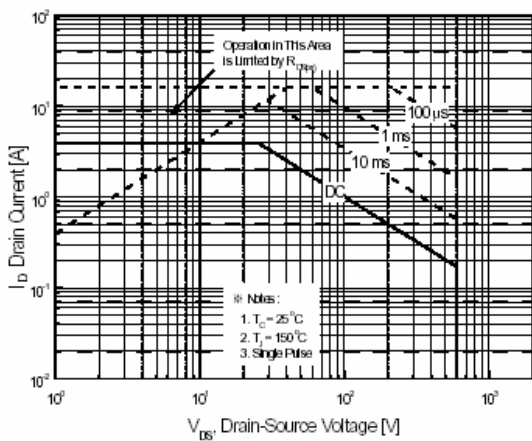


Figure 9-1. Maximum Safe Operating Area for HFP4N60

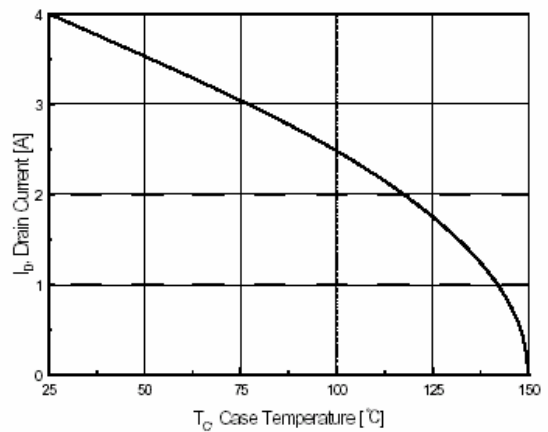


Figure 10. Maximum Drain Current vs Case Temperature

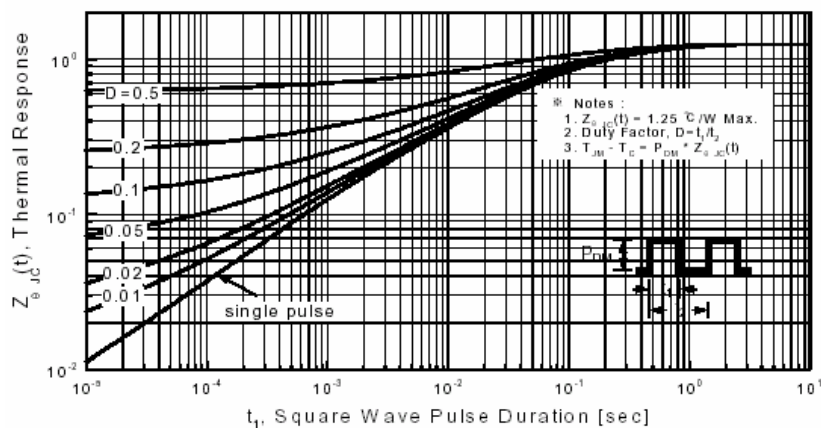
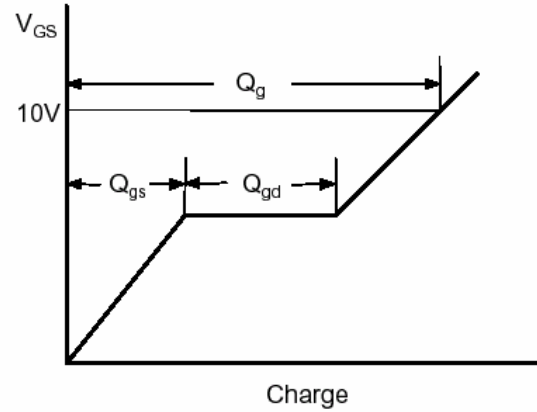
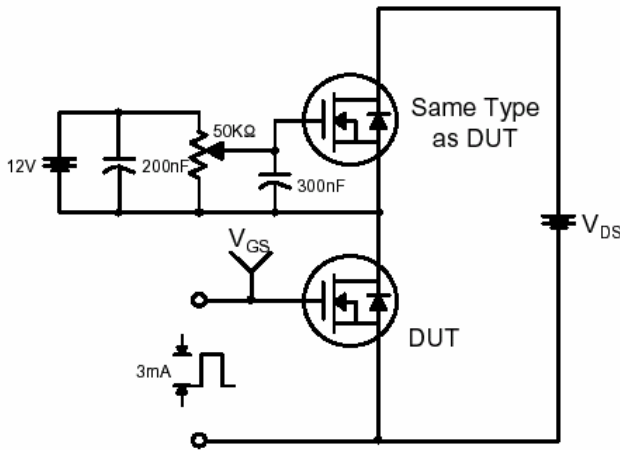


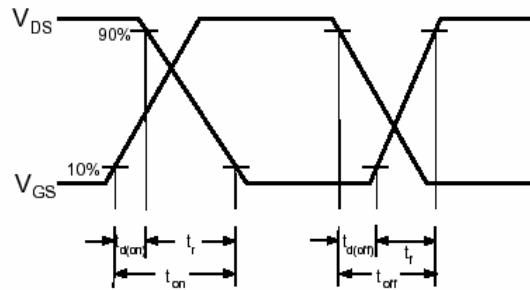
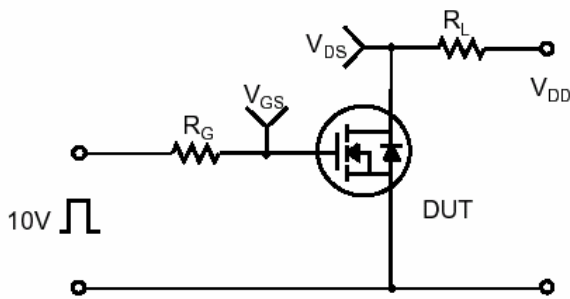
Figure 11-1. Transient Thermal Response Curve for HFP4N60



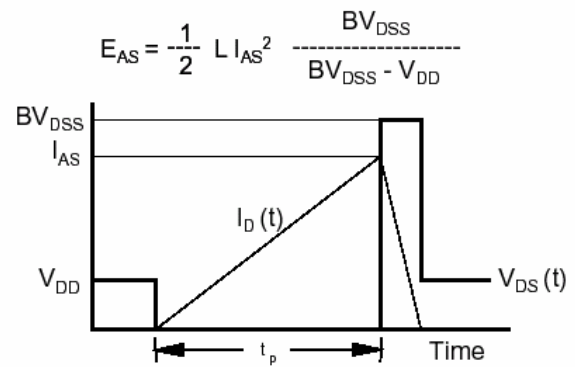
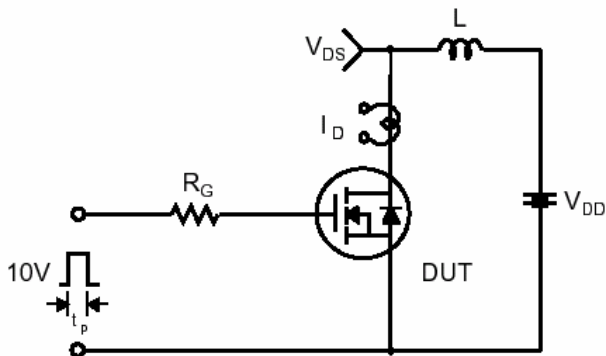
Gate Charge Test Circuit & Waveform



Resistive Switching Test Circuit & Waveforms



Unclamped Inductive Switching Test Circuit & Waveforms





Peak Diode Recovery dv/dt Test Circuit & Waveforms

