



P/N: NU1S516-304 LF

### Feature



- RJ-45 connector integrated with X'FMR / Impedance Resistor/High Voltage Capacitor.
- Size same as RJ-45 connector to save PCB board space.
- Reduced EMI radiation to improve EMI performance.
- Design for 100 base transmission over UTP-5 CABLE.
- Comply with RoHS requirements-whole part No Cd, No Hg, No Cr6+, No PBB and PBDE and No Pb on external pins.
- Operating temperature range: 0 to +70 .
- Storage temperature range: -25 to +85 .

Code	1	3	4	Empty
LED Color	Red	Yellow	Green	No LED

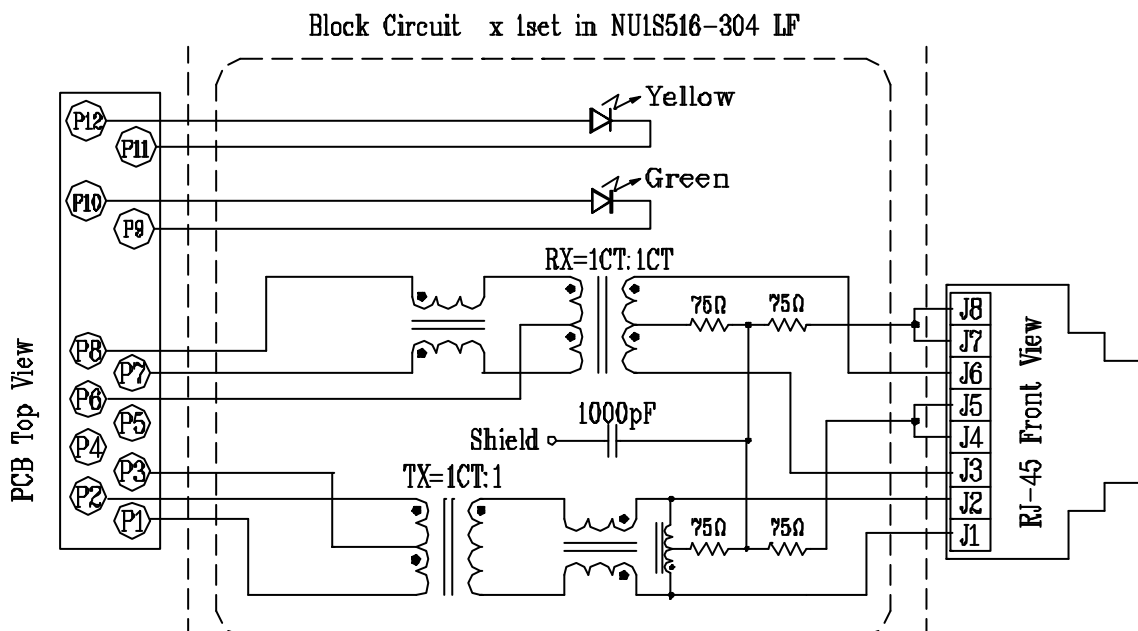
### Electrical Specifications @ 25°C

Part Number	Turns Ratio (±5%)		OCL (uH Min) @100KHz/0.1V with 8mA DC Bias	C <sub>www</sub> (pF Max)	L.L (uH Max)	Insertion Loss (dB Max) 0.3-100MHz	HI-POT (Vrms)
	TX	RX					
NU1S516-304 LF	1CT:1	1CT:1CT	350	28	0.4	-1.15	1500

### Continue

Part Number	Return Loss (dB Min)					Cross talk (dB Min)			CMR (dB Min)		
	30MHz	40MHz	50MHz	60MHz	80MHz	0.3-30MHz	30-60MHz	60-100MHz	1-30MHz	30-60MHz	60-125MHz
NU1S516-304 LF	-16	-14	-13.5	-13	-10	-40	-35	-30	-30	-25	-20

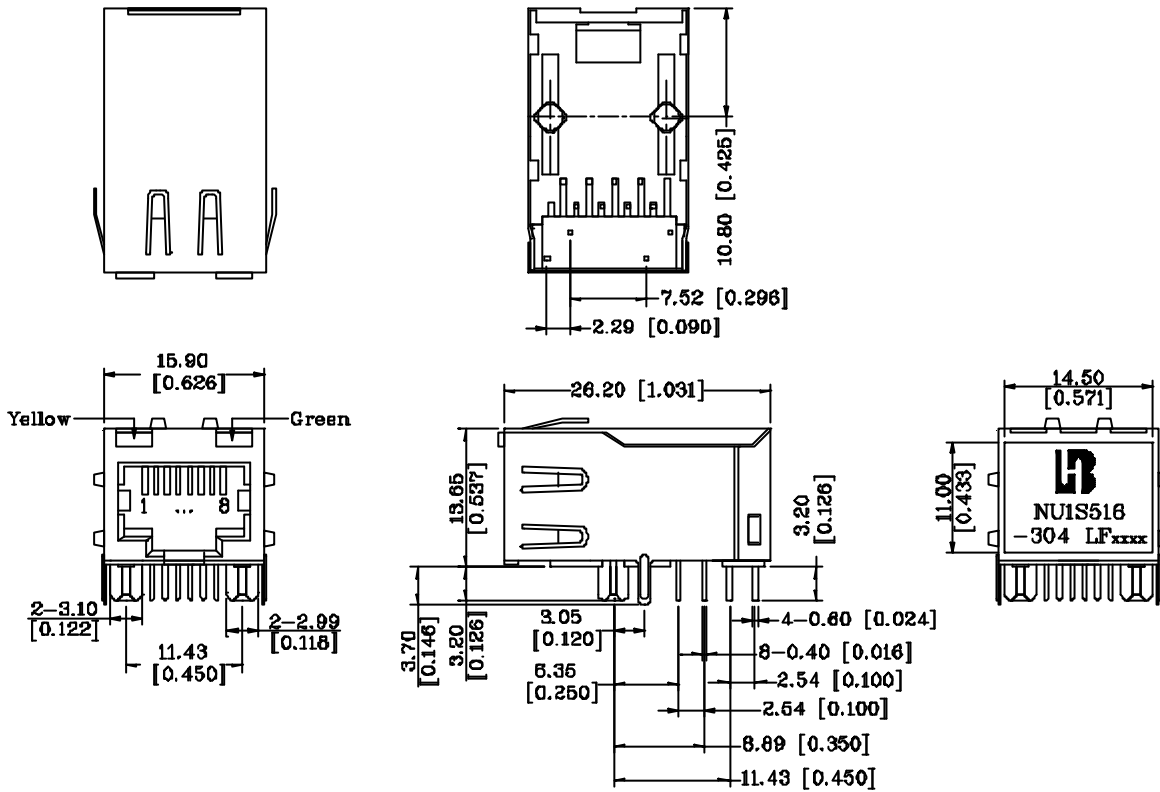
### Schematic





P/N: NUIS516-304 LF

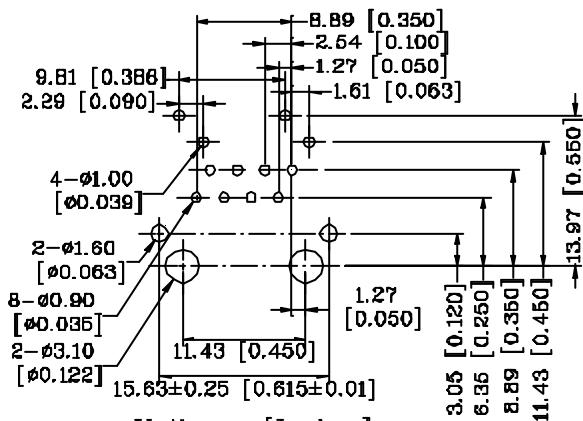
**Mechanical**



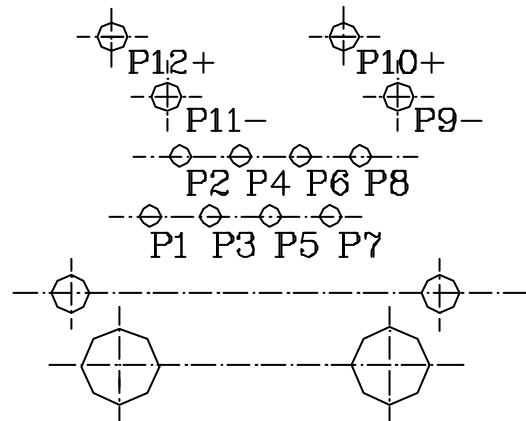
Units: mm [Inches] Tolerances: xx.x0±0.25 [0.010]  
0.xx±0.05 [0.002]

- |                     |   |   |
|---------------------|---|---|
| 1. Plastic Material | : | Thermoplastic (UL 94V-0), Black Housing       |
| 2. Metal Shield     | : | Brass, 20u inches thick Nickel                |
| 3. Spring Wire      | : | Phosphor bronze with selective gold plating   |
| 4. Solder Pin       | : | 0.4x0.4mm, Phosphor bronze with solder Plated |
| 5. Durability       | : | 750 Mating cycles Min.                        |

**PCB Layout Mounting Hole (Top View)**



Units: mm [Inches]  
Tolerances: xx.x0±0.25 [0.010]  
0.xx±0.05 [0.002]



Zoom