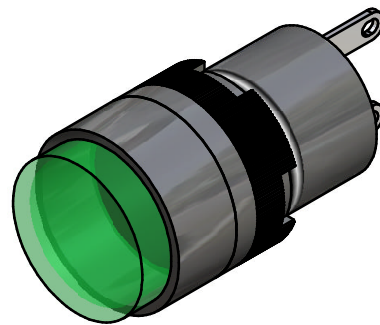
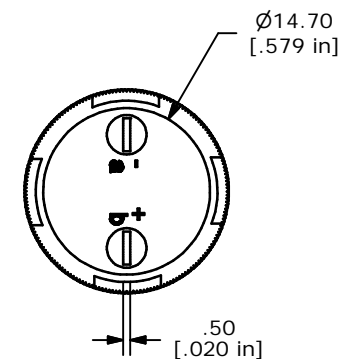
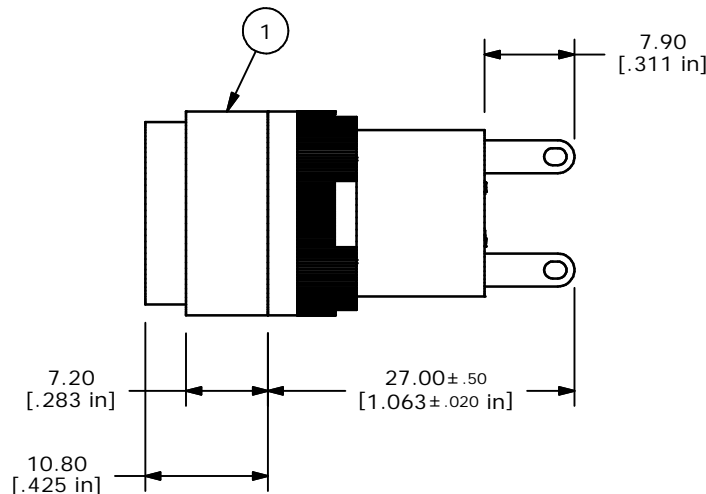
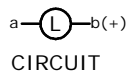
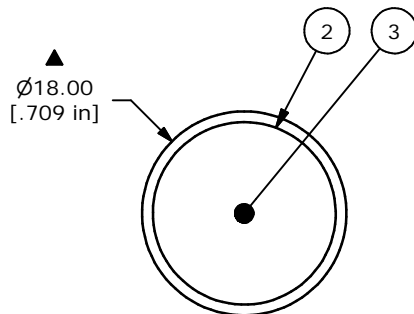


RECOMMENDED PANEL MOUNTING



PARTS LIST			
ITEM	QTY	PART NUMBER	DESCRIPTION
1	1	F040003	L16PL10 BODY
2	1	F050112	50-001-12 GREEN FLAT TRANSPARENT LENS
3	1	F050419	50-004-19 GREEN 12V LAMP



- NOTE:
1. ALL DIMENSIONS IN MM [INCH]
 2. GENERAL TOLERANCE: X.X=±0.4
X.XX=±0.25
 3. TERMINAL NUMBERS FOR REF ONLY
 4. OPERATING TEMP: -25°C to +55°C
 5. STORAGE TEMP: -40°C TO +85°C
 - ▲ 6. LAMP VOLTAGE: 12VDC LED
 7. ▲ DENOTES CRITICAL PARAMETER.

E-SWITCH®

A	14241	RELEASED FOR PRODUCTION	8/17/04	AR
REV	PCR NO	DESCRIPTION	DATE	BY

TITLE L16PLR10JGRNGRN				
SCALE	DATE	DR	DWG	REV
1.5:1	8/17/04	AR	XF0602P	A

THE INFORMATION CONTAINED IN THIS DOCUMENT IS PROPRIETARY TO E-SWITCH AND IS NOT TO BE COPIED OR TRANSFERRED