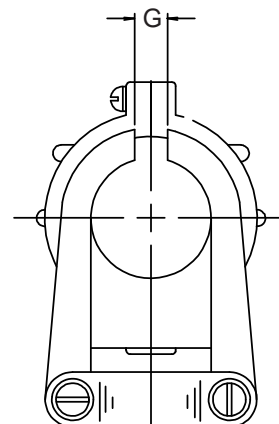
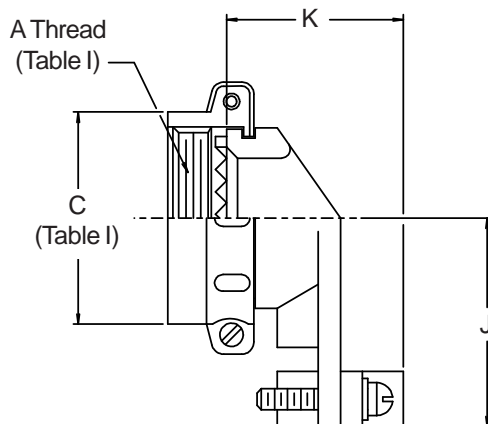
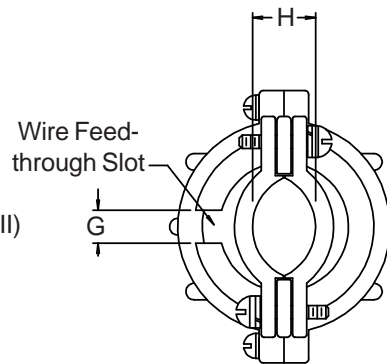
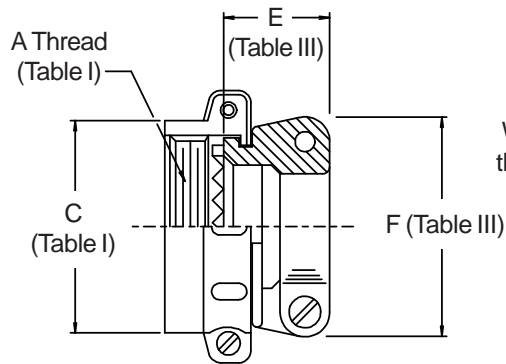
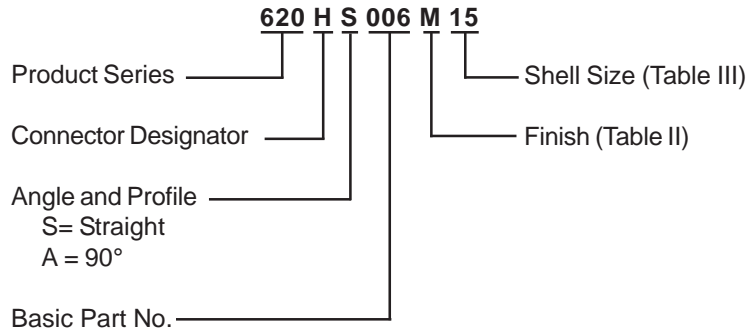


**CONNECTOR  
 DESIGNATOR  
 A-F-H-L  
 ROTATABLE  
 COUPLING**



**620-006**  
**Split Strain Reliefs**  
 Rotatable Coupling - Straight and 90°



**TABLE III: CABLE ENTRY**

Shell Size		H Cable Entry												
Conn. Desig.	E	F	G									J	K	
A,F,L	Max	Nom	Min	Closed		Open				Max	Max			
H														
08	09	.602 (15.3)	.752 (19.1)	.125 (3.2)	.125 (3.2)	.204 (5.2)	.808 (20.3)	.704 (17.9)						
10	11	.712 (18.1)	.832 (21.1)	.125 (3.2)	.187 (4.7)	.286 (7.3)	.867 (22.0)	.786 (20.0)						
12	13	.837 (21.3)	.988 (25.1)	.188 (4.8)	.291 (7.4)	.416 (10.6)	.929 (23.6)	.979 (24.9)						
14	15	.837 (21.3)	1.046 (26.6)	.188 (4.8)	.351 (8.9)	.476 (12.1)	.992 (25.2)	1.039 (26.4)						
16	17	.962 (24.4)	1.319 (33.5)	.188 (4.8)	.501 (12.7)	.625 (15.9)	1.056 (26.8)	1.188 (30.2)						
18	19	1.212 (30.8)	1.451 (36.9)	.250 (6.4)	.578 (14.7)	.706 (17.9)	1.233 (31.3)	1.300 (33.0)						
20	21	1.337 (34.0)	1.557 (39.5)	.250 (6.4)	.581 (14.8)	.831 (21.1)	1.296 (32.9)	1.425 (36.2)						
22	23	1.462 (37.1)	1.653 (42.0)	.312 (7.9)	.644 (16.4)	.956 (24.3)	1.358 (34.5)	1.550 (39.4)						
24	25	1.587 (40.3)	1.775 (45.1)	.312 (7.9)	.706 (17.9)	1.081 (27.5)	1.420 (36.1)	1.675 (42.5)						
28		1.731 (44.0)	2.020 (51.3)	.312 (7.9)	.750 (19.1)	1.187 (30.1)	1.634 (41.5)	1.813 (46.1)						

1. Cable Entry is defined as the accommodation entry for the wire bundle or cable. Dimensions are not intended for inspection criteria.
2. Metric dimensions (mm) are indicated in parentheses.