

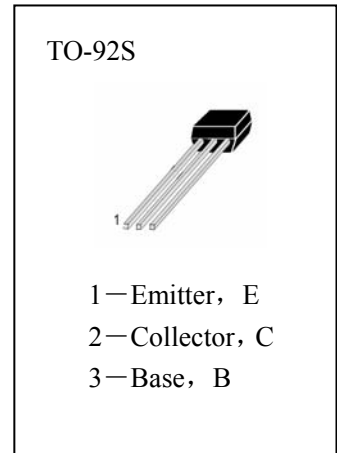


APPLICATIONS

Switching Circuit, Interface Circuit.

ABSOLUTE MAXIMUM RATINGS (Ta=25°C)

- Tstg—Storage Temperature..... -55~150°C
Tj—Junction Temperature.....150°C
Pc—Collector Dissipation.....300mW
Vcbo—Collector-Base Voltage.....-50V
Vceo—Collector-Emitter Voltage.....-50V
Vebo—Emitter-Base Voltage.....-5V
Ic—Collector Current.....-100mA



ELECTRICAL CHARACTERISTICS (Ta=25°C)

Table with 7 columns: Symbol, Characteristics, Min, Typ, Max, Unit, Test Conditions. Rows include BVcbo, BVceo, BVebo, ICBO, IEBO, HFE, VCE(sat), VI(off), VI(on), R1, ft, Cob.

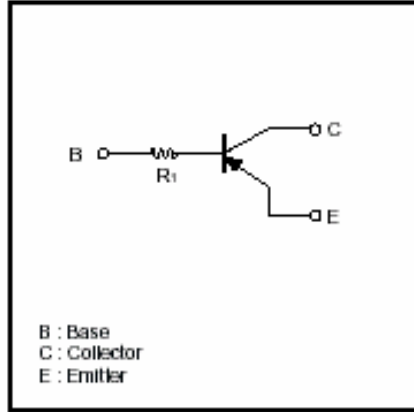
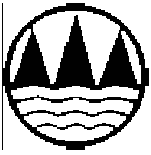


Fig1. DC Current Gain

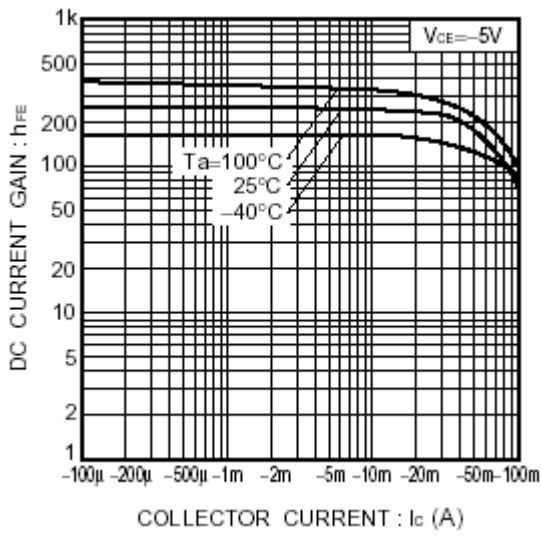


Fig2. Collector-Emitter Saturation Voltage

