



Features

- ◇ For RF SAW filter
- ◇ Single-double operation
- ◇ Ceramic Surface Mount Package
- ◇ Small size
- ◇ No matching required for operation at 50Ω
- ◇ RoHS compliant (2002/95/EC), Pb-free

Specifications

Parameter	Unit	Minimum	Typical	Maximum	
Center Frequency	MHz	-	465	-	
Insertion Loss(462.5~467.5MHz)	dB	-	1.8	2.5	
Passband Variation(462.5~467.5MHz)	dB	-	0.6	1	
Input/Output VSWR(462.5~467.5MHz)	-	-	1.7	1.9	
Amplitude Imbalance(462.5~467.5MHz)	dB	-	0.1	0.5	
Phase Imbalance(462.5~467.5MHz)	deg	-	1	2	
Ultimate Rejection	0.5~452.5MHz	dB	40	45	-
	452.5~457.5MHz	dB	40	48	-
	485~495MHz	dB	23	29	-
	495~530MHz	dB	42	46	-
	530~1200MHz	dB	50	60	-
	1200~2000MHz	dB	30	40	-
Ambient Temperature	°C		25		
Operating Temperature Range	°C	-10	-	+85	
Storage Temperature Range	°C	-50	-	+125	
DC Voltage	V		0		
Input Power	dBm	-	-	20	
ESD Class	-		1A		
Package Size		SMD3.0*3.0			

Notes:

1. All specifications are based on the test circuit shown;
2. In production, all specifications are measured by Agilent Network analyzer and full 2 port calibration at room temperature;
3. Electrical margin has been built into the design to account for the variations due to temperature drift and manufacturing tolerances;
4. This is the optimum impedance in order to achieve the performance show.

	SIPAT Co., Ltd. (CETC No.26 Research Institute) #14 Nanping Huayuan Road, Chongqing, China, 400060	Part Number	LBT46504	
		Rev. Date	2010-09-10	
		Ver.	1.0	Page 1/3

Matching Configuration

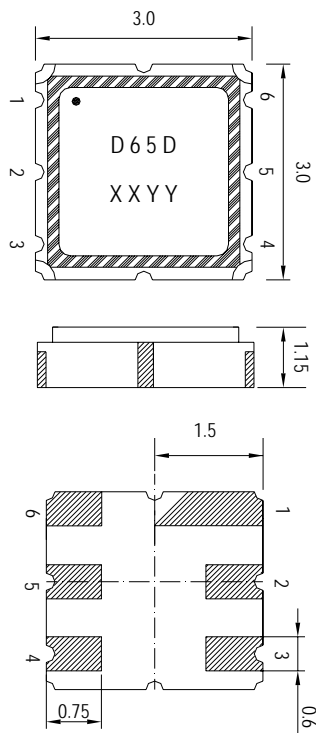


Source Impedance=50 ohm

Load Impedance=100 ohm

Notes - Component values may change depending
on board layout.

Package Dimension



Pad Configuration:

Input: 2

Output: 4,6

Ground: All Others

Marking Configuration:

1) •: Pad Number 1 Index

2) D65D: Part Number

3) XXYY: Date(Year/month)

Package: SMD3.0*3.0

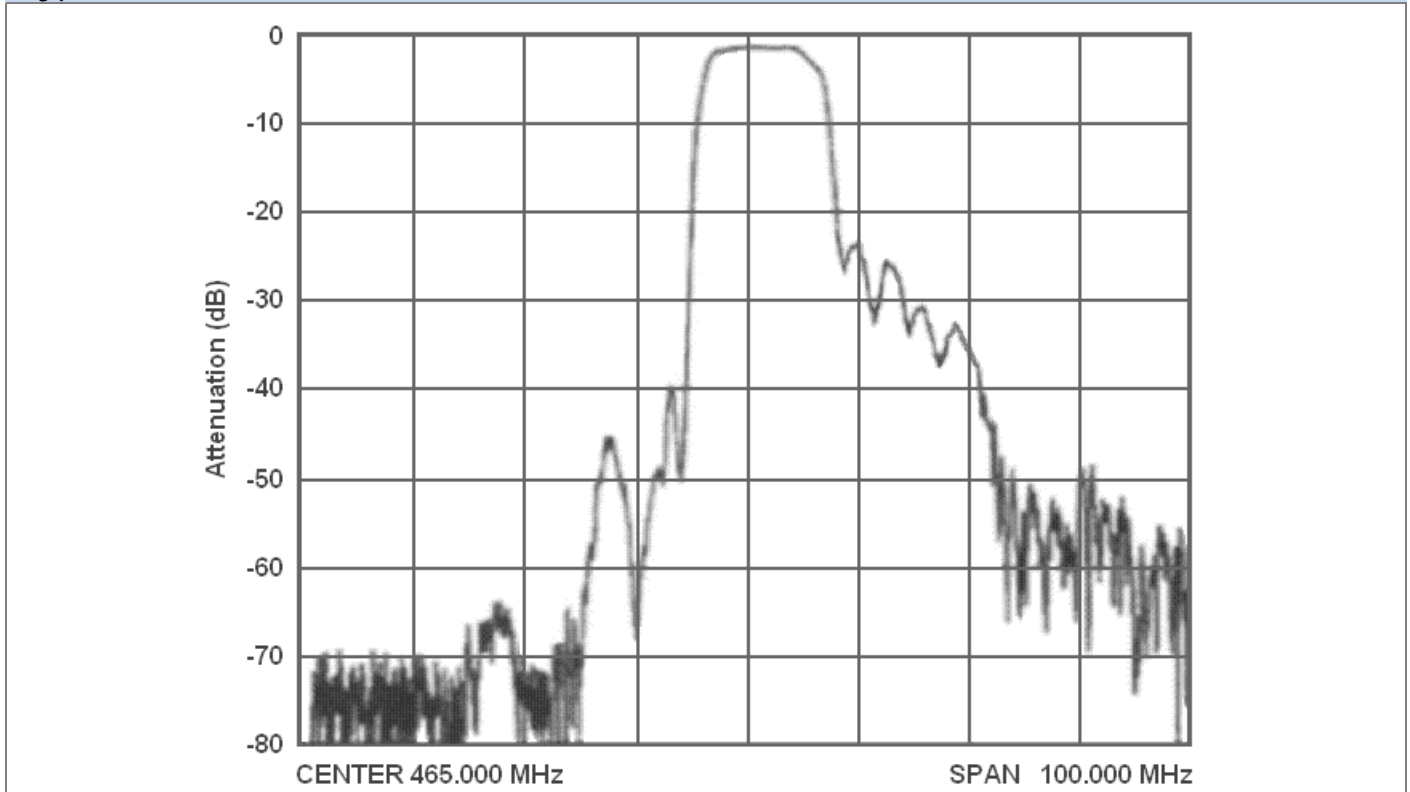
Unit: mm



SIPAT Co., Ltd.
(CETC No.26 Research Institute)
#14 Nanping Huayuan Road,
Chongqing, China, 400060

Part Number	LBT46504	
Rev. Date	2010-09-10	
Ver.	1.0	Page 2/3

Typical Performance



SIPAT Co., Ltd.
(CETC No.26 Research Institute)
#14 Nanping Huayuan Road,
Chongqing, China, 400060

Part Number	LBT46504	
Rev. Date	2010-09-10	
Ver.	1.0	Page 3/3