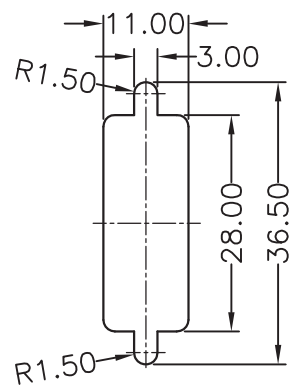


Panel Thickness

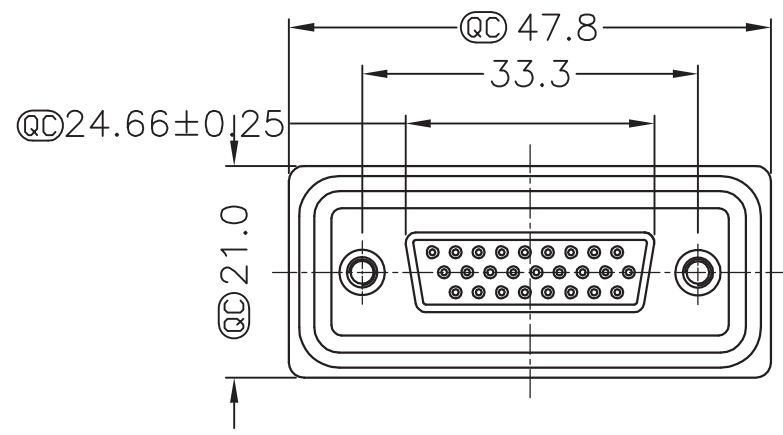
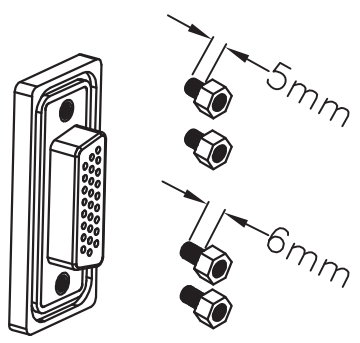
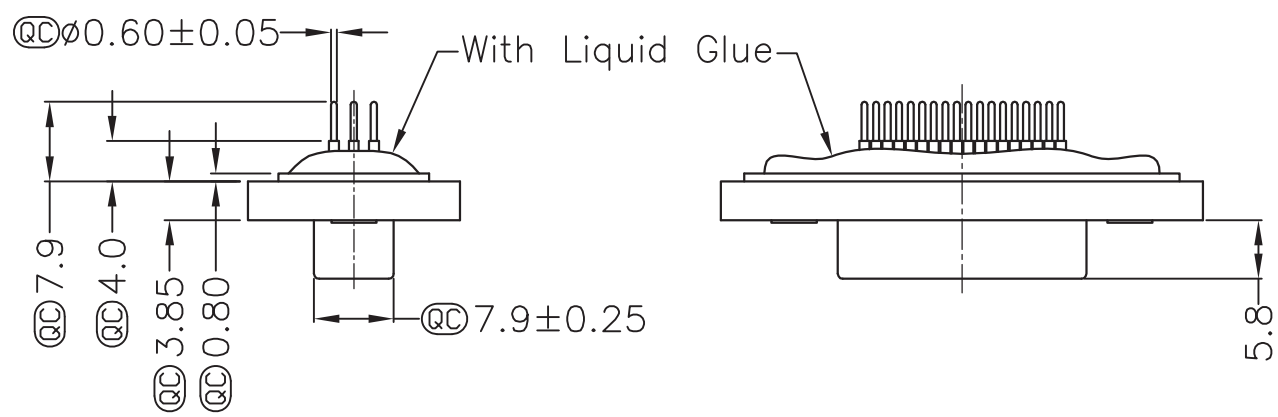
X(Max.)

Screw L=5.0 For Panel Thickness Under 1.2mm  
 1.2mm

Screw L=6.0 For Panel Thickness Between 1.2~2.0mm  
 1.2~2.0mm

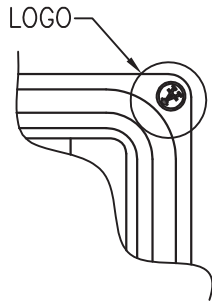


Recommended Panel Cut-Out



**Material:**

- Waterproof Rate: IP67
- Connector: Black, Nylon + GF
- Pin: Copper Alloy, Gold Plated
- Do Mating Test After Glued



Ⓜ = Assmann logo



|          |   |
|----------|---|
| ITEM NO. | <b>A-HDF-26-PP-WP-R</b>                               |
| TITLE    | D-Sub Waterproof - High Density, Female, 26-Pin, 180° |

**ASSMANN**  
 Electronics, Inc.

1840 W. Drake Drive, Suite 101 • Tempe, AZ 85283  
 Toll Free: 1-877-277-6266 • Email: info@usa-assmann.com

THIS DRAWING IS UNPUBLISHED  
 ©Copyright 2010 by Assmann Electronic Components  
 All International Rights Reserved