



Features

- Shielded construction
- Unit height of 5.7 mm
- Inductance range: 0.47 μ H to 3.3 μ H
- Current up to 30 A
- RoHS compliant*
- Lead free**

Applications

- Input/output of DC/DC converters
- Power supplies for:
 - Portable communications equipment
 - Camcorders
 - LCD TVs
 - Car audio systems

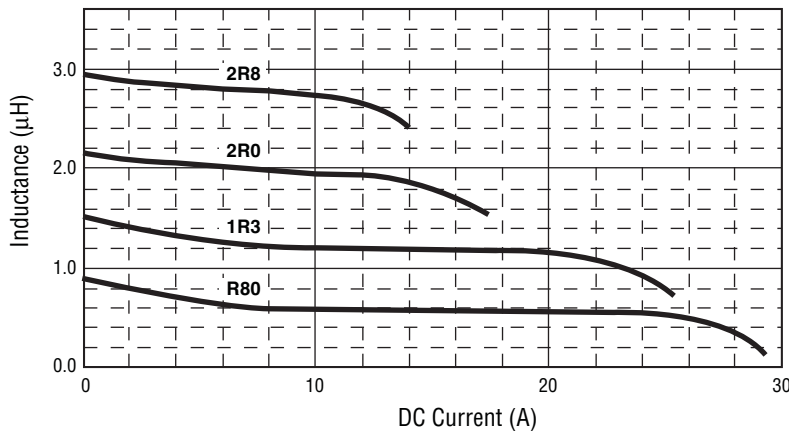
BOURNS®

SRP1206 Series - Shielded Power Inductors

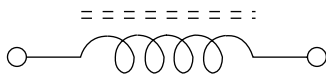
Electrical Specifications

| Bourns Part No. | Initial Inductance L0 (μ H) | Inductance at Flat Point L1 (μ H) | Flat Point ref. (A) | I rms (A) | I sat (A) | DCR (m Ω) max. |
|-----------------|----------------------------------|--|---------------------|-----------|-----------|------------------------|
| SRP1206-R47Y | 0.70 \pm 25 % | 0.47 \pm 25 % | 5.0 | 30.0 | 30.0 | 2.3 |
| SRP1206-R60Y | 0.90 \pm 25 % | 0.60 \pm 25 % | 5.0 | 28.0 | 26.0 | 2.3 |
| SRP1206-R80Y | 1.10 \pm 25 % | 0.80 \pm 25 % | 5.0 | 26.0 | 25.0 | 3.2 |
| SRP1206-1R3Y | 1.50 \pm 25 % | 1.30 \pm 25 % | 4.0 | 22.0 | 19.0 | 3.6 |
| SRP1206-2R0Y | 2.20 \pm 25 % | 2.00 \pm 25 % | 4.0 | 17.0 | 15.0 | 6.0 |
| SRP1206-2R8Y | 3.00 \pm 25 % | 2.80 \pm 25 % | 3.0 | 15.0 | 13.0 | 7.0 |
| SRP1206-3R3Y | 3.50 \pm 25 % | 3.30 \pm 25 % | 3.0 | 14.0 | 12.0 | 7.0 |

L vs I Charts



Electrical Schematic



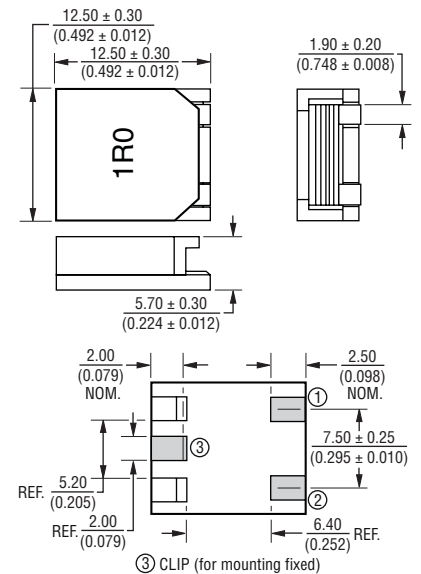
General Specifications

Test Voltage.....1 V
 Test Frequency100 KHz
 Reflow Soldering.....230 °C; 50 sec max.
 Operating Temperature ..-55 °C to +150 °C
 (Temperature rise included)
 Storage Temperature...-55 °C to +150 °C
 Resistance to Soldering Heat
+260 °C for 10 sec.

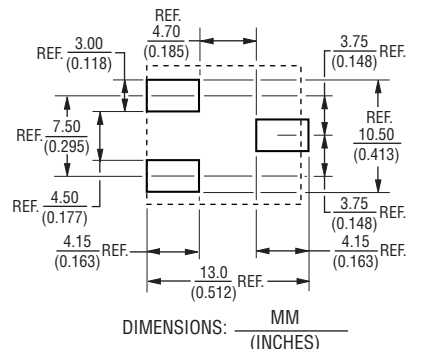
Materials

Core.....Ferrite ER
 Wire.....Enameled copper
 TerminalCu/Sn
 Rated Current.....Ind. drops 20 % at I sat
 Temperature Rise.....40 °C at rated I rms
 Packaging600 pcs. per 13-inch reel

Product Dimensions



Recommended Layout

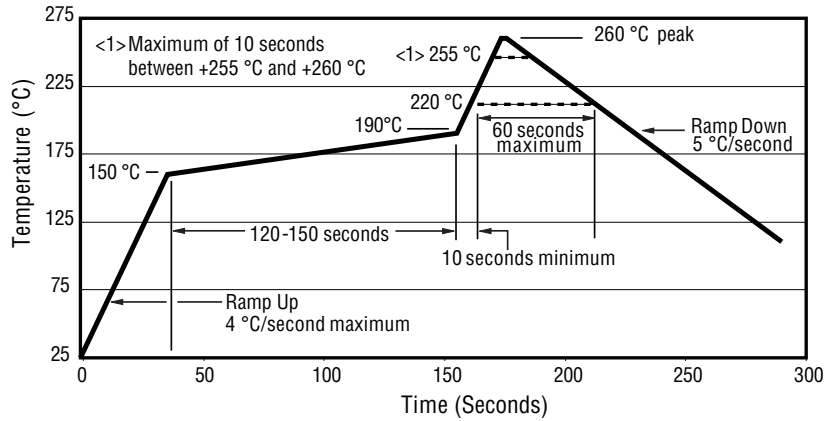


*RoHS Directive 2002/95/EC Jan 27, 2003 including Annex
 **No lead detected in standard tests of homogeneous materials.
 Specifications are subject to change without notice.
 Customers should verify actual device performance in their specific applications.

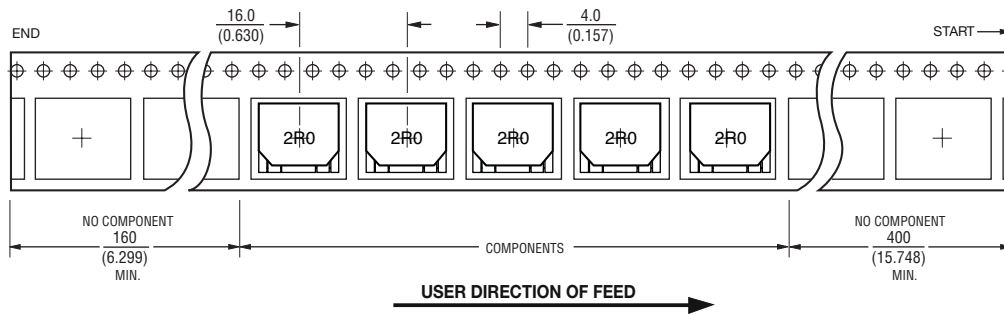
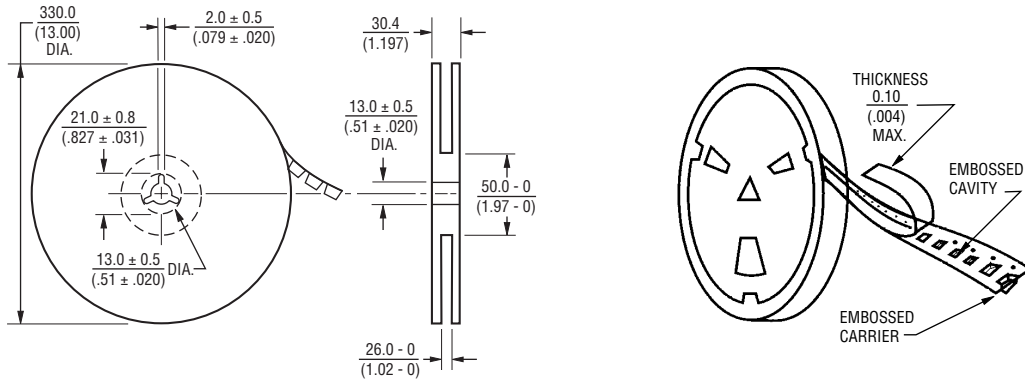
SRP1206 Series - Shielded Power Inductors

BOURNS®

Soldering Profile



Packaging Specifications



DIMENSIONS: $\frac{\text{MM}}{\text{(INCHES)}}$