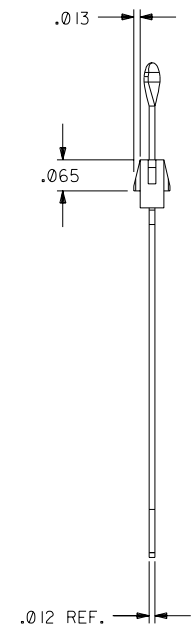
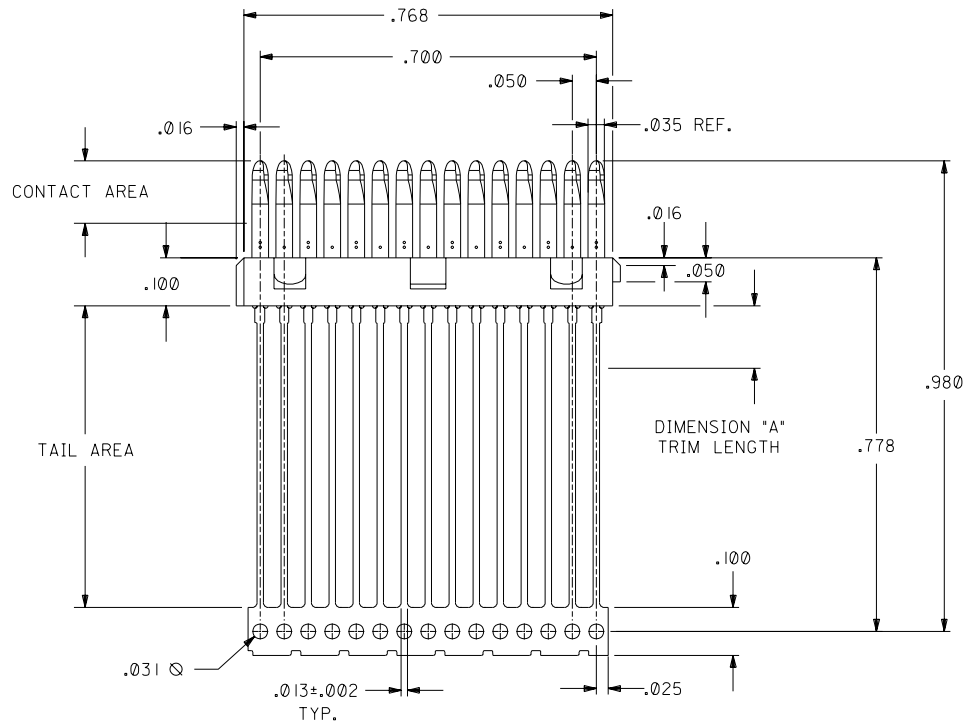
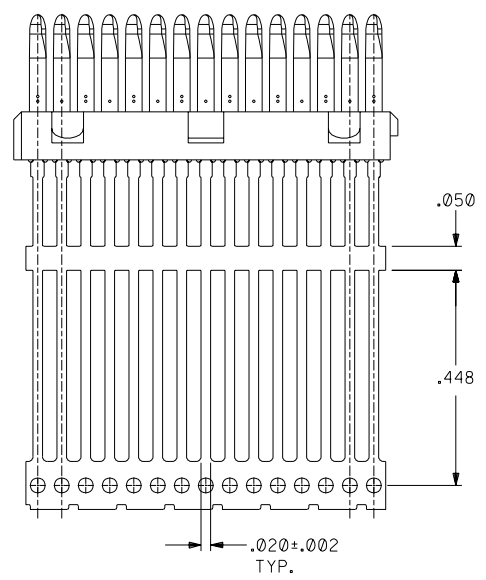


PART NUMBER	ENGINEERING NUMBER	DIMENSION "A"	BUSBAR OPTION	PLATING	
				CONTACT AREA	TAIL AREA
051-24-2021	70984-1001	N/A	NO	.000030/(0.00076) MINIMUM GOLD OVER A NICKEL UNDERPLATE	.000100/(0.00254) MINIMUM TIN OVER A NICKEL UNDERPLATE
051-24-2022	70984-1002	.130±.010	NO	.000030/(0.00076) MINIMUM GOLD OVER A NICKEL UNDERPLATE	.000100/(0.00254) MINIMUM TIN OVER A NICKEL UNDERPLATE
70984-1007		N/A	YES	.000030/(0.00076) MINIMUM GOLD OVER A NICKEL UNDERPLATE	.000050/(0.00127) MINIMUM NICKEL
70984-1010		N/A	YES	.000030/(0.00076) MINIMUM GOLD OVER A NICKEL UNDERPLATE	.000200/(0.00508) MINIMUM TIN OVER A NICKEL UNDERPLATE
70984-1014		.130±.010	NO	GOLD FLASH OVER A NICKEL UNDERPLATE	

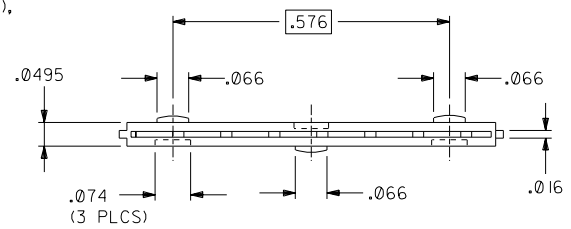
BUSBAR OPTION
(SEE CHART FOR PART #'S)



NOTES

- MATERIALS:
INSULATOR: GLASS FILLED LIQUID CRYSTAL POLYMER (LCP), UL 94V-0, COLOR: BLACK.
TERMINAL: PHOSPHOR BRONZE, .012 THICK.
PLATING: SEE CHART
- FOR PART NUMBERS AND PLATING OPTIONS, SEE CHART.
- PARTS CONFORM TO PRODUCT SPECIFICATION PS-70928.
- PACKAGED PER SPECIFICATION PK-70873-0335 APPLIES.

NOTE FOR LEAD FREE CONVERSION:
THE PRIMARY SHIPPING CARTON WILL BE LABELED "COMPLIANT TO ROHS DIRECTIVE 2002/95/EC AND ELV ANNEX II OF DIRECTIVE 2000/53/EC". CARTONS WITHOUT THIS LABEL MAY CONTAIN PRODUCT WITH LEAD.



DIMENSIONS ARE IN INCHES

MFG.	SH.	REV.	LTR.	REVISIONS

UNLESS OTHERWISE SPECIFIED TOLERANCES: ANGULAR ± 1/2°		TITLE	
3 PLACE ± .010	INCH	15ck+ LFH PLUG	
2 PLACE ± --- ± ---	METRIC	INSERT MOLDED CONTACT	
1 PLACE --- ± ---		ASSEMBLY - SALES DETAIL	
DRAFT WHERE APPLICABLE MUST REMAIN WITHIN DIMENSIONS		MOLEX INCORPORATED	SHEET NO. DATE
		1 OF 1	1 OF 1 08/04/93
DRWG. BY SCHMIDGALL		SEE CHART	SDA-70984-100*
CHK'D. BY MOS	SCALE 5:1	FILE NAME 570984X1.DGN	THIS DRAWING CONTAINS INFORMATION THAT IS PROPRIETARY TO MOLEX INC. AND SHOULD NOT BE USED WITHOUT WRITTEN PERMISSION

70984