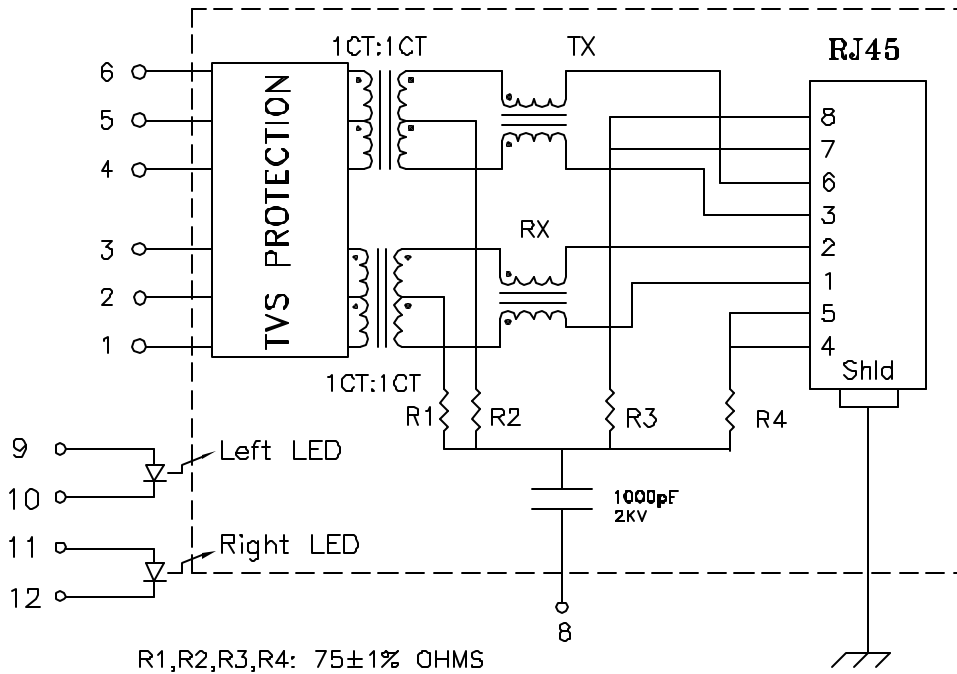


Schematic:



Electrical Specifications: @25°C

Isolation Voltage: 1500 Vrms (Input to Output)

Turns Ratio: TX 1CT:1CT ±3% RX 1CT:1CT ±3%

CABLE SIDE OCL: 350uH Minimum @100KHz 100mV 8mADC

Cw/w: 27pF Typical @100KHz 100mV

Insertion Loss (300KHz-100MHz): -1.0dB Maximum

Return Loss: @30MHz -18dB Minimum

@80MHz -12dB Minimum

Q: 18 Min @100KHz 0.1V

Notes:

- Solderability: Leads shall meet MIL-STD-202G, Method 208H for solderability.
- Flammability: UL94V-0
- ASTM oxygen Index: > 28%
- Insulation System: Class F 155°C. UL file E151556
- Operating Temperature Range: All listed parameters are to be within tolerance from -40°C to +85°C
- Storage Temperature Range: -55°C to +125°C
- Aqueous wash compatible
- Electrical and mechanical specifications 100% tested
- RoHS Compliant Component
- Designed to meet GR1089 Intra-Building Lightning Standard

Complete the Combo P/N as follows:

Replace 'x' & 'u' in the part number with one of the LED color letters:

Y=Yellow
G=Green
A=Amber
R=Red
C=Green(1)/Amber(2) Bicolor
D=Amber(1)/Green(2) Bicolor
M=Green(1)/Yellow(2) Bicolor
N=Yellow(1)/Green(2) Bicolor
P=Red(1)/Green(2) Bicolor
Q=Green(1)/Red(2) Bicolor
E=Red(1)/Yellow(2) Bicolor
F=Yellow(1)/Red(2) Bicolor
H=Amber(1)/Yellow(2) Bicolor
J=Green(1)/Green(2) Bicolor

*x = Left LED Color
*u = Right LED Color

Single Color LED:

Bi-Color LED:

DOC REV: B/1

XFMRs Inc.
www.XFMRs.com

Title: **SINGLE PORT COMBO**

UNLESS OTHERWISE SPECIFIED
TOLERANCES:
.xxx ±0.010

P/N: XFATM9D-CLxu1-4MS

REV. B

Dimensions in Inch

DWN.

Xian yi

Dec-11-09

CHK.

YK Liao

Dec-11-09

SHEET 1 OF 2

APP.

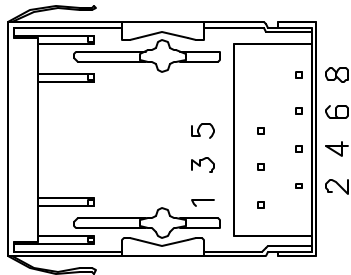
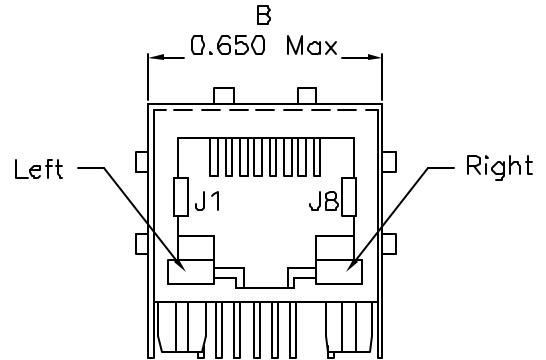
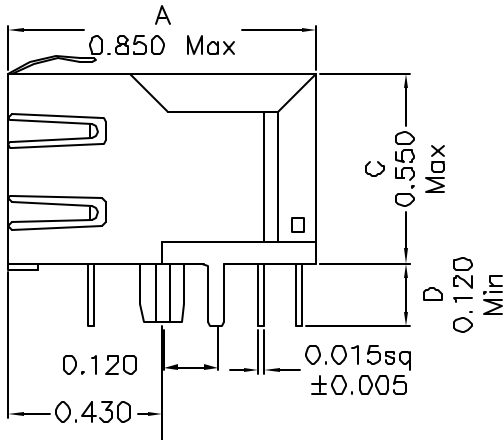
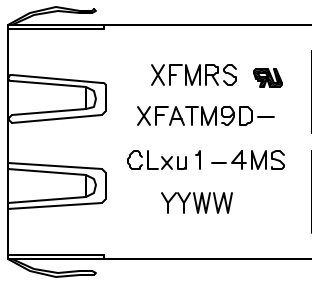
Joe Huff

Dec-11-09

PROPRIETARY:

Document is the property of XFMRs Group & is not allowed to be duplicated without authorization.

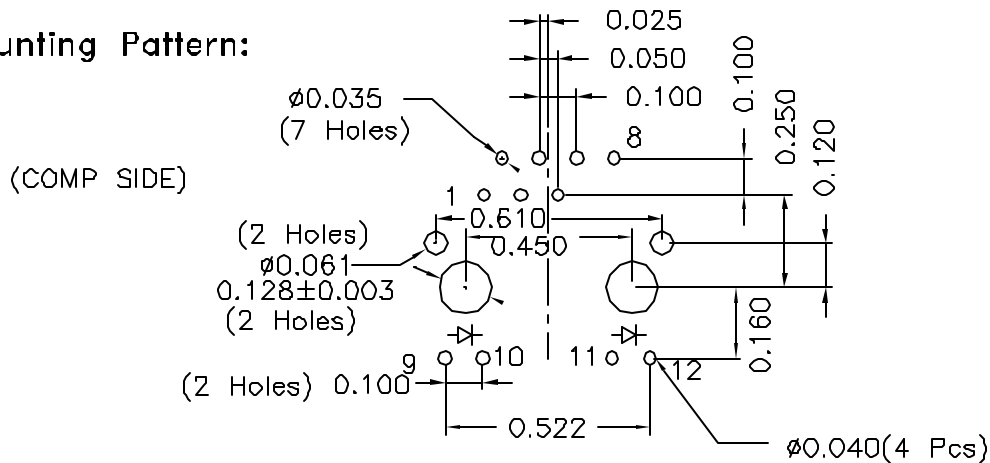
Mechanical Dimensions:



(BOTTOM VIEW)

*Remove Pin#7

Mounting Pattern:



DOC REV: B/1

XFMRS Inc. www.XFMRS.com	Title: Mechanical Dimensions For CLxu1-4MS Series		
	UNLESS OTHERWISE SPECIFIED TOLERANCES: .xxx ±0.010 Dimensions in Inch	P/N: XFATM9D-CLxu1-4MS	REV. B
SHEET 2 OF 2	APP. Joe Huff	Dec-11-09	Dec-11-09

PROPRIETARY:

Document is the property of XFMRS Group & is not allowed to be duplicated without authorization.