

DWG. NO.

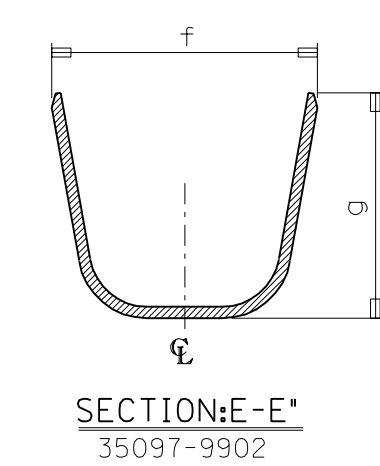
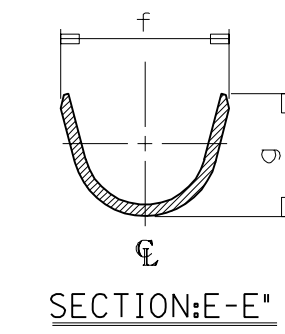
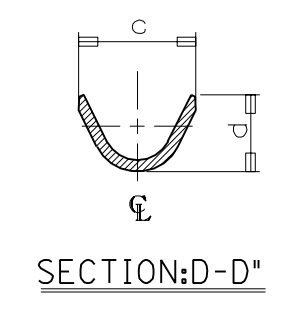
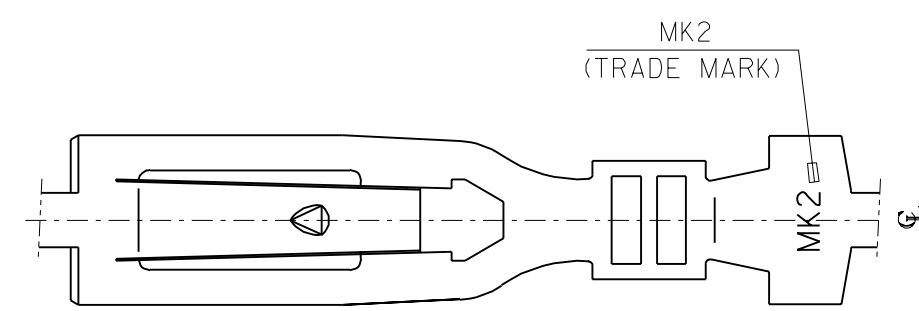
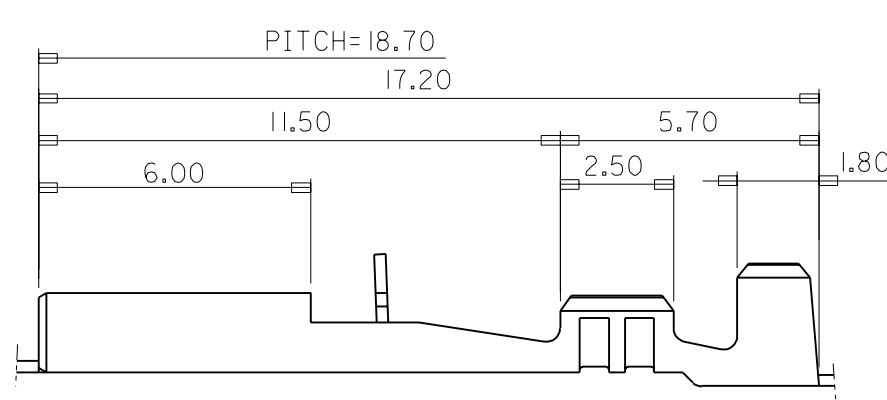
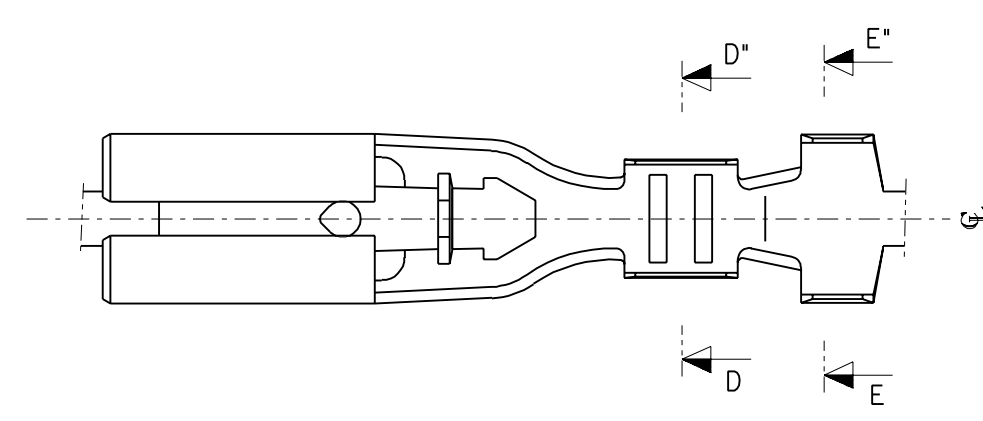
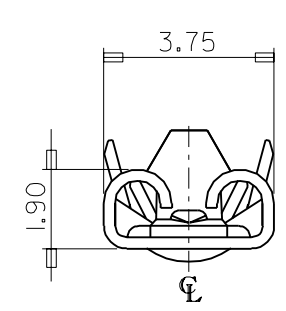
SIMILAR ITEM

PROJECT NO.

C

B

DO NOT SCALE DRAWING DIMENSION IN METRIC



- NOTES**
- MATERIAL: TIN-PLATED BRASS 0.25mm THICK'
 - FINISH: PRE-TIN PLATING
 - MATING TAB: 0.5(+) \times 2.8(w)

ENG.NO.	c	d	f	g	WIRE RANGE
35097-9712	2.0	1.85	3.3	3.0	AWG #26-#20
35097-9812	2.8	2.75	4.0	4.1	AWG #20-#16
35097-9912	2.8	2.75	5.9	5.0	AWG #20 \times 2

REVISED EC NO. KOR2000-0090 DRWN: W.Y.YANG 00/11/08 CHK: APPR:	DESCRIPTION	QUALITY SYMBOLS	GENERAL TOLERANCES: (UNLESS SPECIFIED)		SCALE 6:1	DESIGN UNITS <input checked="" type="checkbox"/> mm <input type="checkbox"/> INCH	THIRD ANGLE PROJECTION	DIMENSIONS: <input type="checkbox"/> mm <input type="checkbox"/> INCH <input checked="" type="checkbox"/> mm ONLY		SHT	REV
		MAJOR = 0 CRITICAL = 0	mm	INCH	DRAWN BY & DATE W.Y.YANG 98/02/17	TITLE: .110 MP-LOCK RECEPTACLE TERMINAL		MATERIAL NO. SEE TABLE		DRAWING NO. SD 35097-9*12	SHEET NO. 10F1
D1	REV		ANGULAR: $\pm 5.0^\circ$		APPROVED BY & DATE C.W.LEE 98/02/17		DRAWING NO. MOLEX INCORPORATED KOREA		THIS DRAWING CONTAINS INFORMATION THAT IS PROPRIETARY TO MOLEX INCORPORATED AND SHOULD NOT BE USED WITHOUT WRITTEN PERMISSION.		
			DRAFT WHERE APPLICABLE MUST REMAIN WITHIN DIMENSIONS		CAD FILENAME S0979712.DGN		DRAWING NO. MOLEX INCORPORATED KOREA		SHEET NO. 10F1		MX-A3