

Product Summary Sheet

HV9971

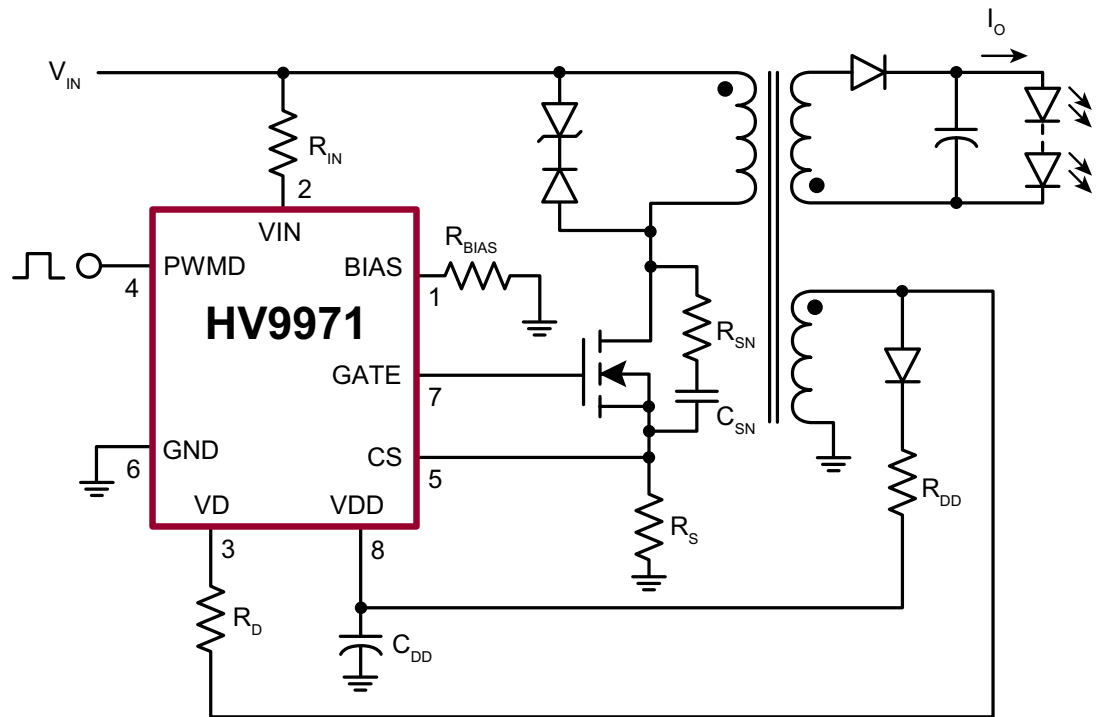
Isolated, Constant Current LED Driver

Applications:

- ▶ Low Power Lighting Fixtures



8-Lead SOIC (LG)



Typical Application Circuit

Product Overview:

The HV9971 is a primary-side control IC for driving a discontinuous conduction mode (DCM) flyback LED driver. The IC is optimized for operation at a constant full-load switching frequency of 100kHz and the universal input AC voltage range of 80-264VAC. It maintains 3% variation of the LED current setting, and features tight line and load regulation. The proprietary primary-side output current control employed in the HV9971 makes the output current setting insensitive to most component tolerances and parasitics without use of an opto-feedback.

The HV9971 LED driver is fully protected against output open and short circuit conditions and input under-voltage. It also offers a logic input for dimming the LED light output by means of pulse-width modulation of the output current.

The HV9971 is ideally suited for driving high-brightness LEDs in low-power lighting fixtures such as incandescent bulb retrofits.

Features:	Benefits:
Isolated solution	Complies with UL requirements; easy design
Primary side current sensing	No optocoupler required; reduced circuit cost and size
Universal 80-264VAC input	Versatile, one design for worldwide use
PWM dimming	Simple controls to adjust LED brightness



030211

Supertex inc

Isolated, Constant Current LED Driver

Ordering Information / Availability

Part Number	Package Option	Samples	Lead Time
HV9971LG-G	8-Lead SOIC (Green)	Now	4-6 Weeks ARO

-G indicates the part is RoHS compliant (Green).



Product Contact

For any questions regarding the HV9971, please contact your local area Supertex sales office, or contact the main office in the US at:

Telephone: 800-222-8888
Fax: 408-222-4895
EMail: mktg@supertex.com
Website: www.supertex.com