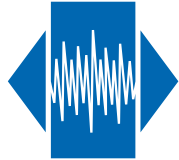


MCO-3S-L

Low power SMD Clock Oscillator
CMOS

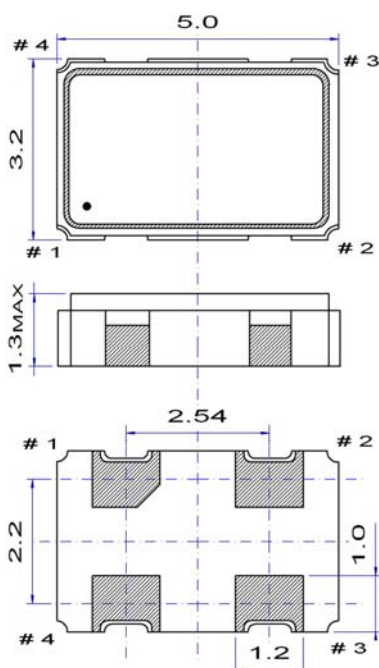
QuartzCom
the communications company



Features

- Applications: telecommunications, wireless communications
- Miniature package: 5.0 x 3.2 x 1.2 mm
- Low power consumption
- High shock and vibration resistant

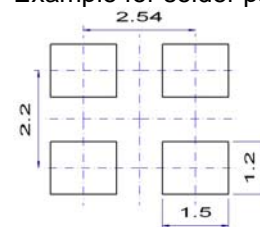
Parameter	Specification		
	MCO-3S18L	MCO-3S25L	MCO-3S3L
Frequency range	1 ~ 50 MHz		
Standard frequencies	16.00, 20.00, 24.00, 32.00, 40.00 & 44.00 MHz		
Supply voltage	+1.8 V \pm 5 %	+2.5 V \pm 5 %	+3.3 V \pm 5 %
Supply current	2 ~ 5 mA		
Frequency stability (*)	\pm 25 ~ \pm 50 ppm		
Output signal	CMOS		
Output level	$V_{OH} \geq 0.9$ Vdc		$V_{OL} \leq 0.1$ Vdc
Output load	15 pF		
Jitter (rms)	< 1 ps	@ 12 kHz ~ 20 MHz from carrier frequency	
Symmetry	45 ~ 55 %	@ $\frac{1}{2}$ Vdc	
Rise / Fall time	3 ~ 6 ns		
Tri-state function	pin #1 = high or open pin #1 = low	pin #3 \rightarrow signal pin #3 \rightarrow high impedance	
Operating temperature range	-20 ~ +70 °C -40 ~ +85 °C	standard application industrial application	
Storage temperature range	-55 ~ +125 °C		
Packaging units	tape & reel	1'000 pieces	
(*) All inclusive: frequency stability vs. temperature, tolerance, aging, supply & load variation, on request			
Customer specifications on request			



Pin function

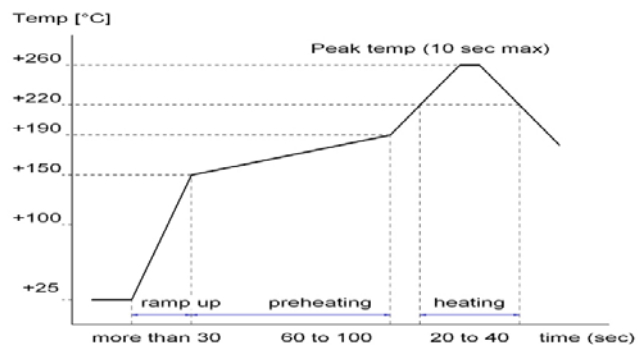
- # 1 Tri-state
- # 2 GND
- # 3 Output
- # 4 Vdc

Example for solder pattern



Do not design any conductive path between the pattern

Example for IR reflow soldering temperature



2002/95/EC RoHS compliant

20 Apr. 10

