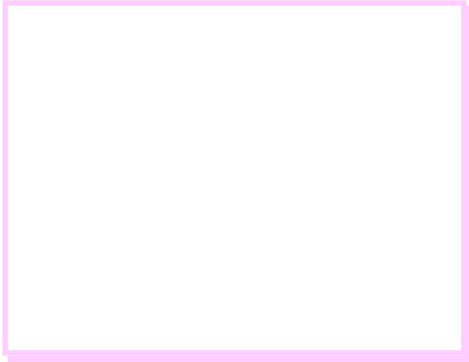


# Transformer

## EPA1517

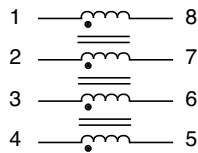


- Data Line Application •
- EMI-RFI Suppression •
- Frequency Range of 1-100 MHz •
- DIL Package •

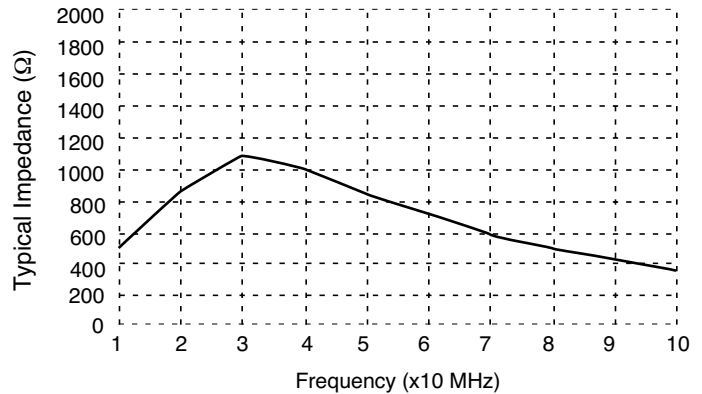
### Electrical Parameters @ 25° C

Primary Inductance (μH Min.)	Interwinding Capacitance (pF Max.)	Leakage Inductance (μH Max.)	Insulation Resistance (Ω Min.)	Hipot (Vrms)	DCR (Ω Max.)	Turns Ratio (± 5 %)
@ 100 KHz, 20m Vrms	@ 100 KHz, 20m Vrms	@ 100 KHz, 20m Vrms	@ 500 Vdc (Between Wdgs)	(Between Wdgs)	Each Wdg	Each Wdg
8.0	10.0	.20	10K Meg	500	.250	1:1:1:1

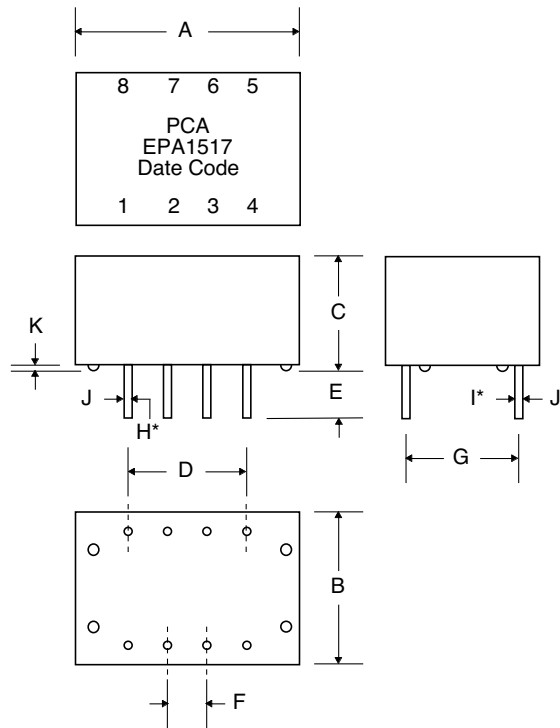
### Schematic



### Graph



### Package



### Dimensions

Dim.	(Inches)			(millimeters)		
	Min.	Max.	Nom.	Min.	Max.	Nom.
A	---	.585		---	14.86	
B	---	.400		---	10.16	
C	---	.300		---	7.62	
D	.300	Typ.		7.62	Typ.	
E	.105	.140		2.67	3.56	
F	.100	Typ.		2.54	Typ.	
G	.300	Typ.		7.62	Typ.	
H*	.018	Typ.		.505	Typ.	
I*	.010	Typ.		.254	Typ.	
J	.020	Typ.		.508	Typ.	
K	.023	.029		.584	.737	

Note : J ; #24 AWG .020 Dia., Tinned Copper  
Or H\* & I\*; Retangular Pins