

## Multi-Output Clock Synthesizer

### Features

- Generates multiple clock outputs from an inexpensive 25MHz crystal or external reference clock
- Frequency outputs:
  - 25MHz Reference clock
  - 33MHz
  - 48MHz (2 outputs)
  - 127MHz (2 outputs)
- Zero ppm frequency synthesis error for all CLK outputs
- Supply Voltage :3.3V  $\pm$  5%V
- Low jitter design
- Packaged in 16 pin TSSOP
- Industrial Temperature range
- Compatible with CY22393XC-F12
- Advanced low-power CMOS process

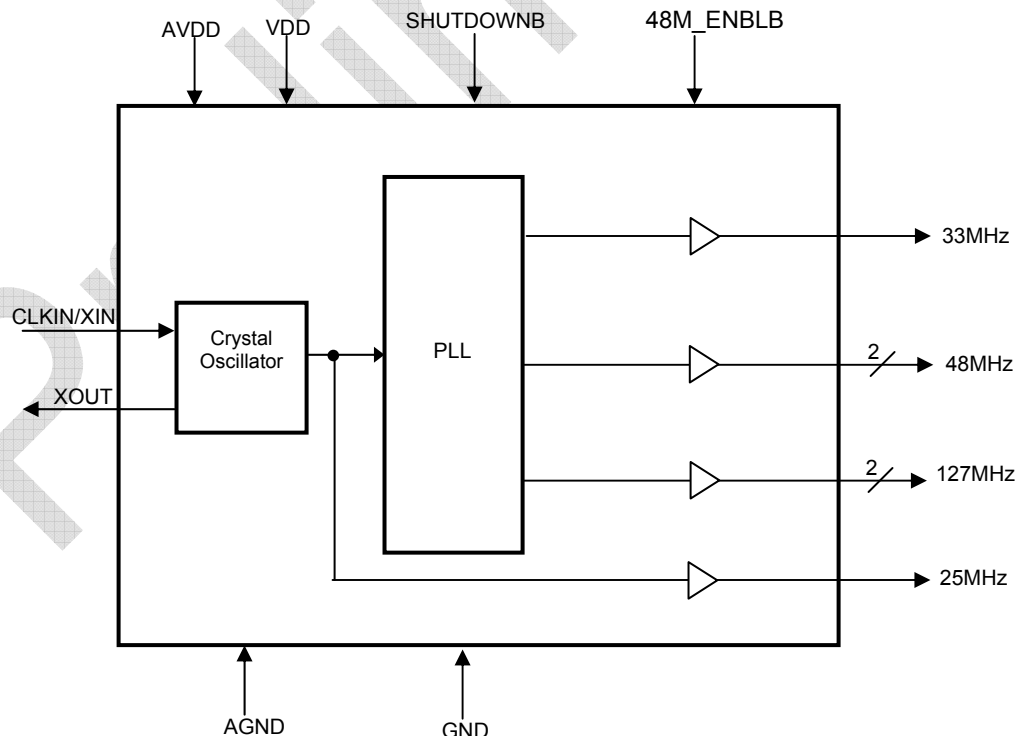
### Product Description

The PCS1P2859A is a Precision multi-PLL based frequency synthesizer. The six Clock outputs are generated using an inexpensive 25MHz Crystal. The outputs consist of 25 MHz reference clock, 33 MHz, two 127MHz and two 48MHz clocks. The SHUTDOWNNB tri-states all the clocks when enabled. The device operates from a Supply Voltage of 3.3V $\pm$ 5%V. The device is available in a 16-pin TSSOP JEDEC package for Industrial temperature range.

### Application

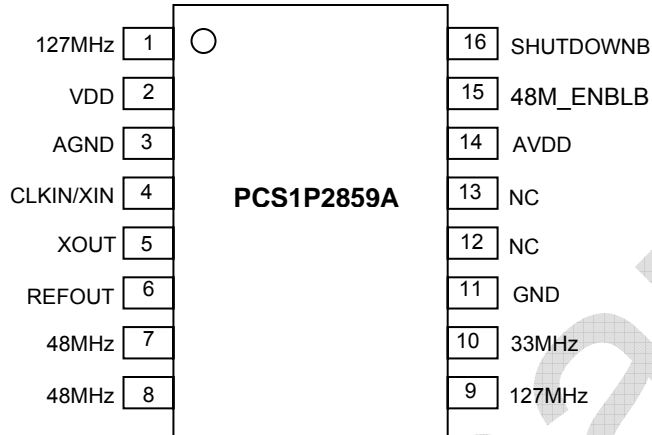
PCS1P2859A is targeted for use in high-end multimedia, communications and consumer applications.

### Block Diagram



rev 0.2

Pin Diagram



Pin Description

Pin #	Pin Name	Pin Type	Pin Description
1	127MHz	Output	127MHz Clock Output
2	VDD	Power	Connect to +3.3V
3	AGND	Power	Connect to ground
4	CLKIN / XIN	Input	External reference Clock or Input Crystal connection.
5	XOUT	Output	Connection to crystal. If using an external reference clock, this pin must be left unconnected
6	REFOUT	Output	25MHz Reference Clock output
7	48MHz	Output	48MHz Clock Output
8	48MHz	Output	48MHz Clock Output
9	127MHz	Output	127MHz Clock Output
10	33MHz	Output	33MHz Clock Output
11	GND	Power	Connect to ground
12	NC		No connection
13	NC		No connection
14	AVDD	Power	Connect to +3.3V
15	48M_ENBLB	Input	48MHz Output Enable bit. When this pin is made LOW, the 48MHz clocks are enabled. Tri-states 48MHz clocks when this pin is HIGH.
16	SHUTDOWNB	Input	Output Enable bit. When this pin is made HIGH, all clocks are enabled. Tri-states all clocks when this pin is LOW.

**Absolute Maximum Ratings**

Symbol	Parameter	Rating	Unit
VDD	Power Supply Voltage relative to Ground	-0.5 to +4.6	V
V <sub>IN</sub>	Input Voltage relative to Ground (Input Pins)	-0.5 to VDD+0.3	
T <sub>STG</sub>	Storage temperature	-65 to +150	°C
T <sub>s</sub>	Max. Soldering Temperature (10 sec)	260	°C
T <sub>J</sub>	Junction Temperature	125	°C
T <sub>DV</sub>	Static Discharge Voltage (As per JEDEC STD22- A114-B)	2	KV

Note: These are stress ratings only and are not implied for functional use. Exposure to absolute maximum ratings for prolonged periods of time may affect device reliability.

**Operating Conditions**

Parameter	Description	Min	Typ	Max	Unit
VDD /AVDD	Operating Voltage	3.135	3.3	3.465	V
T <sub>A</sub>	Operating Temperature (Ambient Temperature)	-40		+85	°C
C <sub>L</sub>	Load Capacitance			15	pF
C <sub>IN</sub>	Input Capacitance		5		pF

**DC Electrical Characteristics**

Symbol	Parameter	Conditions	Min	Typ	Max	Units
VDD /AVDD	Operating Voltage		3.135	3.3	3.465	V
V <sub>IH</sub>	Input High Voltage		2.2		VDD+0.3	V
V <sub>IL</sub>	Input Low Voltage		GND-0.3		1.0	V
V <sub>OH</sub>	Output High Voltage	VDD=3.135, I <sub>OH</sub> = -12mA	2.4			V
V <sub>OL</sub>	Output Low Voltage	VDD=3.135, I <sub>OL</sub> = 12mA			0.4	V
I <sub>OZ</sub>	Output Leakage Current	Three-state outputs			10	µA
I <sub>CC</sub>	Static Current	CLKIN and SHUTDOWN Pins pulled low			5.5	µA
I <sub>DD</sub>	Dynamic Current	No Load, All Clocks on			35	mA
Z <sub>OUT</sub>	Nominal output impedance			30		Ω

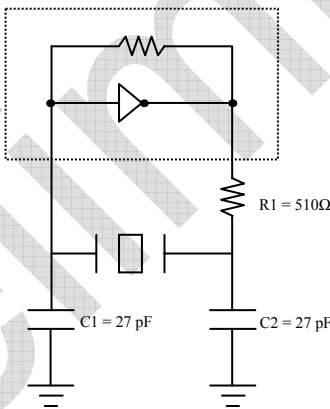
rev 0.2

AC Electrical Characteristics

Symbol	Parameter	Min	Typ	Max	Unit
CLKIN/XIN	Input Clock Frequency		25		MHz
CLK OUT	Output Clock Frequency	Pin 10	33		MHz
		Pin 7,8	48		
		Pin 1,9	127		
		Pin 6	25		
$t_{LH1}$	Rising edge slew rate (Measured from 20% to 80%)	1.1	1.7		V/nS
$t_{HL1}$	Falling edge slew rate (Measured from 80% to 20%)	1.3	2		V/nS
$T_{PJ1}$	Peak-to-peak Period Jitter @ VDD/2		300		pS
	Synthesis Error (Output Frequency)		0		ppm
$t_{D1}$	Output Duty Cycle	45	50	55	%
$t_{LOCK}$	PLL Lock Time from Power-Up		1	3	mS

NOTE: 1. Measured with 15pF capacitive load

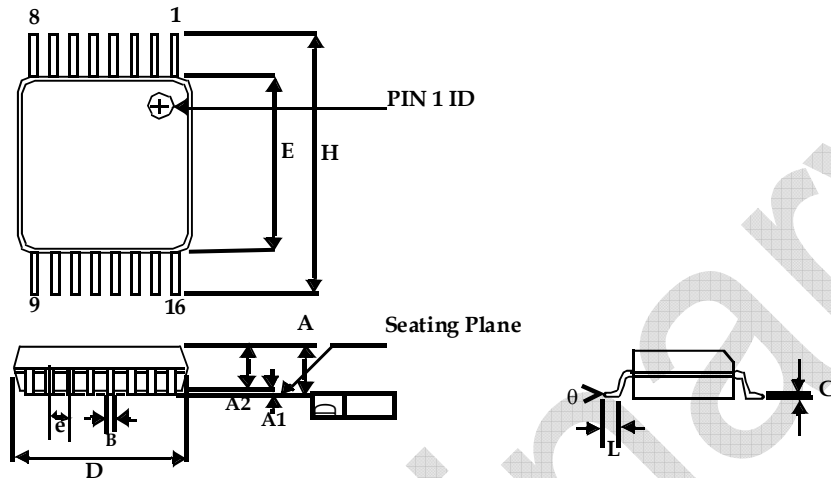
Typical Crystal Oscillator Circuit



Typical Crystal Specifications

Fundamental AT cut parallel resonant crystal	
Nominal frequency	25MHz
Frequency tolerance	± 50 ppm or better at 25°C
Operating temperature range	-25°C to +85°C
Storage temperature	-40°C to +85°C
Load capacitance	18pF
Shunt capacitance	7pF maximum
ESR	25Ω

16-lead Thin Shrunk Small Outline Package (4.40-MM Body)



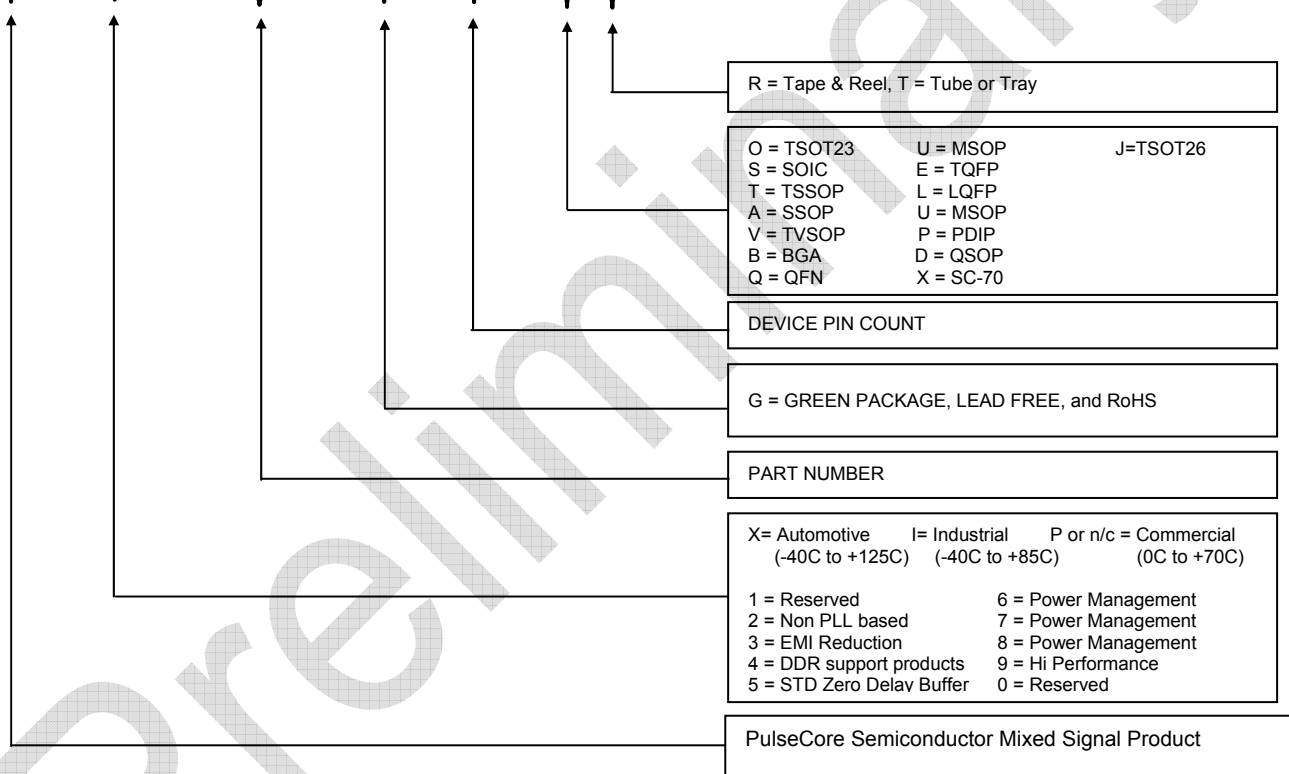
Symbol	Dimensions			
	Inches		Millimeters	
	Min	Max	Min	Max
A		0.043		1.20
A1	0.002	0.006	0.05	0.15
A2	0.031	0.041	0.80	1.05
B	0.007	0.012	0.19	0.30
C	0.004	0.008	0.09	0.20
D	0.193	0.201	4.90	5.10
E	0.169	0.177	4.30	4.50
e	0.026 BSC		0.65 BSC	
H	0.252 BSC		6.40 BSC	
L	0.020	0.030	0.50	0.75
$\theta$	0°	8°	0°	8°

Ordering Code

Part Number	Marking	Package	Temperature
PCS1P2859AG-16TR	1P2859AG	16-Pin TSSOP, TAPE & REEL, Green	Commercial
PCS1P2859AG-16TT	1P2859AG	16-Pin TSSOP, TUBE, Green	Commercial
PCS1I2859AG-16TR	1I2859AG	16-Pin TSSOP, TAPE & REEL, Green	Industrial
PCS1I2859AG-16TT	1I2859AG	16-Pin TSSOP, TUBE, Green	Industrial

Device Ordering Information

PCS1P2859AG-16-TR



Licensed under US patent Nos 5,488,627 and 5,631,920.



PulseCore Semiconductor Corporation  
1715 S. Bascom Ave Suite 200  
Campbell, CA 95008  
Tel: 408-879-9077  
Fax: 408-879-9018  
www.pulsecoresemi.com

Copyright © PulseCore Semiconductor  
All Rights Reserved  
Part Numbers: PCS1P2859A  
Document Version: 0.2

Note: This product utilizes US Patent # 6,646,463 Impedance Emulator Patent issued to PulseCore Semiconductor, dated 11-11-2003  
**Many PulseCore Semiconductor products are protected by issued patents or by applications for patent**

© Copyright 2006 PulseCore Semiconductor Corporation. All rights reserved. Our logo and name are trademarks or registered trademarks of PulseCore Semiconductor. All other brand and product names may be the trademarks of their respective companies. PulseCore reserves the right to make changes to this document and its products at any time without notice. PulseCore assumes no responsibility for any errors that may appear in this document. The data contained herein represents PulseCore's best data and/or estimates at the time of issuance. PulseCore reserves the right to change or correct this data at any time, without notice. If the product described herein is under development, significant changes to these specifications are possible. The information in this product data sheet is intended to be general descriptive information for potential customers and users, and is not intended to operate as, or provide, any guarantee or warranty to any user or customer. PulseCore does not assume any responsibility or liability arising out of the application or use of any product described herein, and disclaims any express or implied warranties related to the sale and/or use of PulseCore products including liability or warranties related to fitness for a particular purpose, merchantability, or infringement of any intellectual property rights, except as express agreed to in PulseCore's Terms and Conditions of Sale (which are available from PulseCore). All sales of PulseCore products are made exclusively according to PulseCore's Terms and Conditions of Sale. The purchase of products from PulseCore does not convey a license under any patent rights, copyrights; mask works rights, trademarks, or any other intellectual property rights of PulseCore or third parties. PulseCore does not authorize its products for use as critical components in life-supporting systems where a malfunction or failure may reasonably be expected to result in significant injury to the user, and the inclusion of PulseCore products in such life-supporting systems implies that the manufacturer assumes all risk of such use and agrees to indemnify PulseCore against all claims arising from such use.