

Quad Digitally Controlled (XDCP™) Potentiometers

FEATURES

- Four potentiometers in one package
- 64 resistor taps per potentiometer
- 2-wire serial interface
- Wiper resistance, 40Ω typical at 5V
- Four nonvolatile data registers for each pot
- Nonvolatile storage of wiper position
- Standby current < 1μA max (total package)
- V_{CC} = 2.7V to 5.5V operation
V₊ = 2.7V to 5.5V
V₋ = -2.7V to -5.5V
- 10kΩ, 2.5kΩ end to end resistances
- High reliability
 - Endurance—100,000 data changes per bit per register
 - Register data retention—100 years
- 24 Ld SOIC, 24 Ld TSSOP, 24 Ld PDIP packages
- Pb-free plus anneal available (RoHS compliant)

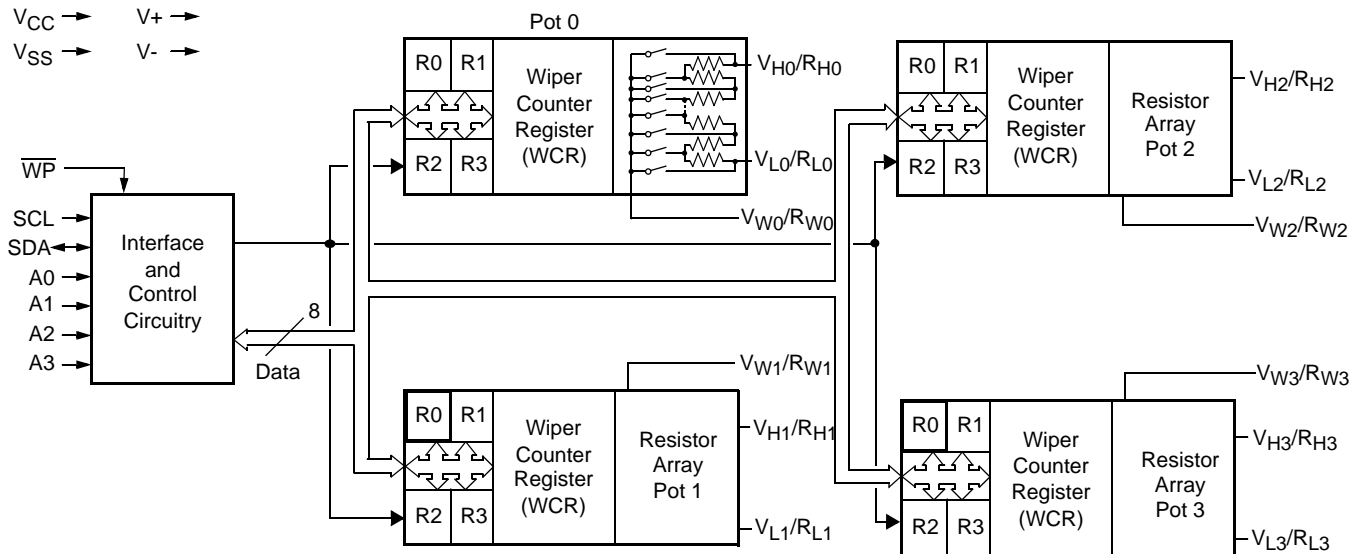
DESCRIPTION

The X9408 integrates four digitally controlled potentiometers (XDCP) on a monolithic CMOS integrated circuit.

The digital controlled potentiometer is implemented using 63 resistive elements in a series array. Between each element are tap points connected to the wiper terminal through switches. The position of the wiper on the array is controlled by the user through the 2-wire bus interface. Each potentiometer has associated with it a volatile Wiper Counter Register (WCR) and four non-volatile Data Registers that can be directly written to and read by the user. The contents of the WCR controls the position of the wiper on the resistor array though the switches. Powerup recalls the contents of the default data register (DR0) to the WCR.

The XDCP can be used as a three-terminal potentiometer or as a two terminal variable resistor in a wide variety of applications including control, parameter adjustments, and signal processing.

BLOCK DIAGRAM



Ordering Information

PART NUMBER	PART MARKING	V _{CC} LIMITS (V)	POTENTIOMETER ORGANIZATION (kΩ)	TEMP RANGE (°C)	PACKAGE		
X9408YP24	X9408YP	5 ±10%	2.5	0 to 70	24 Ld PDIP		
X9408YS24*	X9408YS			0 to 70	24 Ld SOIC (300 mil)		
X9408YS24Z* (Note)	X9408YS Z			0 to 70	24 Ld SOIC (300 mil) (Pb-free)		
X9408YS24I*	X9408YS I			-40 to 85	24 Ld SOIC (300 mil)		
X9408YS24IZ* (Note)	X9408YS Z I			-40 to 85	24 Ld SOIC (300 mil) (Pb-free)		
X9408YV24*	X9408YV			0 to 70	24 Ld TSSOP (4.4mm)		
X9408YV24Z* (Note)	X9408YV Z			0 to 70	24 Ld TSSOP (4.4mm) (Pb-free)		
X9408YV24I*	X9408YV I			-40 to 85	24 Ld TSSOP (4.4mm)		
X9408YV24IZ* (Note)	X9408YV Z I			-40 to 85	24 Ld TSSOP (4.4mm) (Pb-free)		
X9408WP24	X9408WP		2.5	10	0 to 70	24 Ld PDIP	
X9408WP24I	X9408WP I				-40 to 85	24 Ld PDIP	
X9408WS24*	X9408WS				0 to 70	24 Ld SOIC (300 mil)	
X9408WS24Z* (Note)	X9408WS Z				0 to 70	24 Ld SOIC (300 mil) (Pb-free)	
X9408WS24I*	X9408WS I				-40 to 85	24 Ld SOIC (300 mil)	
X9408WS24IZ* (Note)	X9408WS Z I				-40 to 85	24 Ld SOIC (300 mil) (Pb-free)	
X9408WV24*	X9408WV				0 to 70	24 Ld TSSOP (4.4mm)	
X9408WV24Z* (Note)	X9408WV Z				0 to 70	24 Ld TSSOP (4.4mm) (Pb-free)	
X9408WV24I*	X9408WV I				-40 to 85	24 Ld TSSOP (4.4mm)	
X9408WV24IZ* (Note)	X9408WV Z I	-40 to 85			24 Ld TSSOP (4.4mm) (Pb-free)		
X9408YP24I-2.7	X9408YP G	2.7 to 5.5			2.5	-40 to 85	24 Ld PDIP
X9408YS24-2.7*	X9408YS F					0 to 70	24 Ld SOIC (300 mil)
X9408YS24Z-2.7* (Note)	X9408YS Z F		0 to 70	24 Ld SOIC (300 mil) (Pb-free)			
X9408YS24I-2.7*	X9408YS G		-40 to 85	24 Ld SOIC (300 mil)			
X9408YS24IZ-2.7* (Note)	X9408YS Z G		-40 to 85	24 Ld SOIC (300 mil) (Pb-free)			
X9408YV24-2.7*	X9408YV F		0 to 70	24 Ld TSSOP (4.4mm)			
X9408YV24Z-2.7* (Note)	X9408YV Z F		0 to 70	24 Ld TSSOP (4.4mm) (Pb-free)			
X9408YV24I-2.7*	X9408YV G		-40 to 85	24 Ld TSSOP (4.4mm)			
X9408YV24IZ-2.7T1 (Note)	X9408YV Z G		-40 to 85	24 Ld TSSOP (4.4mm) Tape and Reel (Pb-free)			
X9408WP24-2.7	X9408WP F		2.5	10	0 to 70	24 Ld PDIP	
X9408WP24I-2.7	X9408WP G				-40 to 85	24 Ld PDIP	
X9408WS24-2.7*	X9408WS F				0 to 70	24 Ld SOIC (300 mil)	
X9408WS24Z-2.7* (Note)	X9408WS Z F				0 to 70	24 Ld SOIC (300 mil) (Pb-free)	
X9408WS24I-2.7*	X9408WS G				-40 to 85	24 Ld SOIC (300 mil)	
X9408WS24IZ-2.7* (Note)	X9408WS Z G				-40 to 85	24 Ld SOIC (300 mil) (Pb-free)	
X9408WV24-2.7*	X9408WV F				0 to 70	24 Ld TSSOP (4.4mm)	
X9408WV24Z-2.7* (Note)	X9408WV Z F				0 to 70	24 Ld TSSOP (4.4mm) (Pb-free)	
X9408WV24I-2.7*	X9408WV G				-40 to 85	24 Ld TSSOP (4.4mm)	
X9408WV24IZ-2.7* (Note)	X9408WV Z G	-40 to 85			24 Ld TSSOP (4.4mm) (Pb-free)		

*Add "T1" suffix for tape and reel.

NOTE: Intersil Pb-free plus anneal products employ special Pb-free material sets; molding compounds/die attach materials and 100% matte tin plate termination finish, which are RoHS compliant and compatible with both SnPb and Pb-free soldering operations. Intersil Pb-free products are MSL classified at Pb-free peak reflow temperatures that meet or exceed the Pb-free requirements of IPC/JEDEC J STD-020.

PIN DESCRIPTIONS

Host Interface Pins

Serial Clock (SCL)

The SCL input is used to clock data into and out of the X9408.

Serial Data (SDA)

SDA is a bidirectional pin used to transfer data into and out of the device. It is an open drain output and may be wire-ORed with any number of open drain or open collector outputs. An open drain output requires the use of a pull-up resistor. For selecting typical values, refer to the guidelines for calculating typical values on the bus pull-up resistors graph.

Device Address (A₀ - A₃)

The address inputs are used to set the least significant 4 bits of the 8-bit slave address. A match in the slave address serial data stream must be made with the address input in order to initiate communication with the X9408. A maximum of 16 devices may occupy the 2-wire serial bus.

Potentiometer Pins

V_H/R_H (V_{H0}/R_{H0} - V_{H3}/R_{H3}), V_L/R_L (V_{L0}/R_{L0} - V_{L3}/R_{L3})

The V_H/R_H and V_L/R_L inputs are equivalent to the terminal connections on either end of a mechanical potentiometer.

V_W/R_W (V_{W0}/R_{W0} - V_{W3}/R_{W3})

The wiper outputs are equivalent to the wiper output of a mechanical potentiometer.

Hardware Write Protect Input (\overline{WP})

The \overline{WP} pin when low prevents nonvolatile writes to the Data Registers.

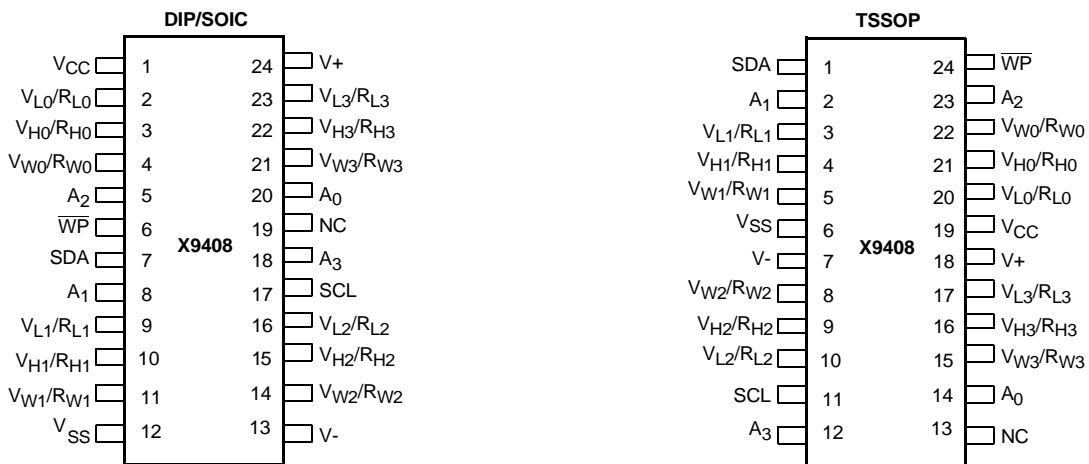
Analog Supplies V+, V-

The Analog Supplies V+, V- are the supply voltages for the XDCP analog section.

PIN NAMES

Symbol	Description
SCL	Serial Clock
SDA	Serial Data
A0-A3	Device Address
V _{H0} /R _{H0} - V _{H3} /R _{H3} , V _{L0} /R _{L0} - V _{L3} /R _{L3}	Potentiometer Pins (terminal equivalent)
V _{W0} /R _{W0} - V _{W3} /R _{W3}	Potentiometer Pins (wiper equivalent)
\overline{WP}	Hardware Write Protection
V+, V-	Analog Supplies
V _{CC}	System Supply Voltage
V _{SS}	System Ground
NC	No Connection

PIN CONFIGURATION



PRINCIPLES OF OPERATION

The X9408 is a highly integrated microcircuit incorporating four resistor arrays and their associated registers and counters and the serial interface logic providing direct communication between the host and the XDCP potentiometers.

Serial Interface

The X9408 supports a bidirectional bus oriented protocol. The protocol defines any device that sends data onto the bus as a transmitter and the receiving device as the receiver. The device controlling the transfer is a master and the device being controlled is the slave. The master will always initiate data transfers and provide the clock for both transmit and receive operations. Therefore, the X9408 will be considered a slave device in all applications.

Clock and Data Conventions

Data states on the SDA line can change only during SCL LOW periods (t_{LOW}). SDA state changes during SCL HIGH are reserved for indicating start and stop conditions.

Start Condition

All commands to the X9408 are preceded by the start condition, which is a HIGH to LOW transition of SDA while SCL is HIGH (t_{HIGH}). The X9408 continuously monitors the SDA and SCL lines for the start condition and will not respond to any command until this condition is met.

Stop Condition

All communications must be terminated by a stop condition, which is a LOW to HIGH transition of SDA while SCL is HIGH.

Acknowledge

Acknowledge is a software convention used to provide a positive handshake between the master and slave devices on the bus to indicate the successful receipt of data. The transmitting device, either the master or the slave, will release the SDA bus after transmitting eight bits. The master generates a ninth clock cycle and during this period the receiver pulls the SDA line LOW to acknowledge that it successfully received the eight bits of data.

The X9408 will respond with an acknowledge after recognition of a start condition and its slave address and once again after successful receipt of the command byte. If the command is followed by a data byte the X9408 will respond with a final acknowledge.

Array Description

The X9408 is comprised of four resistor arrays. Each array contains 63 discrete resistive segments that are connected in series. The physical ends of each array are equivalent to the fixed terminals of a mechanical potentiometer (R_H and R_L inputs).

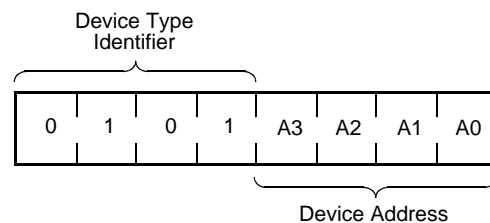
At both ends of each array and between each resistor segment is a CMOS switch connected to the wiper (R_W) output. Within each individual array only one switch may be turned on at a time. These switches are controlled by the Wiper Counter Register (WCR). The six bits of the WCR are decoded to select, and enable, one of sixty-four switches.

The WCR may be written directly, or it can be changed by transferring the contents of one of four associated Data Registers into the WCR. These Data Registers and the WCR can be read and written by the host system.

Device Addressing

Following a start condition the master must output the address of the slave it is accessing. The most significant four bits of the slave address are the device type identifier (refer to Figure 1 below). For the X9408 this is fixed as 0101[B].

Figure 1. Slave Address

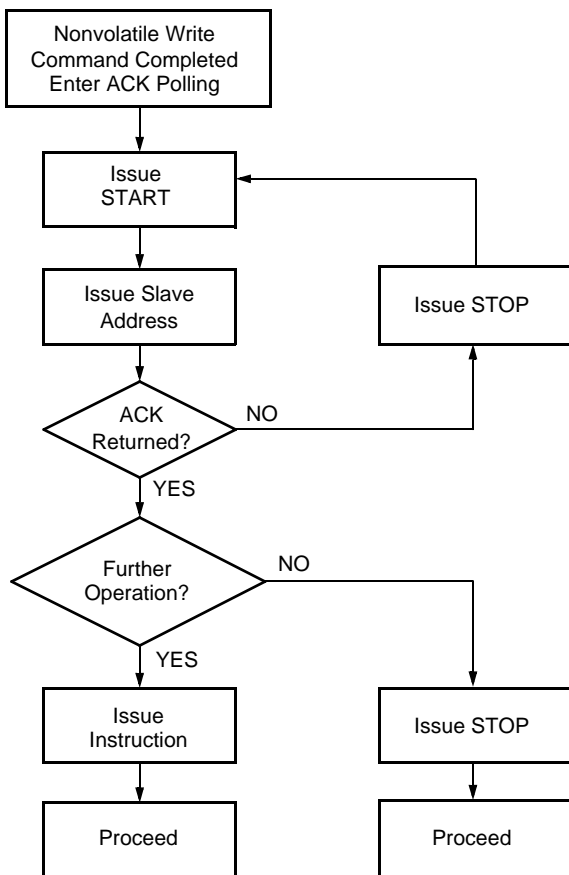


The next four bits of the slave address are the device address. The physical device address is defined by the state of the $A_0 - A_3$ inputs. The X9408 compares the serial data stream with the address input state; a successful compare of all four address bits is required for the X9408 to respond with an acknowledge. The $A_0 - A_3$ inputs can be actively driven by CMOS input signals or tied to V_{CC} or V_{SS} .

Acknowledge Polling

The disabling of the inputs, during the internal Nonvolatile write operation, can be used to take advantage of the typical 5ms EEPROM write cycle time. Once the stop condition is issued to indicate the end of the nonvolatile write command the X9408 initiates the internal write cycle. ACK polling can be initiated immediately. This involves issuing the start condition followed by the device slave address. If the X9408 is still busy with the write operation no ACK will be returned. If the X9408 has completed the write operation an ACK will be returned and the master can then proceed with the next operation.

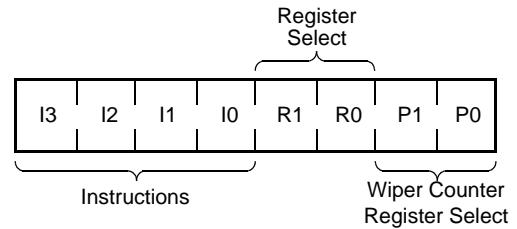
Flow 1. ACK Polling Sequence



Instruction Structure

The next byte sent to the X9408 contains the instruction and register pointer information. The four most significant bits are the instruction. The next four bits point to one of the two pots and when applicable they point to one of four associated registers. The format is shown below in Figure 2.

Figure 2. Instruction Byte Format

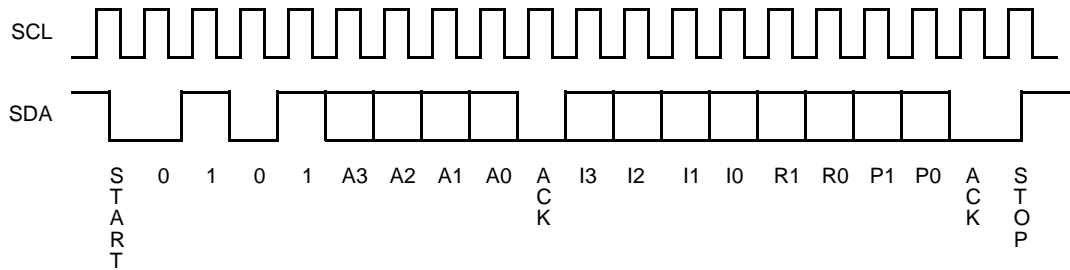


The four high order bits define the instruction. The next two bits (R1 and R0) select one of the four registers that is to be acted upon when a register oriented instruction is issued. The last bits (P1, P0) select which one of the four potentiometers is to be affected by the instruction.

Four of the nine instructions end with the transmission of the instruction byte. The basic sequence is illustrated in Figure 3. These two-byte instructions exchange data between the Wiper Counter Register and one of the Data Registers. A transfer from a Data Register to a Wiper Counter Register is essentially a write to a static RAM. The response of the wiper to this action will be delayed t_{WRL} . A transfer from the Wiper Counter Register (current wiper position), to a data register is a write to nonvolatile memory and takes a minimum of t_{WR} to complete. The transfer can occur between one of the four potentiometers and one of its associated registers; or it may occur globally, wherein the transfer occurs between all of the potentiometers and one of their associated registers.

Four instructions require a three-byte sequence to complete. These instructions transfer data between the host and the X9408; either between the host and one of the data registers or directly between the host and the Wiper Counter Register. These instructions are: Read Wiper Counter Register (read the current wiper position of the selected pot), Write Wiper Counter Register (change current wiper position of the selected pot), Read Data Register (read the contents of the selected nonvolatile register) and Write Data Register (write a new value to the selected Data Register). The sequence of operations is shown in Figure 4.

Figure 3. Two-Byte Instruction Sequence



The Increment/Decrement command is different from the other commands. Once the command is issued and the X9408 has responded with an acknowledge, the master can clock the selected wiper up and/or down in one segment steps; thereby, providing a fine tuning capability to the host. For each SCL clock pulse (HIGH) while SDA is HIGH, the selected wiper will

move one resistor segment towards the R_H terminal. Similarly, for each SCL clock pulse while SDA is LOW, the selected wiper will move one resistor segment towards the R_L terminal. A detailed illustration of the sequence and timing for this operation are shown in Figures 5 and 6 respectively.

Table 1. Instruction Set

Instruction	Instruction Set								Operation
	I ₃	I ₂	I ₁	I ₀	R ₁	R ₀	P ₁	P ₀	
Read Wiper Counter Register	1	0	0	1	0	0	P ₁	P ₀	Read the contents of the Wiper Counter Register pointed to by P ₁ - P ₀
Write Wiper Counter Register	1	0	1	0	0	0	P ₁	P ₀	Write new value to the Wiper Counter Register pointed to by P ₁ - P ₀
Read Data Register	1	0	1	1	R ₁	R ₀	P ₁	P ₀	Read the contents of the Data Register pointed to by P ₁ - P ₀ and R ₁ - R ₀
Write Data Register	1	1	0	0	R ₁	R ₀	P ₁	P ₀	Write new value to the Data Register pointed to by P ₁ - P ₀ and R ₁ - R ₀
XFR Data Register to Wiper Counter Register	1	1	0	1	R ₁	R ₀	P ₁	P ₀	Transfer the contents of the Data Register pointed to by P ₁ - P ₀ and R ₁ - R ₀ to its associated Wiper Counter Register
XFR Wiper Counter Register to Data Register	1	1	1	0	R ₁	R ₀	P ₁	P ₀	Transfer the contents of the Wiper Counter Register pointed to by P ₁ - P ₀ to the Data Register pointed to by R ₁ - R ₀
Global XFR Data Registers to Wiper Counter Registers	0	0	0	1	R ₁	R ₀	0	0	Transfer the contents of the Data Registers pointed to by R ₁ - R ₀ of all four pots to their respective Wiper Counter Registers
Global XFR Wiper Counter Registers to Data Register	1	0	0	0	R ₁	R ₀	0	0	Transfer the contents of both Wiper Counter Registers to their respective Data Registers pointed to by R ₁ - R ₀ of all four pots
Increment/Decrement Wiper Counter Register	0	0	1	0	0	0	P ₁	P ₀	Enable Increment/decrement of the Wiper Counter Register pointed to by P ₁ - P ₀

Note: (7) 1/0 = data is one or zero

Figure 4. Three-Byte Instruction Sequence

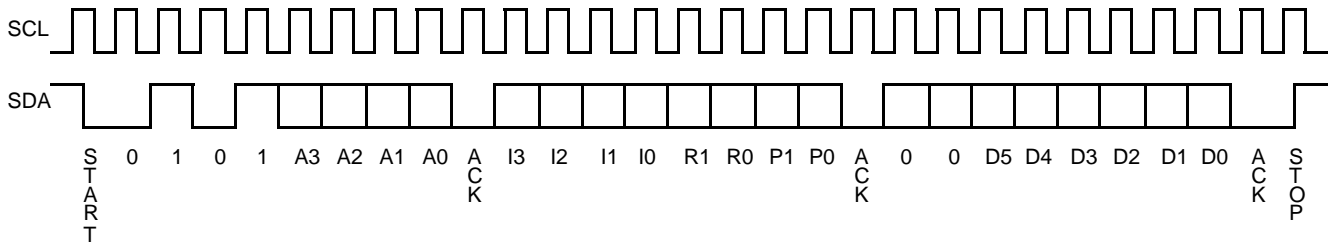


Figure 5. Increment/Decrement Instruction Sequence

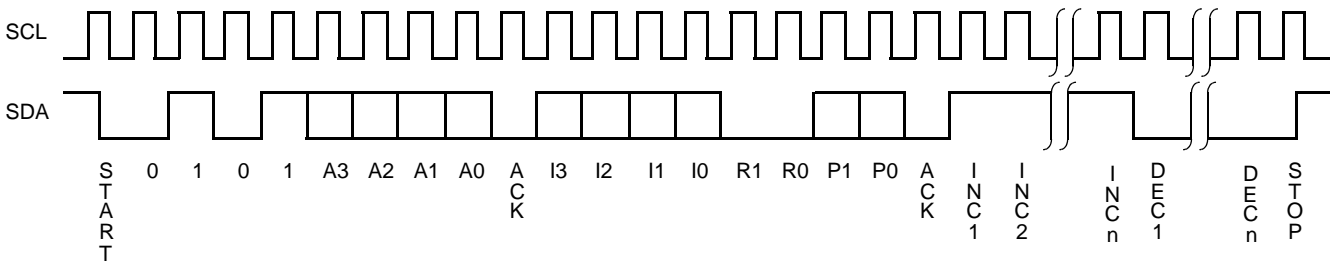


Figure 6. Increment/Decrement Timing Limits

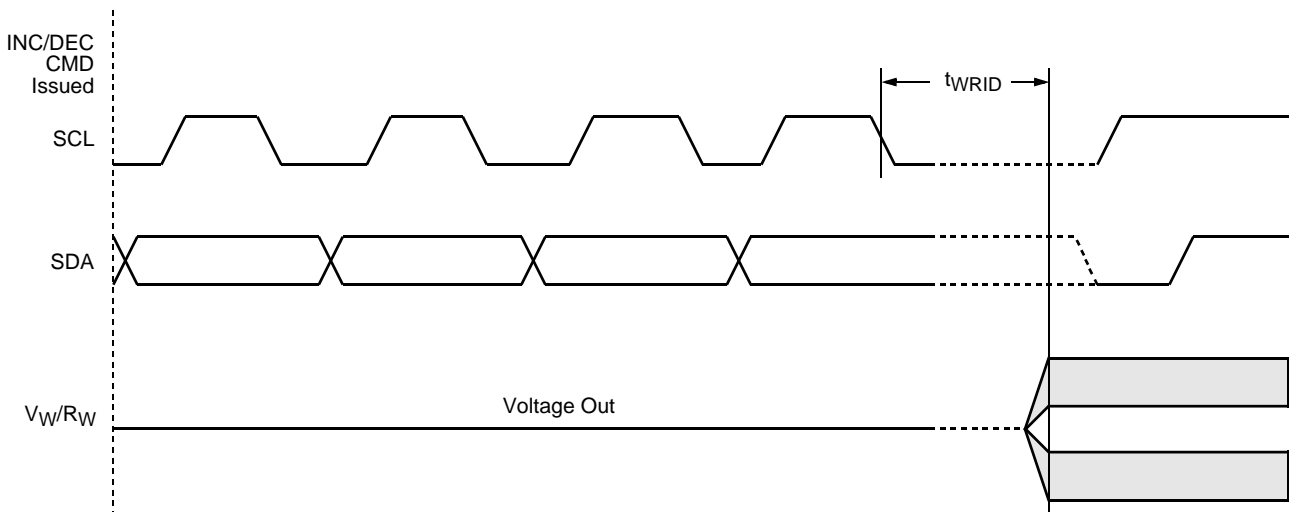


Figure 7. Acknowledge Response from Receiver

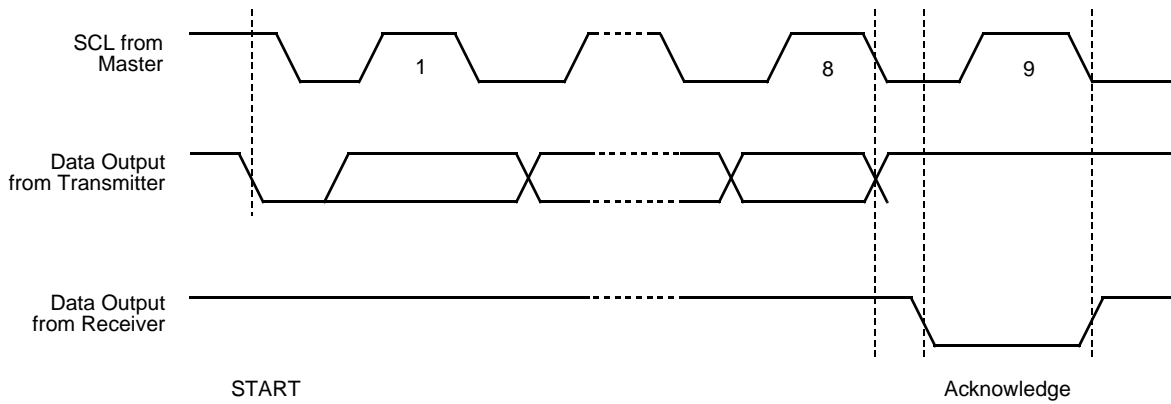
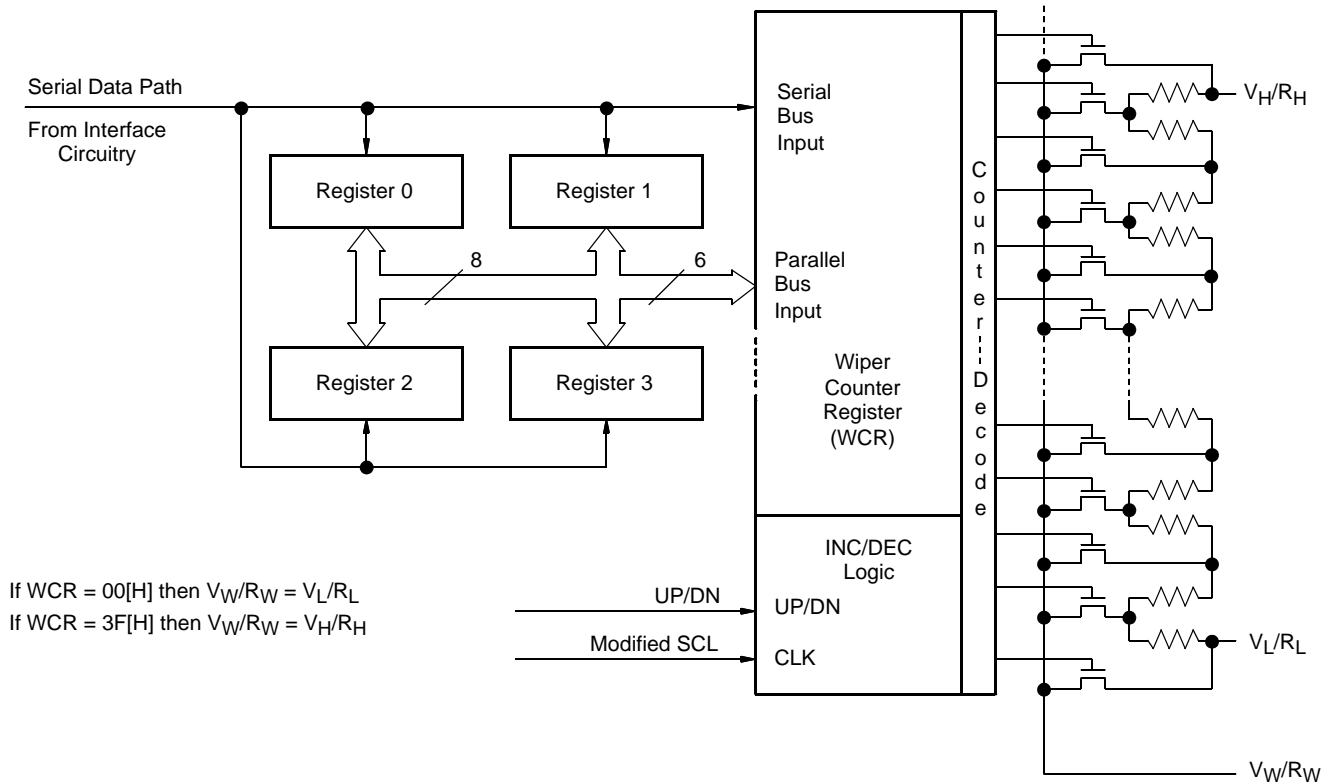


Figure 8. Detailed Potentiometer Block Diagram



DETAILED OPERATION

All XDCP potentiometers share the serial interface and share a common architecture. Each potentiometer has a Wiper Counter Register and four Data Registers. A detailed discussion of the register organization and array operation follows.

Wiper Counter Register

The X9408 contains four Wiper Counter Registers, one for each XDCP potentiometer. The Wiper Counter Register can be envisioned as a 6-bit parallel and serial load counter with its outputs decoded to select one of sixty-four switches along its resistor array. The contents of the WCR can be altered in four ways: it may be written directly by the host via the Write Wiper Counter Register instruction (serial load); it may be written indirectly by transferring the contents of one of four associated data registers via the XFR Data Register instruction (parallel load); it can be modified one step at a time by the Increment/ Decrement instruction. Finally, it is loaded with the contents of its data register zero (DR0) upon power-up.

The WCR is a volatile register; that is, its contents are lost when the X9408 is powered-down. Although the register is automatically loaded with the value in R0 upon power-up, it should be noted this may be different from the value present at power-down.

Data Registers

Each potentiometer has four nonvolatile Data Registers. These can be read or written directly by the host and data can be transferred between any of the four Data Registers and the WCR. It should be noted all operations changing data in one of these registers is a nonvolatile operation and will take a maximum of 10ms.

If the application does not require storage of multiple settings for the potentiometer, these registers can be used as regular memory locations that could possibly store system parameters or user preference data.

Register Descriptions

Data Registers, (6-Bit), Nonvolatile

D5	D4	D3	D2	D1	D0
NV	NV	NV	NV	NV	NV
(MSB)			(LSB)		

Four 6-bit Data Registers for each XDCP. (sixteen 6-bit registers in total).

- {D5~D0}: These bits are for general purpose not volatile data storage or for storage of up to four different wiper values. The contents of Data Register 0 are automatically moved to the wiper counter register on power-up.

Wiper Counter Register, (6-Bit), Volatile

WP5	WP4	WP3	WP2	WP1	WP0
V	V	V	V	V	V
(MSB)			(LSB)		

One 6-bit Wiper Counter Register for each XDCP. (Four 6-bit registers in total.)

- {D5~D0}: These bits specify the wiper position of the respective XDCP. The Wiper Counter Register is loaded on power-up by the value in Data Register 0. The contents of the WCR can be loaded from any of the other Data Register or directly. The contents of the WCR can be saved in a DR.

Instruction Format

- Notes:** (1) "MACK"/"SACK": stands for the acknowledge sent by the master/slave.
 (2) "A3 ~ A0": stands for the device addresses sent by the master.
 (3) "X": indicates that it is a "0" for testing purpose but physically it is a "don't care" condition.
 (4) "I": stands for the increment operation, SDA held high during active SCL phase (high).
 (5) "D": stands for the decrement operation, SDA held low during active SCL phase (high).

Read Wiper Counter Register (WCR)

S T A R T	device type identifier				device addresses				S A C K	instruction opcode				WCR addresses				S A C K	wiper position (sent by slave on SDA)							M A C K	S T O P	
	0	1	0	1	A3	A2	A1	A0		1	0	0	1	0	0	P1	P0		0	0	W5	W4	W3	W2	W1			W0
	0	1	0	1	A3	A2	A1	A0		1	0	0	1	0	0	P1	P0		0	0	W5	W4	W3	W2	W1	W0		

Write Wiper Counter Register (WCR)

S T A R T	device type identifier				device addresses				S A C K	instruction opcode				WCR addresses				S A C K	wiper position (sent by master on SDA)							S A C K	S T O P	
	0	1	0	1	A3	A2	A1	A0		1	0	1	0	0	0	P1	P0		0	0	W5	W4	W3	W2	W1			W0
	0	1	0	1	A3	A2	A1	A0		1	0	1	0	0	0	P1	P0		0	0	W5	W4	W3	W2	W1	W0		

Read Data Register (DR)

S T A R T	device type identifier				device addresses				S A C K	instruction opcode				DR and WCR addresses				S A C K	wiper position/data (sent by slave on SDA)							M A C K	S T O P	
	0	1	0	1	A3	A2	A1	A0		1	0	1	1	R1	R0	P1	P0		0	0	W5	W4	W3	W2	W1			W0
	0	1	0	1	A3	A2	A1	A0		1	0	1	1	R1	R0	P1	P0		0	0	W5	W4	W3	W2	W1	W0		

Write Data Register (DR)

S T A R T	device type identifier				device addresses				S A C K	instruction opcode				DR and WCR addresses				S A C K	wiper position/data (sent by master on SDA)							S A C K	S T O P	HIGH-VOLTAGE WRITE CYCLE	
	0	1	0	1	A3	A2	A1	A0		1	1	0	0	R1	R0	P1	P0		0	0	W5	W4	W3	W2	W1				W0
	0	1	0	1	A3	A2	A1	A0		1	1	0	0	R1	R0	P1	P0		0	0	W5	W4	W3	W2	W1	W0			

XFR Data Register (DR) to Wiper Counter Register (WCR)

S T A R T	device type identifier				device addresses				S A C K	instruction opcode				DR and WCR addresses				S A C K	S T O P
	0	1	0	1	A3	A2	A1	A0		1	1	0	1	R1	R0	P1	P0		
	0	1	0	1	A3	A2	A1	A0		1	1	0	1	R1	R0	P1	P0		

Write Wiper Counter Register (WCR) to Data Register (DR)

S T A R T	device type identifier				device addresses				S A C K	instruction opcode				DR and WCR addresses				S A C K	S T O P	HIGH-VOLTAGE WRITE CYCLE
	0	1	0	1	A3	A2	A1	A0		1	1	1	0	R1	R0	P1	P0			
	0	1	0	1	A3	A2	A1	A0		1	1	1	0	R1	R0	P1	P0			

Increment/Decrement Wiper Counter Register (WCR)

S T A R T	device type identifier				device addresses				S A C K	instruction opcode				WCR addresses				S A C K	increment/decrement (sent by master on SDA)						S T O P
	0	1	0	1	A3	A2	A1	A0		0	0	1	0	0	0	P1	P0		I/D	I/D	

Global XFR Data Register (DR) to Wiper Counter Register (WCR)

S T A R T	device type identifier				device addresses				S A C K	instruction opcode				DR addresses				S A C K	S T O P
	0	1	0	1	A3	A2	A1	A0		0	0	0	1	R1	R0	0	0		

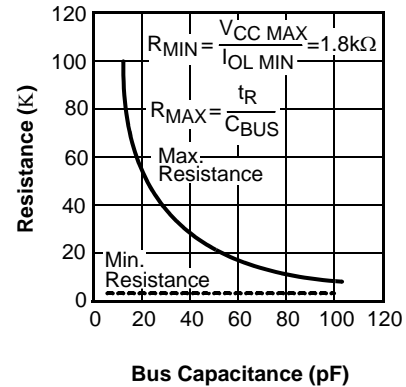
Global XFR Wiper Counter Register (WCR) to Data Register (DR)

S T A R T	device type identifier				device addresses				S A C K	instruction opcode				DR addresses				S A C K	S T O P	HIGH-VOLTAGE WRITE CYCLE
	0	1	0	1	A3	A2	A1	A0		1	0	0	0	R1	R0	0	0			

SYMBOL TABLE

WAVEFORM	INPUTS	OUTPUTS
	Must be steady	Will be steady
	May change from Low to High	Will change from Low to High
	May change from High to Low	Will change from High to Low
	Don't Care: Changes Allowed	Changing: State Not Known
	N/A	Center Line is High Impedance

Guidelines for Calculating Typical Values of Bus Pull-Up Resistors



ABSOLUTE MAXIMUM RATINGS

Temperature under bias -65°C to +135°C
 Storage temperature -65°C to +150°C
 Voltage on SDA, SCL or any address
 input with respect to V_{SS}..... -1V to +7V
 Voltage on V+ (referenced to V_{SS})..... 10V
 Voltage on V- (referenced to V_{SS}).....-10V
 (V+) - (V-) 12V
 Any V_H/R_H, V_L/R_L, V_W/R_W V- to V+
 Lead temperature (soldering, 10s) 300°C
 I_W (10s) ±6mA

COMMENT

Stresses above those listed under “Absolute Maximum Ratings” may cause permanent damage to the device. This is a stress rating only; the functional operation of the device (at these or any other conditions above those listed in the operational sections of this specification) is not implied. Exposure to absolute maximum rating conditions for extended periods may affect device reliability.

RECOMMENDED OPERATING CONDITIONS

Temp	Min.	Max.
Commercial	0°C	+70°C
Industrial	-40°C	+85°C

Device	Supply Voltage (V _{CC}) Limits
X9408	5V ± 10%
X9408-2.7	2.7V to 5.5V

ANALOG CHARACTERISTICS (Over recommended operating conditions unless otherwise stated.)

Symbol	Parameter	Limits				Test Condition
		Min.	Typ.	Max.	Unit	
R _{TOTAL}	End to end resistance tolerance	-20		+20	%	
	Power rating			50	mW	25°C, each pot
I _W	Wiper current	-3		+3	mA	
R _W	Wiper resistance		150	250	Ω	I _W = ± 1mA @ V+, V- = ±3V
			40	100	Ω	I _W = ± 1mA @ V+, V- = ±5V
V _{V+}	Voltage on V+ pin	X9408	+4.5	+5.5	V	
		X9408-2.7	+2.7	+5.5		
V _{V-}	Voltage on V- pin	X9408	-5.5	-4.5	V	
		X9408-2.7	-5.5	-2.7		
V _{TERM}	Voltage on any V _H /R _H , V _L /R _L or V _W /R _W pin	V-		V+	V	
	Noise		-120		dBV	Ref: 1kHz
	Resolution		1.6		%	See Note 4
	Absolute linearity ⁽¹⁾	-1		+1	MI ⁽³⁾	$V(V_{wn}/R_{wn})_{(actual)} - V(V_{wn}/R_{wn})_{(expected)}$ ⁽⁴⁾
	Relative linearity ⁽²⁾	-0.2		+0.2	MI ⁽³⁾	$V(V_{w(n+1)}/R_{w(n+1)}) - [V(V_{w(n)}/R_{w(n)}) + MI]$ ⁽⁴⁾
	Temperature coefficient of R _{TOTAL}		±300		ppm/°C	See Note 4
	Ratiometric Temperature Coefficient			20	ppm/°C	See Note 4
C _H /C _L /C _W	Potentiometer Capacitances		10/10/25		pF	See Macro model
I _{AL}	V _H /R _H , V _L /R _L , V _W /R _W Leakage Current		0.1	10	µA	V _{IN} = V- to V+. Device is in Stand-by mode.

D.C. OPERATING CHARACTERISTICS (Over the recommended operating conditions unless otherwise specified.)

Symbol	Parameter	Limits				Test Conditions
		Min.	Typ.	Max.	Unit	
I _{CC1}	V _{CC} supply current (nonvolatile write)			1	mA	f _{SCL} = 400kHz, SDA = Open, Other Inputs = V _{SS}
I _{CC2}	V _{CC} supply current (move wiper, write, read)			100	μA	f _{SCL} = 400kHz, SDA = Open, Other Inputs = V _{SS}
I _{SB}	V _{CC} current (standby)			1	μA	SCL = SDA = V _{CC} , Addr. = V _{SS}
I _{LI}	Input leakage current			10	μA	V _{IN} = V _{SS} to V _{CC}
I _{LO}	Output leakage current			10	μA	V _{OUT} = V _{SS} to V _{CC}
V _{IH}	Input HIGH voltage	V _{CC} × 0.7		V _{CC} + 0.5	V	
V _{IL}	Input LOW voltage	-0.5		V _{CC} × 0.1	V	
V _{OL}	Output LOW voltage			0.4	V	I _{OL} = 3mA

- Notes:** (1) Absolute linearity is utilized to determine actual wiper voltage versus expected voltage as determined by wiper position when used as a potentiometer.
 (2) Relative linearity is utilized to determine the actual change in voltage between two successive tap positions when used as a potentiometer. It is a measure of the error in step size.
 (3) MI = RTOT / 63 or [V(V_H/R_H) - V(V_L/R_L)] / 63, single pot

ENDURANCE AND DATA RETENTION

Parameter	Min.	Unit
Minimum endurance	100,000	Data changes per bit per register
Data retention	100	years

CAPACITANCE

Symbol	Test	Max.	Unit	Test Condition
C _{I/O} ⁽⁴⁾	Input/output capacitance (SDA)	8	pF	V _{I/O} = 0V
C _{IN} ⁽⁴⁾	Input capacitance (A0, A1, A2, A3, and SCL)	6	pF	V _{IN} = 0V

POWER-UP TIMING

Symbol	Parameter	Min.	Max.	Unit
t _{PUR} ⁽⁵⁾	Power-up to initiation of read operation		1	ms
t _{PUW} ⁽⁵⁾	Power-up to initiation of write operation		5	ms
t _R V _{CC} ⁽⁶⁾	V _{CC} Power-up Ramp	0.2	50	V/msec

Power-up Requirements (Power-up sequencing can affect correct recall of the wiper registers)

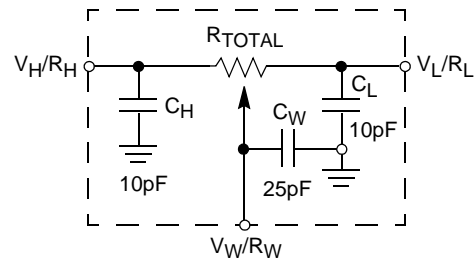
The preferred power-on sequence is as follows: First V₋, then V_{CC} and V₊, and then the potentiometer pins, V_H/R_H, V_L/R_L, and V_W/R_W. Voltage should not be applied to the potentiometer pins before V₊ or V₋ is applied. The V_{CC} ramp rate specification should be met, and any glitches or slope changes in the V_{CC} line should be held to <100mV if possible. If V_{CC} powers down, it should be held below 0.1V for more than 1 second before powering up again in order for proper wiper register recall. Also, V_{CC} should not reverse polarity by more than 0.5V. Recall of wiper position will not be complete until V_{CC}, V₊ and V₋ reach their final value.

- Notes:** (4) This parameter is periodically sampled and not 100% tested
 (5) t_{PUR} and t_{PUW} are the delays required from the time the third (last) power supply (V_{CC}, V₊ or V₋) is stable until the specific instruction can be issued. These parameters are periodically sampled and not 100% tested.
 (6) This is not a tested or guaranteed parameter and should only be used as a guidance.

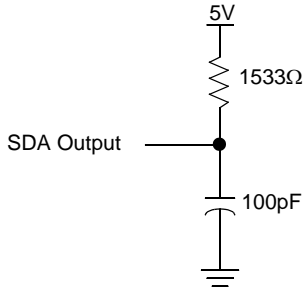
A.C. TEST CONDITIONS

Input pulse levels	$V_{CC} \times 0.1$ to $V_{CC} \times 0.9$
Input rise and fall times	10ns
Input and output timing level	$V_{CC} \times 0.5$

Circuit #3 SPICE Macro Model



EQUIVALENT A.C. LOAD CIRCUIT



AC TIMING (over recommended operating condition)

Symbol	Parameter	Min.	Max.	Unit
f_{SCL}	Clock frequency		400	kHz
t_{CYC}	Clock cycle time	2500		ns
t_{HIGH}	Clock high time	600		ns
t_{LOW}	Clock low time	1300		ns
$t_{SU:STA}$	Start setup time	600		ns
$t_{HD:STA}$	Start hold time	600		ns
$t_{SU:STO}$	Stop setup time	600		ns
$t_{SU:DAT}$	SDA data input setup time	100		ns
$t_{HD:DAT}$	SDA data input hold time	30		ns
t_R	SCL and SDA rise time		300	ns
t_F	SCL and SDA fall time		300	ns
t_{AA}	SCL low to SDA data output valid time		900	ns
t_{DH}	SDA Data output hold time	50		ns
T_I	Noise suppression time constant at SCL and SDA inputs	50		ns
t_{BUF}	Bus free time (prior to any transmission)	1300		ns
$t_{SU:WPA}$	\overline{WP} , A0, A1, A2 and A3 setup time	0		ns
$t_{HD:WPA}$	\overline{WP} , A0, A1, A2 and A3 hold time	0		ns

HIGH-VOLTAGE WRITE CYCLE TIMING

Symbol	Parameter	Typ.	Max.	Unit
t_{WR}	High-voltage write cycle time (store instructions)	5	10	ms

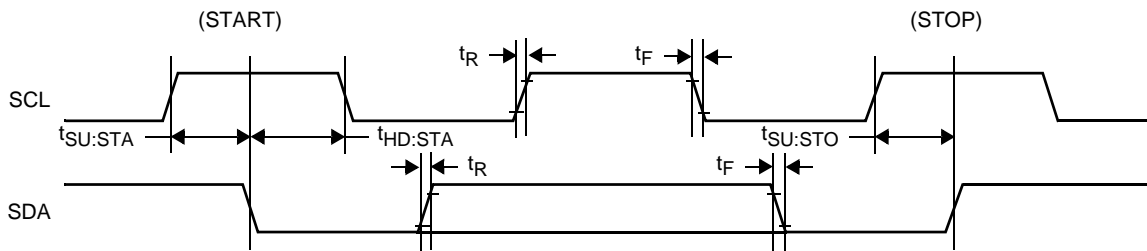
XDCP TIMING

Symbol	Parameter	Min.	Max.	Unit
t_{WRPO}	Wiper response time after the third (last) power supply is stable		10	μs
t_{WRL}	Wiper response time after instruction issued (all load instructions)		10	μs
t_{WRID}	Wiper response time from an active SCL/SCK edge (increment/decrement instruction)		10	μs

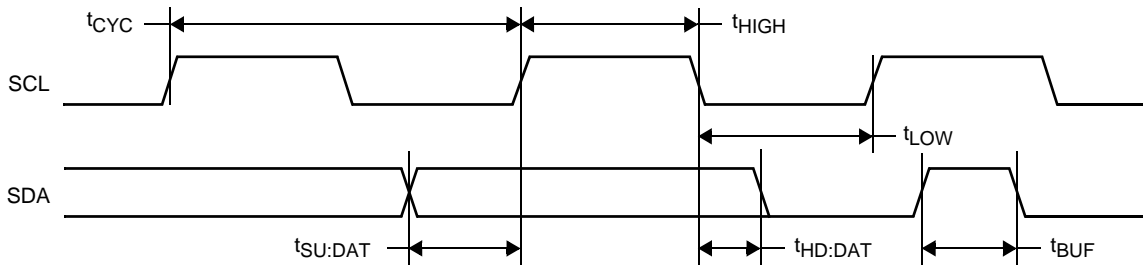
Notes: (9) A device must internally provide a hold time of at least 300ns for the SDA signal in order to bridge the undefined region of the falling edge of SCL.

TIMING DIAGRAMS

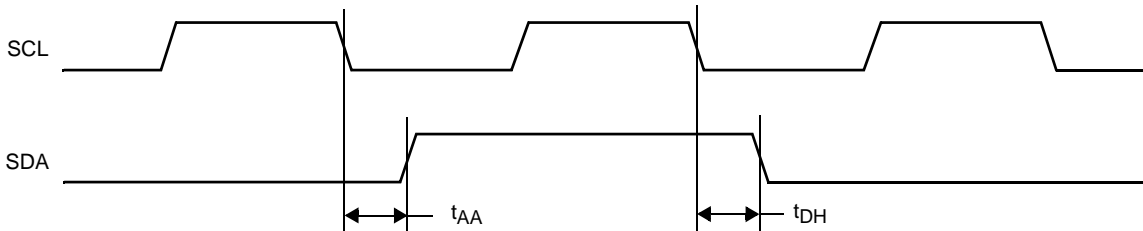
START and STOP Timing



Input Timing

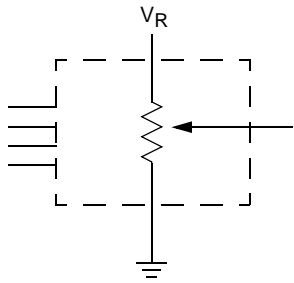


Output Timing

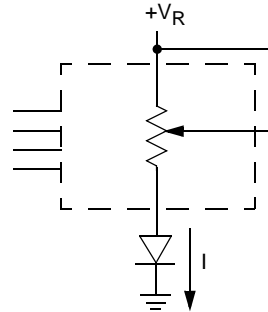


APPLICATIONS INFORMATION

Basic Configurations of Electronic Potentiometers



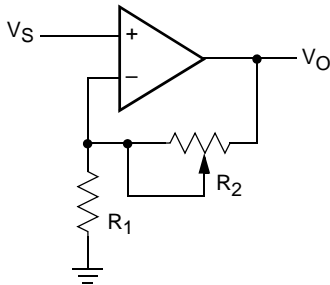
Three terminal Potentiometer;
Variable voltage divider



Two terminal Variable Resistor;
Variable current

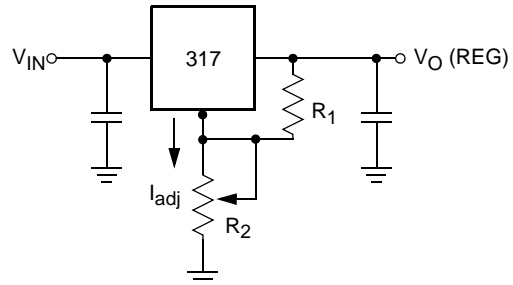
Application Circuits

Noninverting Amplifier



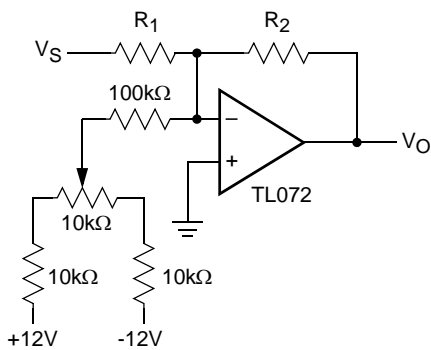
$$V_O = (1 + R_2/R_1)V_S$$

Voltage Regulator

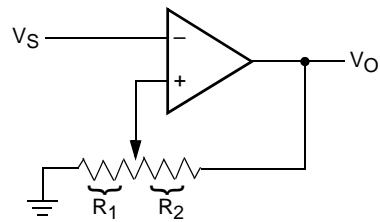


$$V_O (REG) = 1.25V (1 + R_2/R_1) + I_{adj} R_2$$

Offset Voltage Adjustment



Comparator with Hysteresis

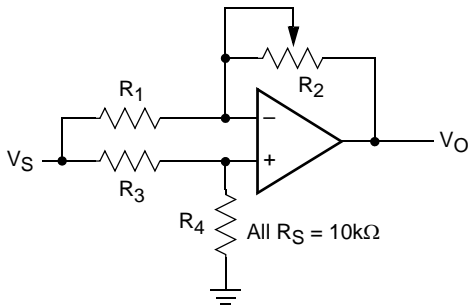


$$V_{UL} = \{R_1/(R_1 + R_2)\} V_O(\max)$$

$$V_{LL} = \{R_1/(R_1 + R_2)\} V_O(\min)$$

Application Circuits (continued)

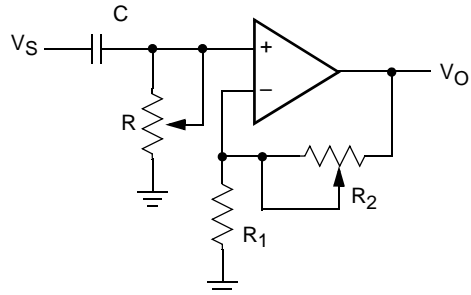
Attenuator



$$V_O = G V_S$$

$$-1/2 \leq G \leq +1/2$$

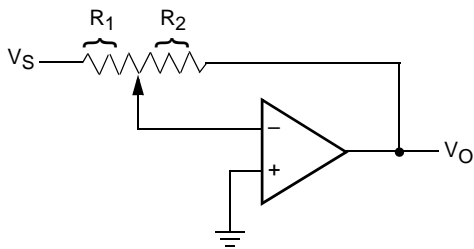
Filter



$$G_O = 1 + R_2/R_1$$

$$f_c = 1/(2\pi RC)$$

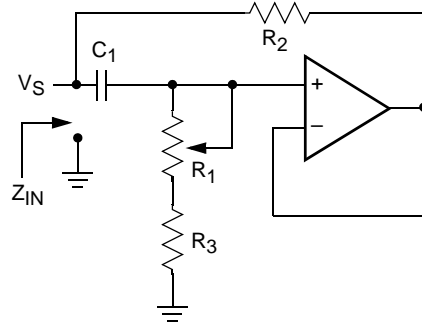
Inverting Amplifier



$$V_O = G V_S$$

$$G = -R_2/R_1$$

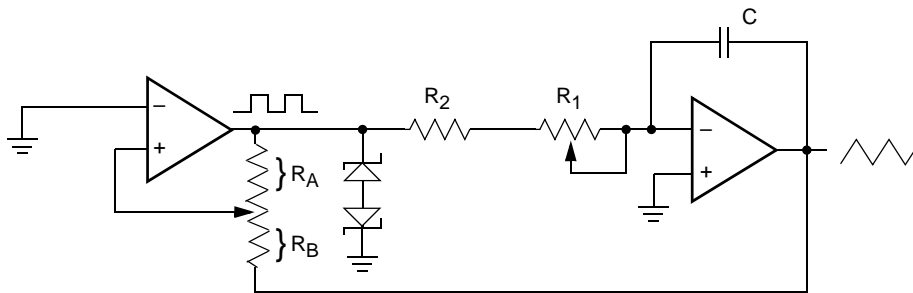
Equivalent L-R Circuit



$$Z_{IN} = R_2 + s R_2 (R_1 + R_3) C_1 = R_2 + s L_{eq}$$

$$(R_1 + R_3) \gg R_2$$

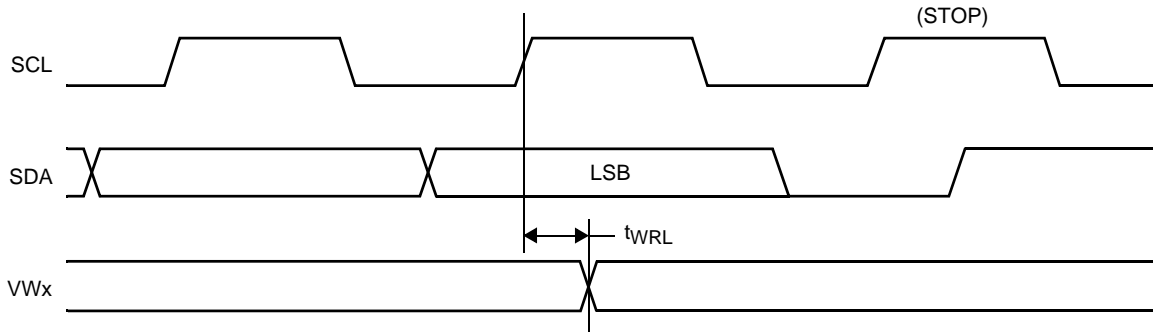
Function Generator



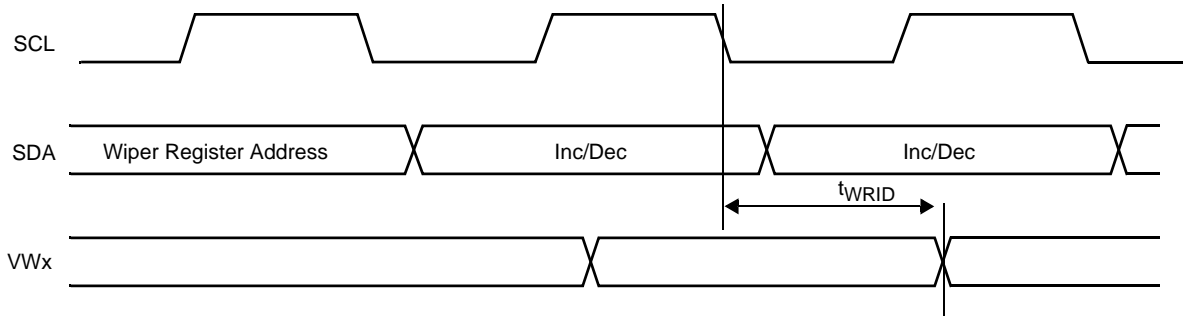
$$\text{frequency} \propto R_1, R_2, C$$

$$\text{amplitude} \propto R_A, R_B$$

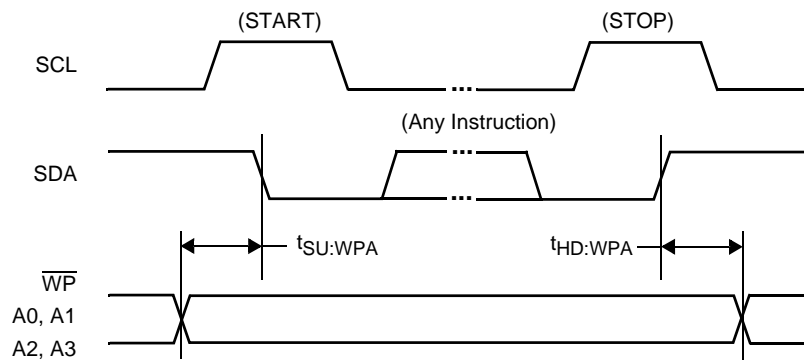
XDCP Timing (for All Load Instructions)



XDCP Timing (for Increment/Decrement Instruction)

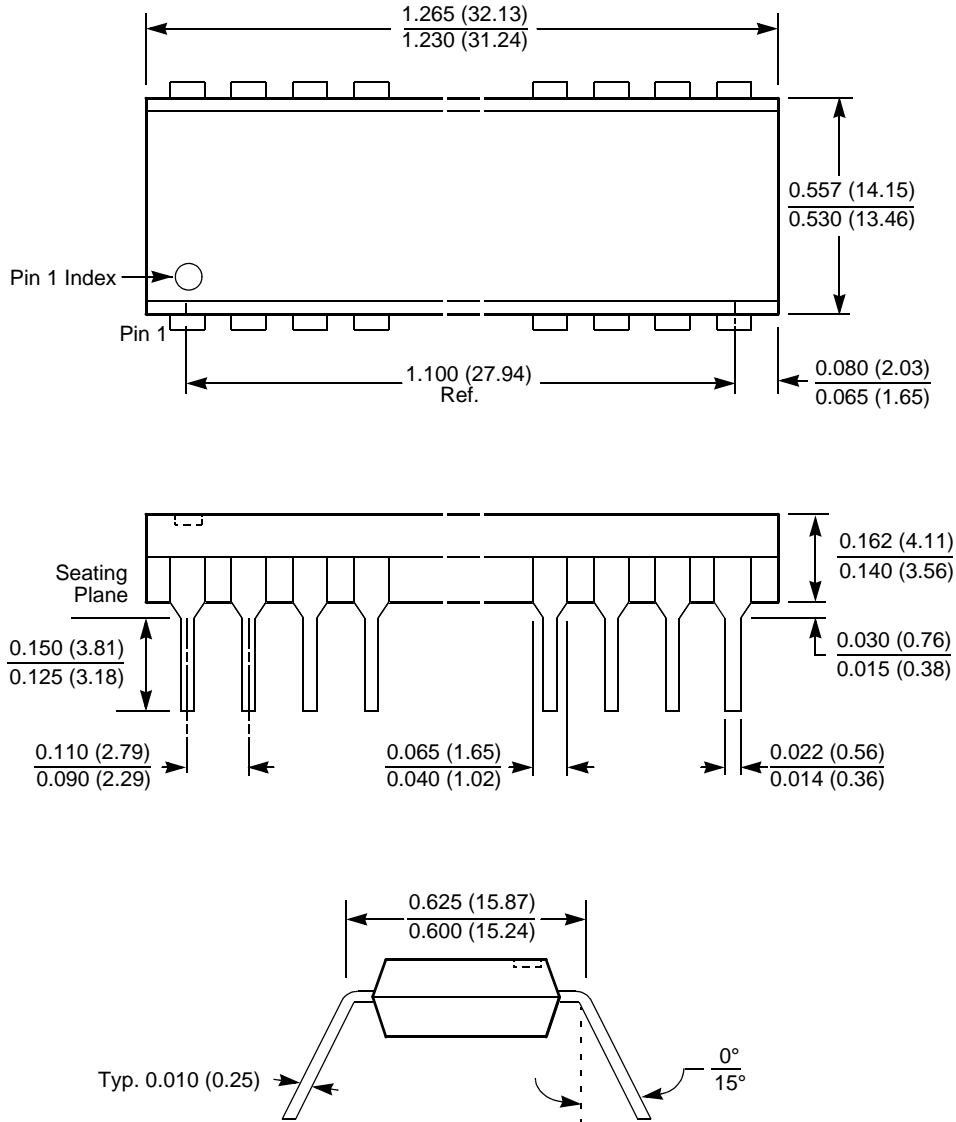


Write Protect and Device Address Pins Timing



PACKAGING INFORMATION

24-Lead Plastic Dual In-Line Package Type P

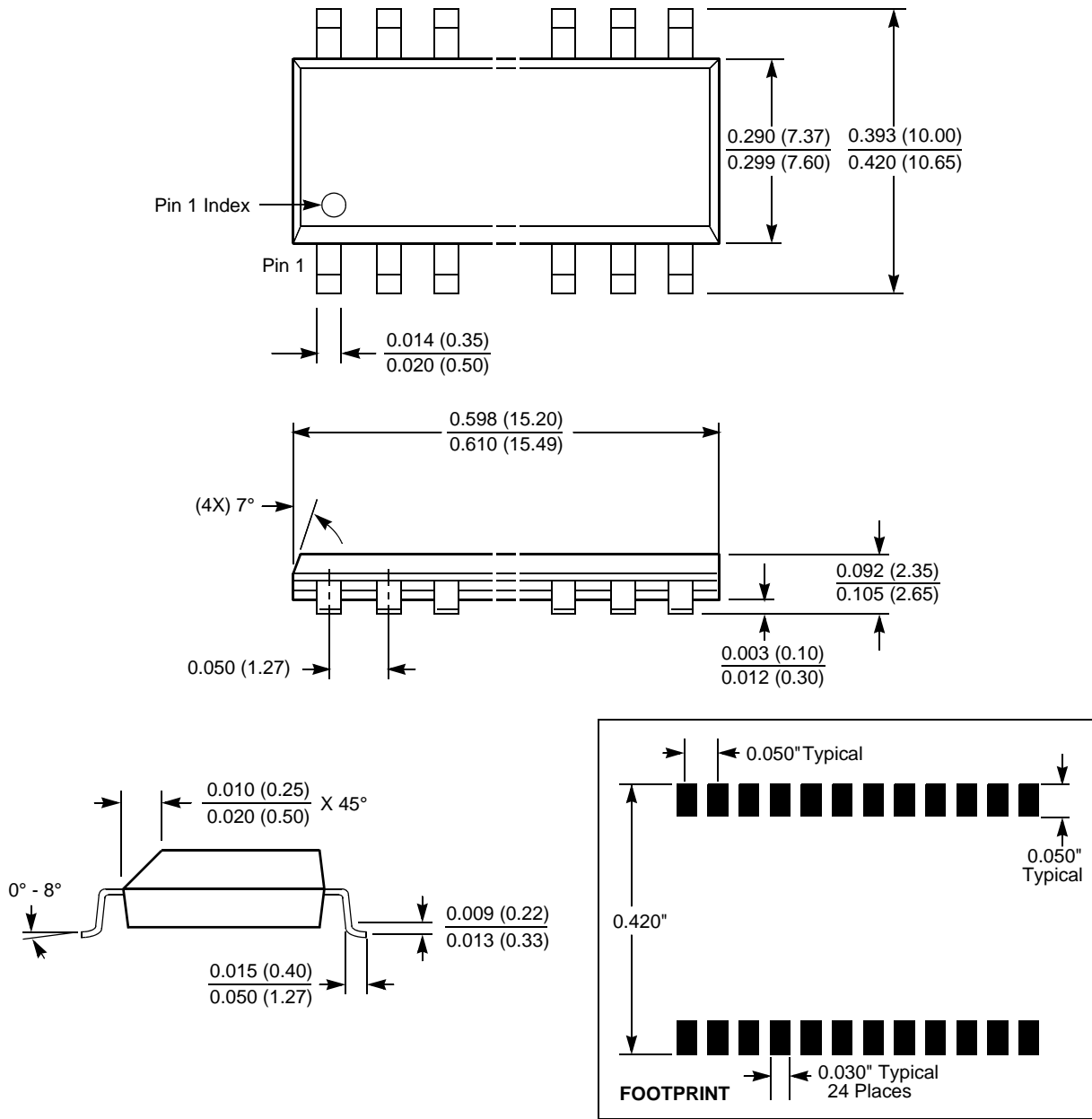


NOTE:

1. ALL DIMENSIONS IN INCHES (IN PARENTHESES IN MILLIMETERS)
2. PACKAGE DIMENSIONS EXCLUDE MOLDING FLASH

PACKAGING INFORMATION

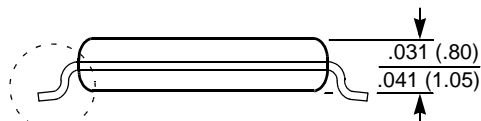
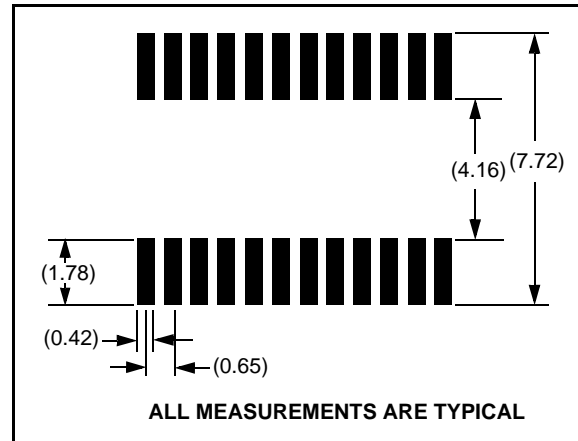
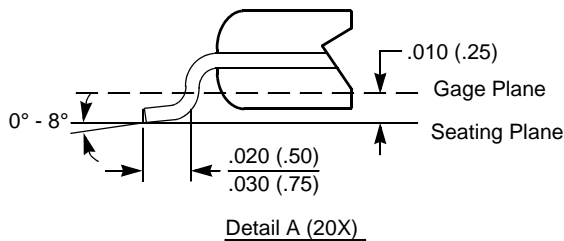
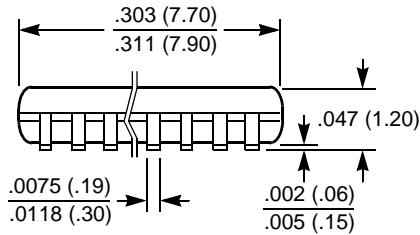
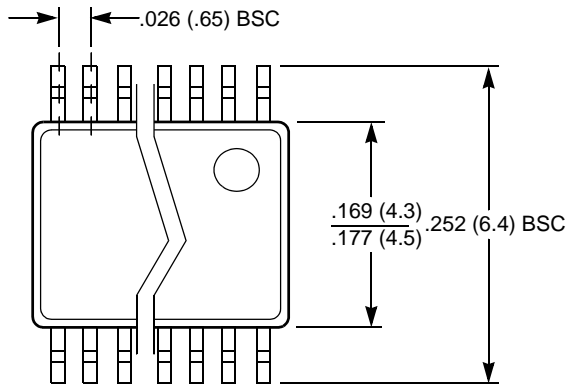
24-Lead Plastic Small Outline Gull Wing Package Type S



NOTE: ALL DIMENSIONS IN INCHES (IN PARENTHESES IN MILLIMETERS)

PACKAGING INFORMATION

24-Lead Plastic, TSSOP Package Type V



See Detail "A"

NOTE: ALL DIMENSIONS IN INCHES (IN PARENTHESES IN MILLIMETERS)

All Intersil U.S. products are manufactured, assembled and tested utilizing ISO9000 quality systems. Intersil Corporation's quality certifications can be viewed at www.intersil.com/design/quality

Intersil products are sold by description only. Intersil Corporation reserves the right to make changes in circuit design, software and/or specifications at any time without notice. Accordingly, the reader is cautioned to verify that data sheets are current before placing orders. Information furnished by Intersil is believed to be accurate and reliable. However, no responsibility is assumed by Intersil or its subsidiaries for its use; nor for any infringements of patents or other rights of third parties which may result from its use. No license is granted by implication or otherwise under any patent or patent rights of Intersil or its subsidiaries.

For information regarding Intersil Corporation and its products, see www.intersil.com

Device Information

X9408

[Printer Friendly Version](#)





Quad Digitally Controlled (XDCP™) Potentiometers








Datsheets, Related Docs & Simulations	Description	Key Features	Parametric Data	Application Diagrams	Related Devices
-----------------------------------------------------------	-----------------------------	------------------------------	---------------------------------	--------------------------------------	---------------------------------





Ordering Information

RoHS/Pb-Free/Green Device

Part No.	Design-In Status	Temp.	Package	MSL	Price US \$	
X9408WP24	Active	Comm	24 Ld PDIP	N/A	4.12	Buy
X9408WP24-2.7	Active	Comm	24 Ld PDIP	N/A	4.08	Buy
X9408WP24I	Active	Ind	24 Ld PDIP	N/A	4.62	Buy
X9408WP24I-2.7	Active	Ind	24 Ld PDIP	N/A	5.08	Buy
X9408WS24	Active	Comm	24 Ld SOIC	5	3.71	Buy
X9408WS24-2.7	Active	Comm	24 Ld SOIC	5	4.07	Buy Sample
X9408WS24-2.7T1	Active	Comm	24 Ld SOIC T+R	5	4.07	Buy
X9408WS24I	Active	Ind	24 Ld SOIC	5	4.62	Buy
X9408WS24I-2.7	Active	Ind	24 Ld SOIC	5	5.08	Buy
X9408WS24I-2.7T1	Active	Ind	24 Ld SOIC T+R	5	5.08	Buy
X9408WS24IT1	Active	Ind	24 Ld SOIC T+R	5	4.62	Buy
X9408WS24IZ-2.7	Active	Ind	24 Ld SOIC	5	5.08	Buy
X9408WS24IZ-2.7T2	Active	Ind	24 Ld SOIC T+R	5	5.08	Buy

X9408WS24T1	Active	Comm	24 Ld SOIC T+R	5	3.71	Buy	
X9408WV24	Active	Comm	24 Ld TSSOP	1	4.62	Buy	
X9408WV24-2.7	Active	Comm	24 Ld TSSOP	1	5.08	Buy	Sample
X9408WV24-2.7T1	Active	Comm	24 Ld TSSOP T+R	1	5.08	Buy	
X9408WV24I	Active	Ind	24 Ld TSSOP	1	5.78	Buy	
X9408WV24I-2.7	Active	Ind	24 Ld TSSOP	1	6.36	Buy	
X9408WV24I-2.7C7898	Active	Ind	24 Ld TSSOP T+R	1		Buy	
X9408WV24I-2.7T1	Active	Ind	24 Ld TSSOP T+R	1	6.36	Buy	
X9408WV24I-2.7T2	Active	Ind	24 Ld TSSOP T+R	3	6.36	Buy	
X9408WV24I-27T1C7898	Active	Ind	24 Ld TSSOP	1		Buy	
X9408WV24IT1	Active	Ind	24 Ld TSSOP T+R	1	5.78	Buy	
X9408WV24IZ 	Active	Ind	24 Ld TSSOP	3	5.78	Buy	
X9408WV24IZ-2.7 	Active	Ind	24 Ld TSSOP	3	6.36	Buy	
X9408WV24IZ-2.7T1 	Active	Ind	24 Ld TSSOP T+R	3	6.36	Buy	
X9408WV24IZT1 	Active	Ind	24 Ld TSSOP T+R	3	6.36	Buy	
X9408WV24T1	Active	Ind	24 Ld TSSOP T+R	1	4.62	Buy	
X9408WV24Z 	Active	Comm	24 Ld TSSOP	3	4.62	Buy	
X9408WV24Z-2.7 	Active	Comm	24 Ld TSSOP	3	5.08	Buy	
X9408WV24Z-2.7T1 	Active	Comm	24 Ld TSSOP	3	5.08	Buy	
X9408WV24ZT1 	Active	Comm	24 Ld TSSOP T+R	3	5.78	Buy	
X9408YP24	Active	Comm	24 Ld PDIP	N/A	4.12	Buy	
X9408YP24I-2.7	Active	Ind	24 Ld PDIP	N/A	5.08	Buy	
X9408YS24	Active	Comm	24 Ld SOIC	5	3.71	Buy	
X9408YS24-2.7	Active	Comm	24 Ld SOIC	5	4.07	Buy	

X9408YS24-2.7T1	Active	Comm	24 Ld SOIC T+R	5	4.07	Buy	
X9408YS24I	Active	Ind	24 Ld SOIC	5	4.62	Buy	
X9408YS24I-2.7	Active	Ind	24 Ld SOIC	5	5.08	Buy	
X9408YS24I-2.7T1	Active	Ind	24 Ld SOIC T+R	5	5.08	Buy	
X9408YS24IT1	Active	Ind	24 Ld SOIC T+R	5	4.62	Buy	
X9408YS24T1	Active	Comm	24 Ld SOIC T+R	5	3.71	Buy	
X9408YV24	Active	Comm	24 Ld TSSOP	1	4.62	Buy	
X9408YV24-2.7	Active	Comm	24 Ld TSSOP	1	5.08	Buy	Sample
X9408YV24-2.7T1	Active	Comm	24 Ld TSSOP T+R	1	5.08	Buy	
X9408YV24I	Active	Ind	24 Ld TSSOP	1	5.78	Buy	
X9408YV24I-2.7	Active	Ind	24 Ld TSSOP	1	6.36	Buy	
X9408YV24I-2.7C7898	Active	Ind	24 Ld TSSOP	1		Buy	
X9408YV24I-2.7T1	Active	Ind	24 Ld TSSOP T+R	1	6.36	Buy	
X9408YV24I-2.7T2	Active	Ind	24 Ld TSSOP T+R	3	6.36	Buy	
X9408YV24I-27T1C7898	Active	Ind	24 Ld TSSOP	1		Buy	
X9408YV24I-27T2C7898	Active	Ind	24 Ld TSSOP	3		Buy	
X9408YV24IT1	Active	Ind	24 Ld TSSOP T+R	1	5.78	Buy	
X9408YV24IZ 	Active	Ind	24 Ld TSSOP	3	5.78	Buy	
X9408YV24IZ-2.7 	Active	Ind	24 Ld TSSOP	3	6.36	Buy	
X9408YV24IZ-2.7T1 	Active	Ind	24 Ld TSSOP T+R	3	6.36	Buy	
X9408YV24IZT1 	Active	Ind	24 Ld TSSOP	3	6.36	Buy	
X9408YV24T1	Active	Comm	24 Ld TSSOP T+R	1	4.62	Buy	
X9408YV24Z 	Active	Comm	24 Ld TSSOP	3	4.62	Buy	
X9408YV24Z-2.7 	Active	Comm	24 Ld TSSOP	3	5.08	Buy	
X9408YV24Z-2.7T1 	Active	Comm	24 Ld TSSOP	3	5.08	Buy	

				<u>T+R</u>				
X9408YV24ZT1		Active	Comm	<u>24 Ld TSSOP</u> <u>T+R</u>	3	4.62	Buy	
XLABVIEW01		Active			N/A	91.77	Buy	Sample
XLABVIEW01Z		Active		Eval Board	N/A	91.77	Buy	
X9408WV24IZ-2.7T2		Coming Soon	Ind	<u>24 Ld TSSOP</u> <u>T+R</u>	3			
X9408YV24IZ-2.7T2		Coming Soon	Ind	<u>24 Ld TSSOP</u> <u>T+R</u>	3			

The price listed is the manufacturer's suggested retail price for quantities between 100 and 999 units. However, prices in today's market are fluid and may change without notice.

MSL = Moisture Sensitivity Level - per IPC/JEDEC J-STD-020

SMD = Standard Microcircuit Drawing

Description

The X9408 integrates four digitally controlled potentiometers (XDCP) on a monolithic CMOS integrated circuit.

The digital controlled potentiometer is implemented using 63 resistive elements in a series array. Between each element are tap points connected to the wiper terminal through switches. The position of the wiper on the array is controlled by the user through the 2-wire bus interface. Each potentiometer has associated with it a volatile Wiper Counter Register (WCR) and four non-volatile Data Registers that can be directly written to and read by the user. The contents of the WCR controls the position of the wiper on the resistor array through the switches. Powerup recalls the contents of the default data register (DR0) to the WCR.

The XDCP can be used as a three-terminal potentiometer or as a two terminal variable resistor in a wide variety of applications including control, parameter adjustments, and signal processing.

Key Features

- Four potentiometers in one package
- 64 resistor taps per potentiometer
- 2-wire serial interface
- Wiper resistance, 40Ω typical at 5V
- Four nonvolatile data registers for each pot
- Nonvolatile storage of wiper position
- Standby current < 1iA max (total package)
- V_{CC} = 2.7V to 5.5V operation V₊ = 2.7V to 5.5V V₋ = -2.7V to -5.5V
- 10kΩ, 2.5kΩ end to end resistances
- High reliability
 - Endurance—100,000 data changes per bit per register
 - Register data retention—100 years
- 24 Ld SOIC, 24 Ld TSSOP, 24 Ld PDIP packages

- Pb-free plus anneal available (RoHS compliant)

Related Documentation



Application Note(s):

- [A Compendium of Application Circuits for Intersil's Digitally-Controlled \(XDCP\) Potentiometers](#)
- [A Primer on Digitally-Controlled Potentiometers](#)
- [Achieving Excellent Audio Performance in Digitally Controlled Pots](#)
- [Application of Intersil Digitally Controlled Potentiometers \(XDCP™\) as Hybrid Analog/Digital Feedback System Control Elements](#)
- [Audio Xcellence: XDCP Signal Integrity Report \(Audio Characterization Report\)](#)
- [DC/DC Module Trim with Digital Potentiometers](#)
- [Designing Power Supplies Using Intersil's XDCP Mixed Signal Products](#)
- [Interfacing the X9408/X9418 XDCP to 8051 Microcontrollers](#)
- [Power Supply and DC to DC Converter Control using Intersil Digitally Controlled Potentiometers \(XDCPs\)](#)
- [Putting Analog On The Bus](#)
- [Shaft Encoder Drives Multiple Intersil Digitally Controlled Potentiometers \(XDCPs\)](#)
- [Tone, Balance, and Volume Control using a Quad XDCP](#)



Datasheet(s):

- [Quad Digitally Controlled \(XDCP™\) Potentiometers](#)



Technical Brief(s):

- [Converting a Fixed PWM to an Adjustable PWM](#)



Evaluation Board(s):

- [Intersil_XDCP_Test_Utility_Manual_rev_3.2.3.pdf](#)
- [LabView_XDCP_Software.zip](#)
- [LabView_XDCP_Upgrade_3.2.3.zip](#)
- [Readme_XicorLabVIEW_V3.2.3.txt](#)
- [XDCP_Vref Evaluation Board Kit Documentation and Software](#)
- [accessHW.zip](#)



Technical Homepage:

- [Digitally Controlled Potentiometers \(DCPs\) and Capacitors \(DCCs\)](#)
- [Precision Analog Homepage](#)



Parametric Data

Resistance Options (kΩ)	2.5, 10
	2.7 to 5.5

- ▶ **Products**
- Amplifiers/Buffers
- ATE ICs
- Automotive ICs
- Communications ICs
- Data Converters
- Digital Potentiometers (DCPs)
- Digital ICs
- Display ICs
- Interface ICs
- Military/Space
- Optical Storage
- Power Management
- Precision Analog
- Special Analog
- Switches/MUXes/Crosspoints
- Timing Circuits
- Video ICs
- Voltage References
- [Product Tree](#)
- [New Products](#)
- ▼ [Design Assistance](#)
- ▼ [Support](#)
- ▼ [Sales and Ordering](#)
- ▼ [Search](#)
- [Subscribe](#)

V_{CC} Range (V)	
DCP Bias Range (V)	-10, +10
DCP Differential Terminal Voltage (V)	10
V+, V- Supply Range (V)	2.7 to 5.5 and -5.5 to -2.7
Terminal Voltage Range V_L to V_H (V)	V- to V+
Resistance Taper	Linear
Wiper Current (mA)	± 3
Wiper Resistance (Ω)	150
Standby Current I_{SB} (μA)	1

Application Block Diagrams

- [Game Console](#)
- [Notebook Computers](#)

Related Devices

 [Parametric Table](#)

- [X9241A](#) Quad Digital Controlled Potentioneters (XD^{CP}™), Non-Volatile/Low Power/2-Wire/64 Taps
- [X9400](#) Quad Digitally Controlled Potentiometers (XD^{CP}™)
- [X9401](#) Qual Digitally Controlled Potentiometer (XD^{CP}™)
- [X9409](#) Quad Digitally Controlled Potentiometers (XD^{CP}™)

[About Us](#) | [Careers](#) | [Contact Us](#) | [Investors](#) | [Legal](#) | [Privacy](#) | [Site Map](#) | [Subscribe](#) | [Intranet](#)



©2007. All rights reserved.

X9408

[Printer Friendly Version](#)

Quad Digitally Controlled (XDCP™) Potentiometers

Datasheets, Related Docs & Simulations	Description	Key Features	Parametric Data	Application Diagrams	Related Devices
------------------------------------------------------------	-----------------------------	------------------------------	---------------------------------	--------------------------------------	---------------------------------

Ordering Information

RoHS/Pb-Free/Green Device

Part No.	Design-In Status	Temp.	Package	MSL	Price US \$	
X9408WP24	Active	Comm	24 Ld PDIP	N/A	4.12	Buy
X9408WP24-2.7	Active	Comm	24 Ld PDIP	N/A	4.08	Buy
X9408WP24I	Active	Ind	24 Ld PDIP	N/A	4.62	Buy
X9408WP24I-2.7	Active	Ind	24 Ld PDIP	N/A	5.08	Buy
X9408WS24	Active	Comm	24 Ld SOIC	5	3.71	Buy
X9408WS24-2.7	Active	Comm	24 Ld SOIC	5	4.07	Buy Sample
X9408WS24-2.7T1	Active	Comm	24 Ld SOIC T+R	5	4.07	Buy
X9408WS24I	Active	Ind	24 Ld SOIC	5	4.62	Buy
X9408WS24I-2.7	Active	Ind	24 Ld SOIC	5	5.08	Buy
X9408WS24I-2.7T1	Active	Ind	24 Ld SOIC T+R	5	5.08	Buy
X9408WS24IT1	Active	Ind	24 Ld SOIC T+R	5	4.62	Buy
X9408WS24IZ-2.7	Active	Ind	24 Ld SOIC	5	5.08	Buy
X9408WS24IZ-2.7T2	Active	Ind	24 Ld SOIC T+R	5	5.08	Buy
X9408WS24T1	Active	Comm	24 Ld SOIC T+R	5	3.71	Buy
X9408WV24	Active	Comm	24 Ld TSSOP	1	4.62	Buy
X9408WV24-2.7	Active	Comm	24 Ld TSSOP	1	5.08	Buy Sample
X9408WV24-2.7T1	Active	Comm	24 Ld TSSOP T+R	1	5.08	Buy
X9408WV24I	Active	Ind	24 Ld TSSOP	1	5.78	Buy
X9408WV24I-2.7	Active	Ind	24 Ld TSSOP	1	6.36	Buy
X9408WV24I-2.7C7898	Active	Ind	24 Ld TSSOP T+R	1		Buy
X9408WV24I-2.7T1	Active	Ind	24 Ld TSSOP T+R	1	6.36	Buy
X9408WV24I-2.7T2	Active	Ind	24 Ld TSSOP T+R	3	6.36	Buy
X9408WV24I-27T1C7898	Active	Ind	24 Ld TSSOP	1		Buy
X9408WV24IT1	Active	Ind	24 Ld TSSOP T+R	1	5.78	Buy
X9408WV24IZ	Active	Ind	24 Ld TSSOP	3	5.78	Buy
X9408WV24IZ-2.7	Active	Ind	24 Ld TSSOP	3	6.36	Buy
X9408WV24IZ-2.7T1	Active	Ind	24 Ld TSSOP T+R	3	6.36	Buy
X9408WV24IZT1	Active	Ind	24 Ld TSSOP T+R	3	6.36	Buy
X9408WV24T1	Active	Ind	24 Ld TSSOP T+R	1	4.62	Buy
X9408WV24Z	Active	Comm	24 Ld TSSOP	3	4.62	Buy
X9408WV24Z-2.7	Active	Comm	24 Ld TSSOP	3	5.08	Buy
X9408WV24Z-2.7T1	Active	Comm	24 Ld TSSOP	3	5.08	Buy
X9408WV24ZT1	Active	Comm	24 Ld TSSOP T+R	3	5.78	Buy

X9408YP24	Active	Comm	24 Ld PDIP	N/A	4.12	Buy	
X9408YP24I-2.7	Active	Ind	24 Ld PDIP	N/A	5.08	Buy	
X9408YS24	Active	Comm	24 Ld SOIC	5	3.71	Buy	
X9408YS24-2.7	Active	Comm	24 Ld SOIC	5	4.07	Buy	
X9408YS24-2.7T1	Active	Comm	24 Ld SOIC T+R	5	4.07	Buy	
X9408YS24I	Active	Ind	24 Ld SOIC	5	4.62	Buy	
X9408YS24I-2.7	Active	Ind	24 Ld SOIC	5	5.08	Buy	
X9408YS24I-2.7T1	Active	Ind	24 Ld SOIC T+R	5	5.08	Buy	
X9408YS24IT1	Active	Ind	24 Ld SOIC T+R	5	4.62	Buy	
X9408YS24T1	Active	Comm	24 Ld SOIC T+R	5	3.71	Buy	
X9408YV24	Active	Comm	24 Ld TSSOP	1	4.62	Buy	
X9408YV24-2.7	Active	Comm	24 Ld TSSOP	1	5.08	Buy	Sample
X9408YV24-2.7T1	Active	Comm	24 Ld TSSOP T+R	1	5.08	Buy	
X9408YV24I	Active	Ind	24 Ld TSSOP	1	5.78	Buy	
X9408YV24I-2.7	Active	Ind	24 Ld TSSOP	1	6.36	Buy	
X9408YV24I-2.7C7898	Active	Ind	24 Ld TSSOP	1		Buy	
X9408YV24I-2.7T1	Active	Ind	24 Ld TSSOP T+R	1	6.36	Buy	
X9408YV24I-2.7T2	Active	Ind	24 Ld TSSOP T+R	3	6.36	Buy	
X9408YV24I-27T1C7898	Active	Ind	24 Ld TSSOP	1		Buy	
X9408YV24I-27T2C7898	Active	Ind	24 Ld TSSOP	3		Buy	
X9408YV24IT1	Active	Ind	24 Ld TSSOP T+R	1	5.78	Buy	
X9408YV24IZ 	Active	Ind	24 Ld TSSOP	3	5.78	Buy	
X9408YV24IZ-2.7 	Active	Ind	24 Ld TSSOP	3	6.36	Buy	
X9408YV24IZ-2.7T1 	Active	Ind	24 Ld TSSOP T+R	3	6.36	Buy	
X9408YV24IZT1 	Active	Ind	24 Ld TSSOP	3	6.36	Buy	
X9408YV24T1	Active	Comm	24 Ld TSSOP T+R	1	4.62	Buy	
X9408YV24Z 	Active	Comm	24 Ld TSSOP	3	4.62	Buy	
X9408YV24Z-2.7 	Active	Comm	24 Ld TSSOP	3	5.08	Buy	
X9408YV24Z-2.7T1 	Active	Comm	24 Ld TSSOP T+R	3	5.08	Buy	
X9408YV24ZT1 	Active	Comm	24 Ld TSSOP T+R	3	4.62	Buy	
XLABVIEW01	Active			N/A	91.77	Buy	Sample
XLABVIEW01Z 	Active		Eval Board	N/A	91.77	Buy	
X9408WV24IZ-2.7T2 	Coming Soon	Ind	24 Ld TSSOP T+R	3			
X9408YV24IZ-2.7T2 	Coming Soon	Ind	24 Ld TSSOP T+R	3			

The price listed is the manufacturer's suggested retail price for quantities between 100 and 999 units. However, prices in today's market are fluid and may change without notice.

MSL = Moisture Sensitivity Level - per IPC/JEDEC J-STD-020

SMD = Standard Microcircuit Drawing

Description

The X9408 integrates four digitally controlled potentiometers (XDCP) on a monolithic CMOS integrated circuit.

The digital controlled potentiometer is implemented using 63 resistive elements in a series array. Between each element are tap points connected to the wiper terminal through switches. The position of the wiper on the array is controlled by the user through the 2-wire bus interface. Each potentiometer has associated with it a volatile Wiper Counter Register (WCR) and four non-volatile Data Registers that can be directly written to and read by the user. The contents of the WCR controls the position of the wiper on the resistor array through the switches. Powerup recalls the

contents of the default data register (DR0) to the WCR.

The XDCP can be used as a three-terminal potentiometer or as a two terminal variable resistor in a wide variety of applications including control, parameter adjustments, and signal processing.

Key Features

- Four potentiometers in one package
- 64 resistor taps per potentiometer
- 2-wire serial interface
- Wiper resistance, 40Ω typical at 5V
- Four nonvolatile data registers for each pot
- Nonvolatile storage of wiper position
- Standby current < 11A max (total package)
- V_{CC} = 2.7V to 5.5V operation V+ = 2.7V to 5.5V V- = -2.7V to -5.5V
- 10kΩ, 2.5kΩ end to end resistances
- High reliability
 - Endurance—100,000 data changes per bit per register
 - Register data retention—100 years
- 24 Ld SOIC, 24 Ld TSSOP, 24 Ld PDIP packages
- Pb-free plus anneal available (RoHS compliant)

Related Documentation



Application Note(s):

- [A Compendium of Application Circuits for Intersil's Digitally-Controlled \(XDCP\) Potentiometers](#)
- [A Primer on Digitally-Controlled Potentiometers](#)
- [Achieving Excellent Audio Performance in Digitally Controlled Pots](#)
- [Application of Intersil Digitally Controlled Potentiometers \(XDCP™\) as Hybrid Analog/Digital Feedback System Control Elements](#)
- [Audio Xcellence: XDCP Signal Integrity Report \(Audio Characterization Report\)](#)
- [DC/DC Module Trim with Digital Potentiometers](#)
- [Designing Power Supplies Using Intersil's XDCP Mixed Signal Products](#)
- [Interfacing the X9408/X9418 XDCP to 8051 Microcontrollers](#)
- [Power Supply and DC to DC Converter Control using Intersil Digitally Controlled Potentiometers \(XDCPs\)](#)
- [Putting Analog On The Bus](#)
- [Shaft Encoder Drives Multiple Intersil Digitally Controlled Potentiometers \(XDCPs\)](#)
- [Tone, Balance, and Volume Control using a Quad XDCP](#)



Datasheet(s):

- [Quad Digitally Controlled \(XDCP™\) Potentiometers](#)



Technical Brief(s):

- [Converting a Fixed PWM to an Adjustable PWM](#)



Evaluation Board(s):

- [Intersil_XDCP_Test_UTILITY_Manual_rev_3.2.3.pdf](#)
- [LabView_XDCP_Software.zip](#)
- [LabView_XDCP_Upgrade_3.2.3.zip](#)
- [Readme_XicorLabVIEW_V3.2.3.txt](#)
- [XDCP_Vref Evaluation Board Kit Documentation and Software](#)
- [accessHW.zip](#)



Technical Homepage:

- [Digitally Controlled Potentiometers \(DCPs\) and Capacitors \(DCCs\)](#)
- [Precision Analog Homepage](#)



Parametric Data

Number of DCPs	Quad
Number of Taps	64
Memory Type	Non-Volatile
Bus Interface Type	2-Wire
Resistance Options (k Ω)	2.5, 10
V _{CC} Range (V)	2.7 to 5.5
DCP Bias Range (V)	-10, +10
DCP Differential Terminal Voltage (V)	10
V+, V- Supply Range (V)	2.7 to 5.5 and -5.5 to -2.7
Terminal Voltage Range V _L to V _H (V)	V- to V+
Resistance Taper	Linear
Wiper Current (mA)	± 3
Wiper Resistance (Ω)	150
Standby Current I _{SB} (μ A)	1

Application Block Diagrams

- [Game Console](#)
- [Notebook Computers](#)

Related Devices

 [Parametric Table](#)

X9241A	Quad Digital Controlled Potentionmeters (XDCP™), Non-Volatile/Low Power/2-Wire/64 Taps
X9400	Quad Digitally Controlled Potentiometers (XDCP™)
X9401	Qual Digitally Controlled Potentiometer (XDCP™)
X9409	Quad Digitally Controlled Potentiometers (XDCP™)