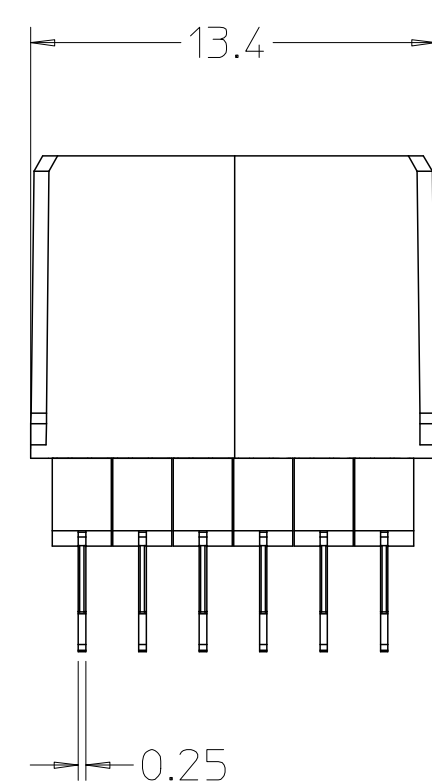
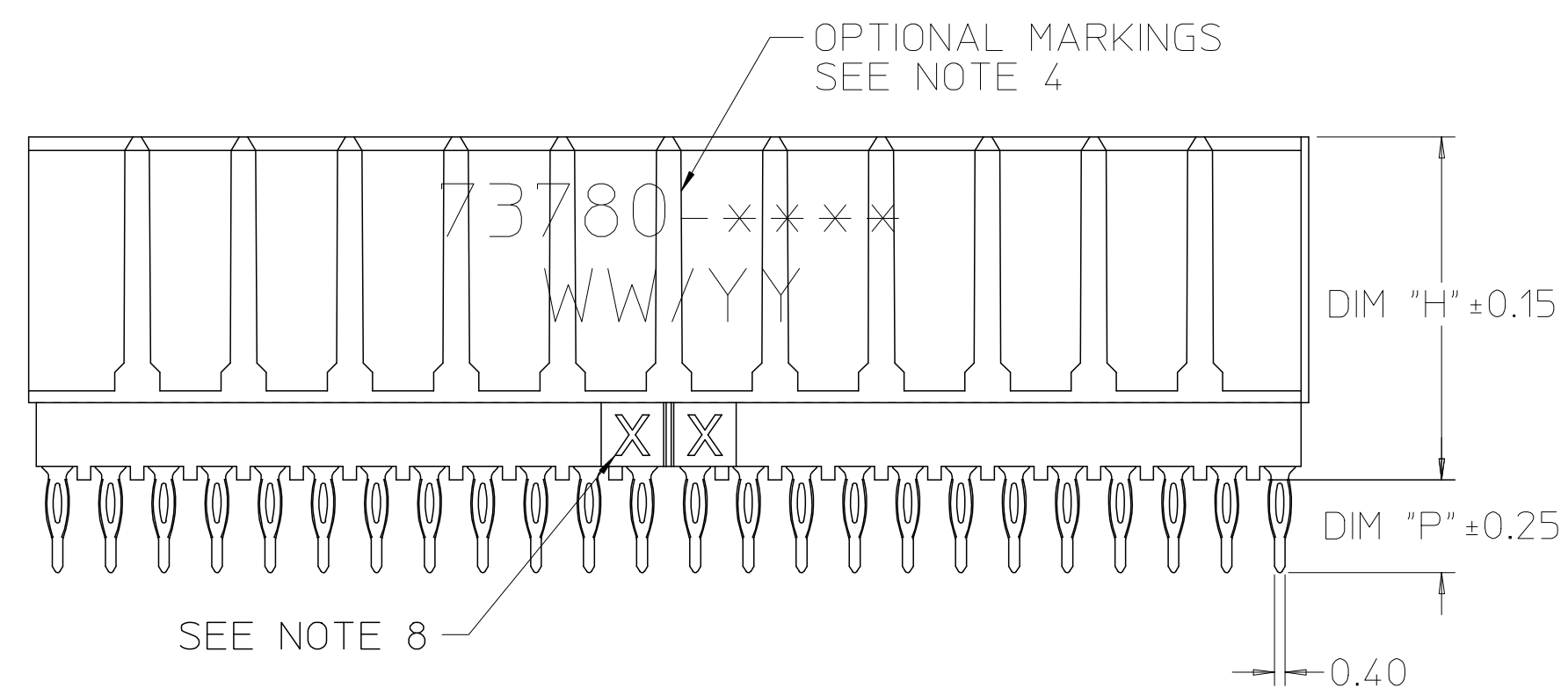
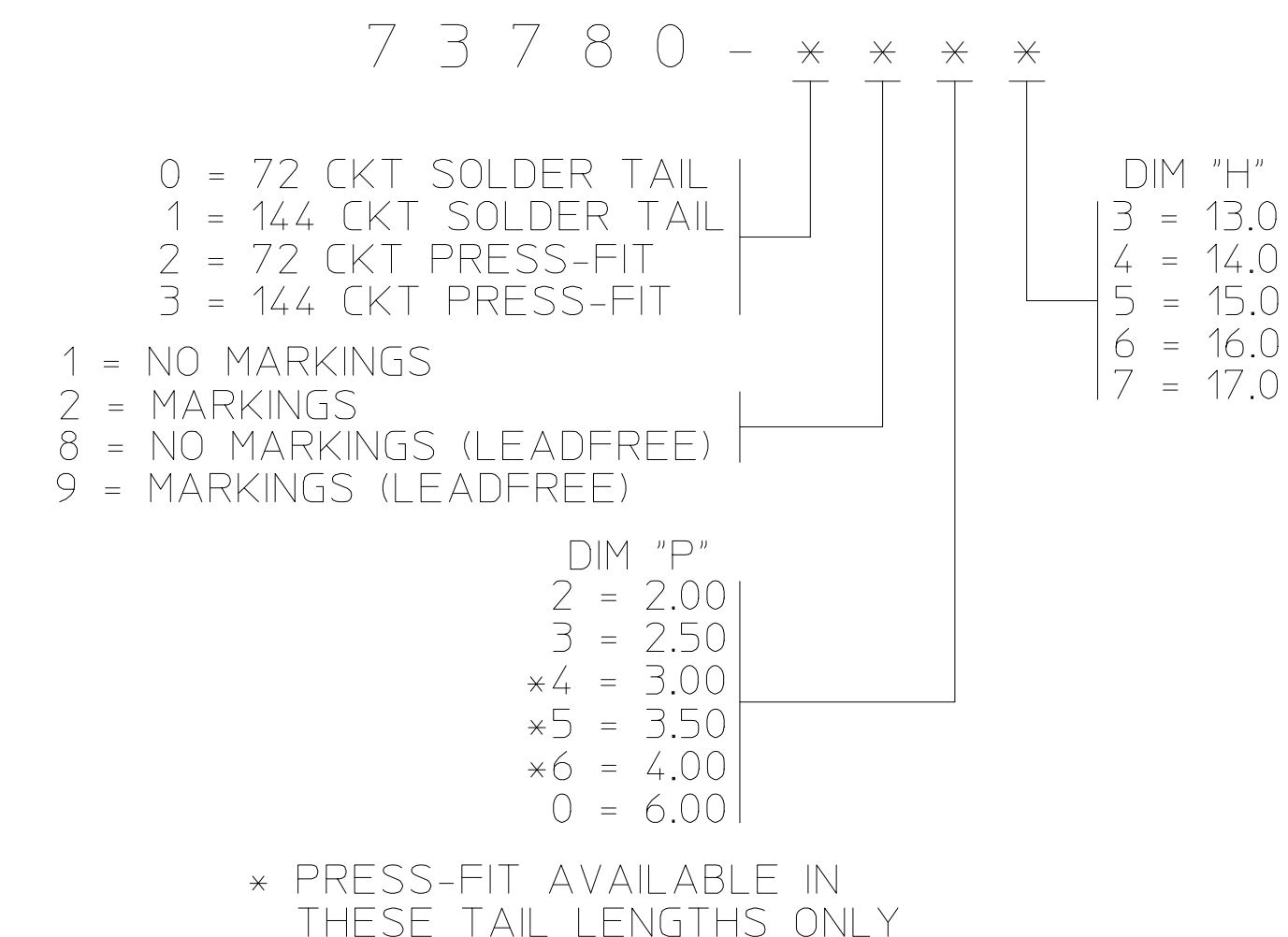


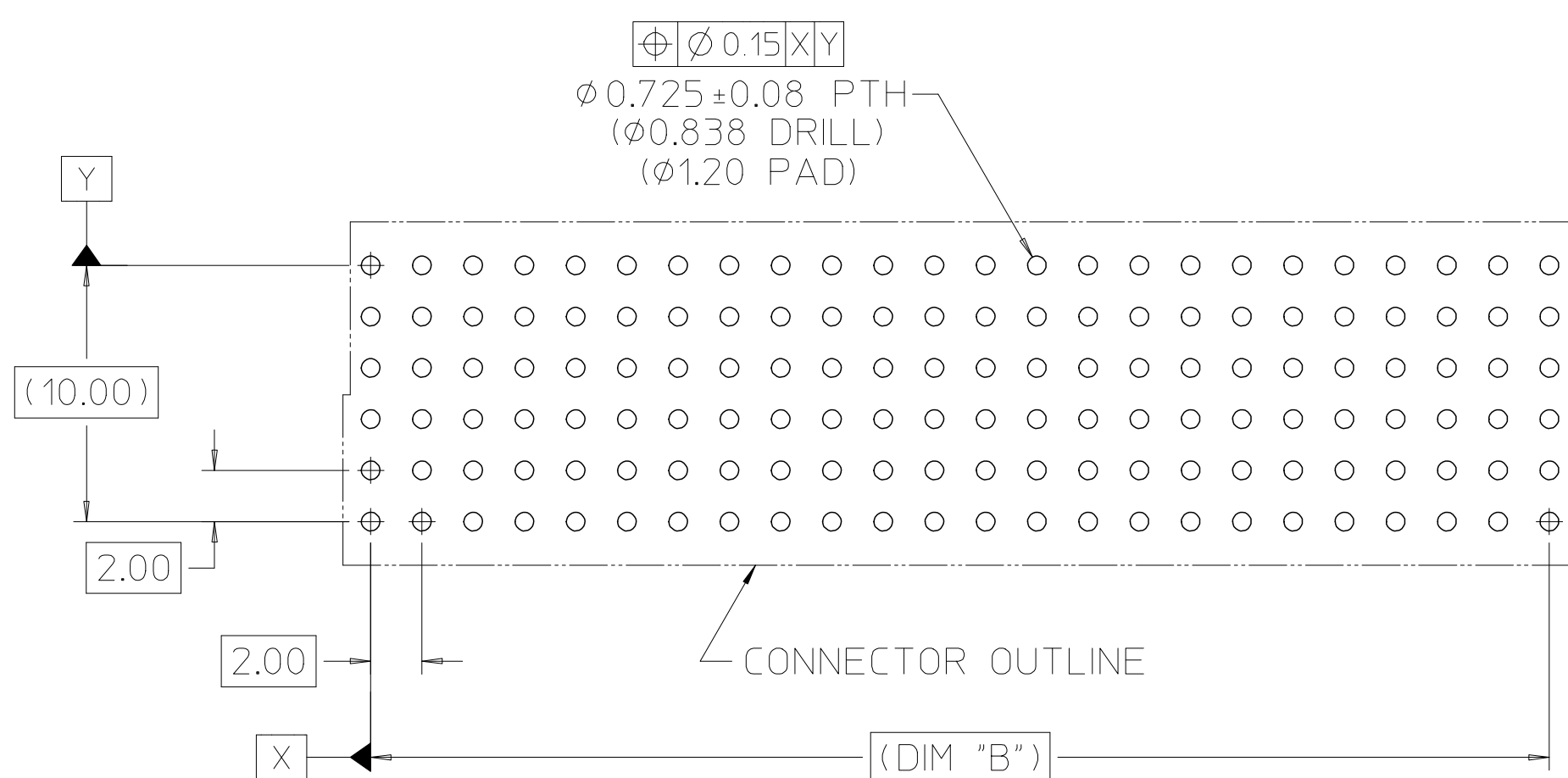
MATERIAL NUMBER ASSIGNMENT



NOTES:

- MATERIALS: HOUSING - LIQUID CRYSTAL POLYMER (LCP), GLASS-FILLED, UL94V-0, COLOR: BLACK
- FINISH: SELECTIVE GOLD (Au) IN CONTACT AREA, SELECTIVE TIN/LEAD OR MATTE TIN ON TAILS; NICKEL (Ni) OVERALL. ALL SOLDER TAILS TO BE LEAD FREE.
- THIS PART CONFORMS TO MOLEX PRODUCT SPECIFICATION PS-73780-999.
- MARKINGS SHOWN FOR REFERENCE ONLY. SEE MATERIAL NUMBER ASSIGNMENT DIAGRAM FOR CORRECT NUMBER. MARKINGS TO INCLUDE MATERIAL NUMBER AND DATE CODE AND CAN BE LOCATED ANYWHERE ON PART, IN ANY ORIENTATION.
- 73780-***7 AND -**0* PARTS TO BE PACKAGED IN TUBES PER PK-70873-0872. ALL OTHER PARTS TO BE PACKAGED IN TUBES PER PK-70873-0900.
- 144-CIRCUIT HDM DAUGHTERCARD STACKING MODULE WITH PRESS-FIT TAILS SHOWN FOR ILLUSTRATION PURPOSES ONLY.
- TRUE POSITION OF PC TAILS IS INSPECTED USING GAUGE NUMBER 73727-0014.
- MARKINGS MAY BE ORIENTATED TOWARDS EITHER SIDE OF CONNECTOR.

PCB LAYOUT: COMPONENT SIDE



73780-1***/-3***	144	48.17	46.00	47.6
73780-0***/-2***	72	24.17	22.00	23.6
MATERIAL NUMBER	CIRCUIT SIZE	DIM "A"	DIM "B"	DIM "C"

ADDED NOTE 8 EC NO: UCP2007-2363 DRWN: DANIELLEY 2007/03/21 CHKD: BINGHAM 2007/04/04 APPR: SMILLER 2007/04/11	QUALITY SYMBOLS ▽=0 ▽=0	GENERAL TOLERANCES (UNLESS SPECIFIED)		DIMENSION STYLE MM ONLY		SCALE 4:1	DESIGN UNITS METRIC	THIRD ANGLE PROJECTION	
				mm	INCH	DRAWN BY REED	DATE 97/04/24	TITLE SALES ASSEMBLY, HDM DAUGHTERCARD STACKING MODULE	
		4 PLACES ± ---	± ---			CHECKED BY BINGHAM	DATE 97/04/24	MOLEX INCORPORATED	
		3 PLACES ± ---	± ---			APPROVED BY BIXLER	DATE 97/04/24	MATERIAL NO. SD-73780-001	SHEET NO. 1 OF 1
		2 PLACES ± 0.05	± ---	ANGULAR ± 2 °		THIS DRAWING CONTAINS INFORMATION THAT IS PROPRIETARY TO MOLEX INCORPORATED AND SHOULD NOT BE USED WITHOUT WRITTEN PERMISSION			
		1 PLACE ± 0.10	± ---	DRAFT WHERE APPLICABLE MUST REMAIN WITHIN DIMENSIONS					