

VG95328 R
Bayonet-Lock
Front Panel Mount Square Flange Receptacle
with Backshell for EMI Shield Termination and Shrink Boot

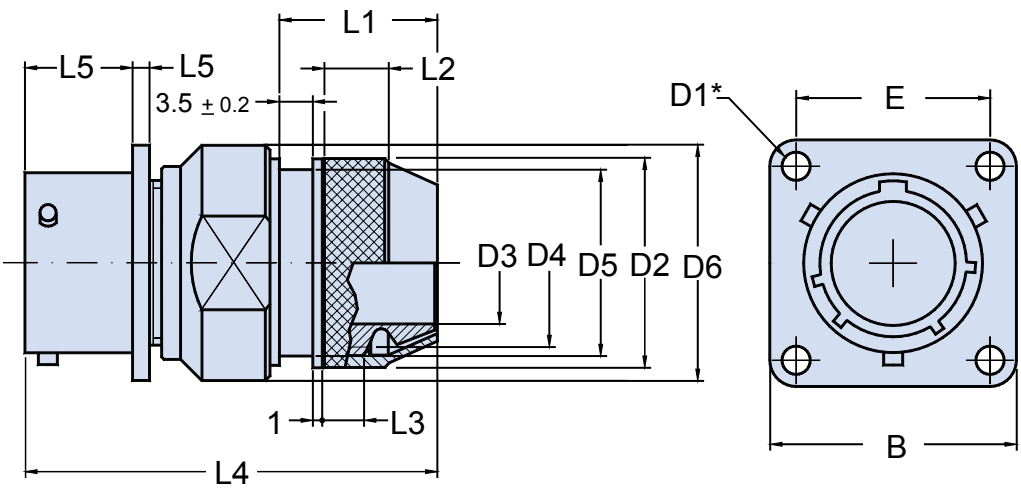
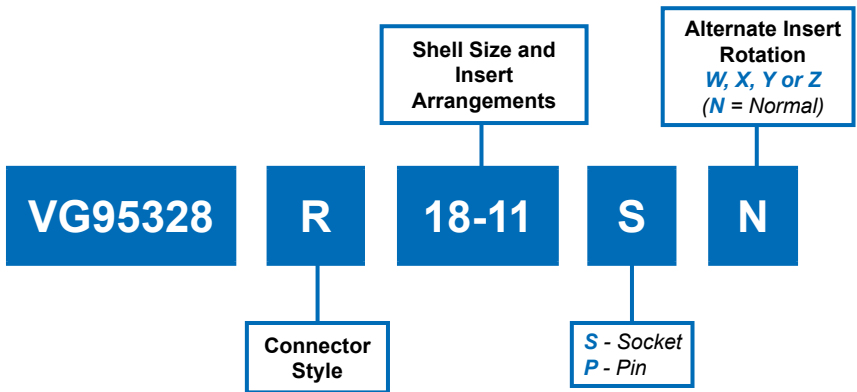


TABLE I: DIMENSIONS

Shell size	B Max.	D1 Min.	E ± 0.15	L4 Max.	L5 + 0.8 - 0	L6 Max.	Maximum Weight in Grams
8	21.03	2.9	15.08	54	10.94	2.0	26
10	24.23	2.9	18.26	54	10.94	2.0	32
12	26.59	2.9	20.62	54	10.94	2.0	38
14	28.98	2.9	23.01	54	10.94	2.0	44
16	31.34	2.9	24.61	54	10.94	2.0	49
18	33.73	2.9	26.97	54	10.94	2.0	60
20	36.90	2.9	29.36	62	14.12	2.8	70
22	40.08	2.9	31.75	62	14.12	2.8	73
24	43.25	3.6	34.92	62	14.96	2.8	87

* Through Mounting Holes

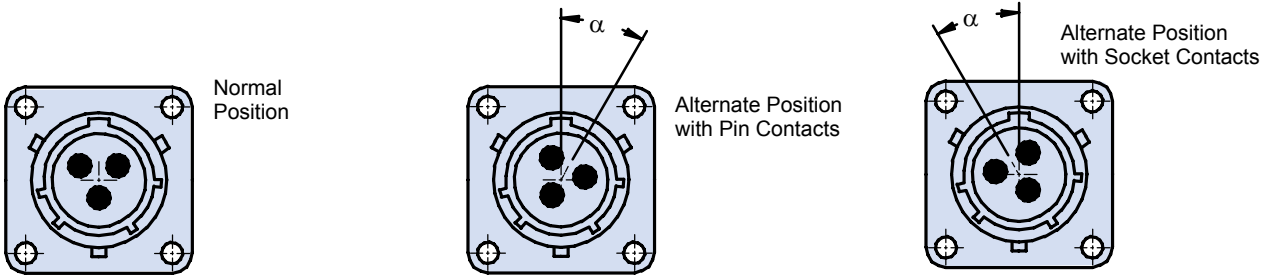
VG95328 R Bayonet-Lock Front Panel Mount Square Flange Receptacle with Backshell for EMI Shield Termination and Shrink Boot



VG95328
Connectors

Contact Arrangements			
Arrangement	Cl. Isol. Rating	Dim. contact size	
		20	16
8 - 3A	I	3	
10 - 6	I	6	
12 - 3	II		3
12 - 10	I	10	
14 - 5	II		5
14 - 12	I	8	4
14 - 15	I	14	1
14 - 19	I	19	
16 - 8	II		8
16 - 23	I	22	1
16 - 26	I	26	
18 - 11	II		11
18 - 32	I	32	
20 - 16	II		16
20 - 41	I	41	
22 - 21	II		21
22 - 55	I	55	
24 - 61	I	61	

Alternate Insert Orientations				
Arrangement	Degrees			
	W	X	Y	Z
8 - 3A	60	(120)		
10 - 6	90			
12 - 3			180	
12 - 10	60	155	270	295
14 - 5	40	92	184	273
14 - 12	43	90		
14 - 15	17	110	155	234
14 - 19	30	165	315	
16 - 8	54	152	180	331
16 - 23	158	270		
16 - 26	60		275	338
18 - 11	62	119	241	340
18 - 32	85	138	222	265
20 - 16	238	318	333	347
20 - 41	45	126	225	
22 - 21	16	135	175	349
22 - 55	30	142	226	314
24 - 61	90	180	270	324



MATERIALS	
SHELLS Aluminum Alloy IAW QQ-A-591 Shells	INSERTS (Temperature Range) High Insulation Synthetic Rubber (Chloroprene): -55°C/+125°C
Stainless Steel Coupling Pins	CRIMP CONTACTS
Stainless Steel Spring	Copper Alloy with Gold Plating Over Nickel

STANDARD FINISH (For QQ-A-591 Aluminum Shells)	
Requirements	Cadmium with Olive Drab Passivation IAW QQ-P-416
Thermal Shock	-55°C + 125°C
Salt Spray After Thermal Shock	500 hour
Electrical Conductivity	Very Good
Abrasion Resistance	Very Good

See Page 13 for Panel Thickness and Cutout Dimensions