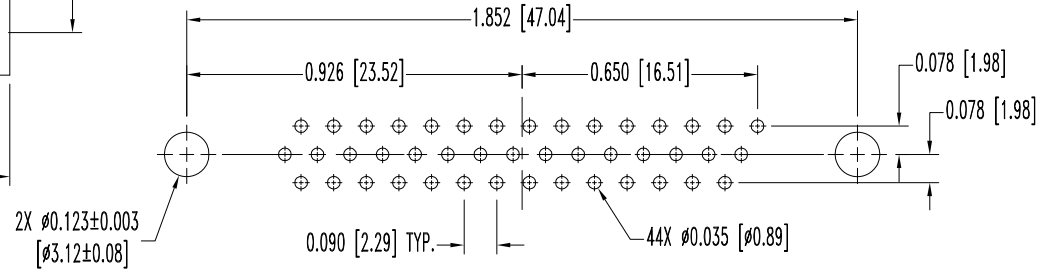
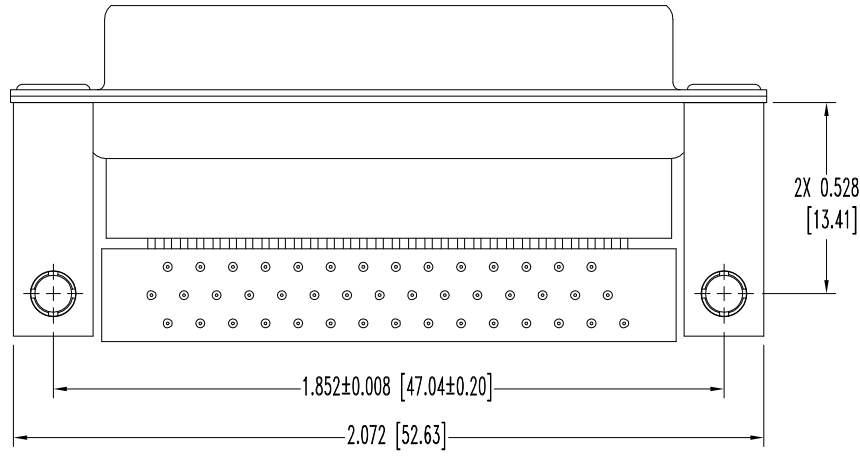
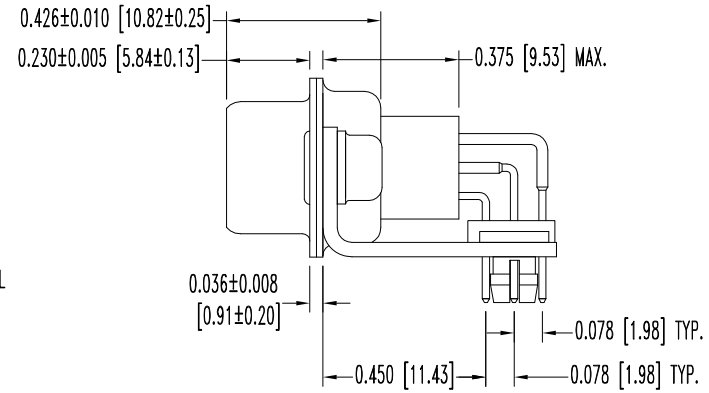
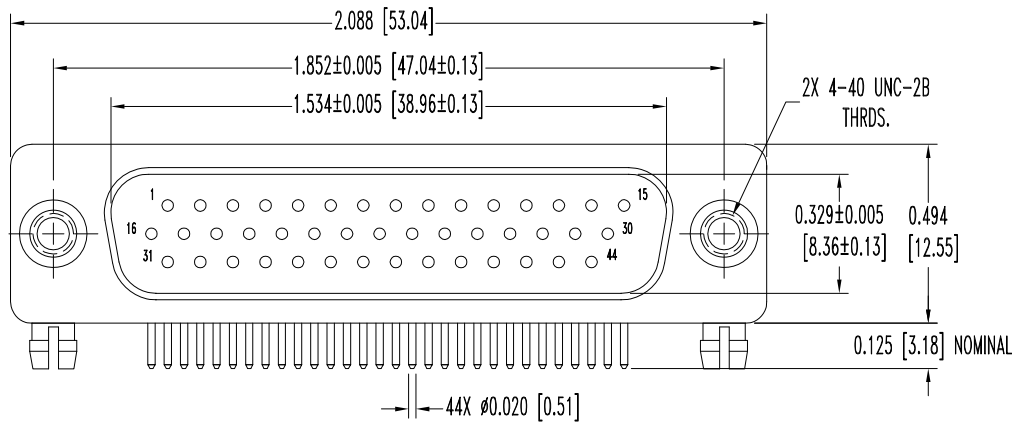


THIS DRAWING CONTAINS INFORMATION PROPRIETARY TO POSITRONIC AND ITS SUBSIDIARIES. POSITRONIC BELIEVES THE DATA ON THIS DRAWING TO BE RELIABLE. SINCE THE TECHNICAL INFORMATION IS GIVEN FREE OF CHARGE, THE USER EMPLOYS SUCH INFORMATION AT HIS OWN DISCRETION AND RISK. POSITRONIC ASSUMES NO RESPONSIBILITY FOR RESULTS OBTAINED OR DAMAGES INCURRED FROM USE OF SUCH INFORMATION IN WHOLE OR IN PART.

DATE	REV	REVISION RECORD	APP	DR	CK
3-17-08	NC	ECO 29134	RCW	YK	COLE
4-14-10	A	ECO 32359	COLE	ME	SY



NOTES:

- MATERIALS AND FINISHES:
 INSULATOR: GLASS FILLED POLYESTER PER ASTM D5927, UL 94V-0, BLUE COLOR.
 CONTACTS: PRECISION MACHINED HIGH TENSILE COPPER ALLOY, GOLD FLASH OVER NICKEL FINISH.
 SHELLS: STEEL, TIN PLATE.
 MOUNTING BRACKETS: BRASS, TIN PLATE.
 ALIGNMENT BAR: GLASS FILLED NYLON, COLOR BLACK.
 CLINCH NUT: BRASS, ZINC PLATE WITH CHROMATE SEAL.
 PUSH-ON FASTENERS: BERYLLIUM COPPER, TIN PLATE.
- DETAILED PRODUCT, ELECTRICAL, AND MECHANICAL INFORMATION IS AVAILABLE IN THE LATEST HIGH DENSITY D-SUB PRODUCT PUBLICATION. VISIT CONNECTPOSITRONIC.COM/PRODUCTS/59/HIGHDENSITYD-SUBMINIATURE OR CONNECTPOSITRONIC.COM.
- DIMENSIONS ARE IN INCHES [MILLIMETERS].

CONTACT HOLE PATTERN

	POSITRONIC INDUSTRIES INC. www.connectpositronic.com		FSCM 28198
	DD SERIES	SCALE N.T.S.	DRAWN BY YK
DECIMAL TOL. ± 0.015 [0.38]	TITLE DD44M4R8NOX		
ANGULAR TOL. ± 5°	DATE 3-17-08	DRAWING NUMBER SK9303	REV. A
		APPROVED BY R WILLIAMS	