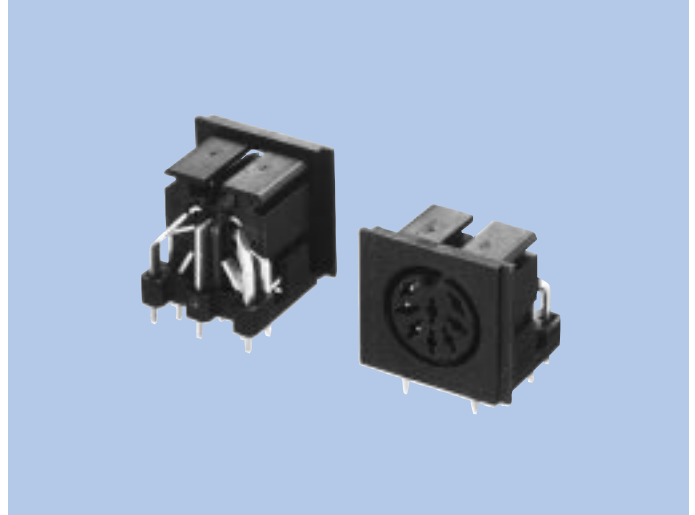


Circular DIN Connectors CSK-150 Series

FEATURES

1. These are "DIN" type circular connectors.
2. 150 Series is dip-solder socket. Front shield plate is available for EMI.



HOW TO ORDER

150-□□-30-□ 3 4
 1 2 3 4 5 6

- 1 Series No.
- 2 No. of contacts (04~08 : 4~8pins, 8I : 8pins (U type))
- 3 Housing material (30 : PBT resin)
- 4 Style
 - 1 : without shield, Type "A"
 - 2 : without shield, Type "B"
 - 5 : with shield (Tin Reflow plating), Type "A"
 - 7 : with shield (Gold plating), Type "A"
- 5 Contacts style (3 : Angle)
- 6 Contact finish (4 : Solder plating)

SPECIFICATIONS

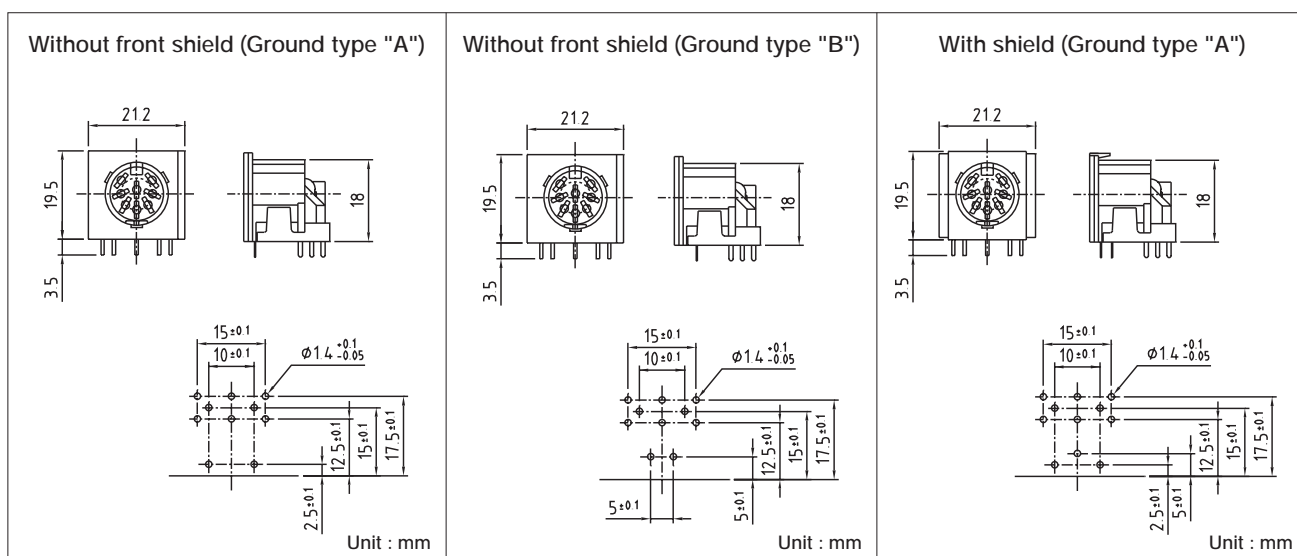
ELECTRICAL CHARACTERISTICS

Voltage Rating	250V AC (rms)
Current Rating	3A
Withstanding Voltage	1,000V AC (rms) 1minute
Insulation Resistance	500MΩ min. (at 500V DC)
Contact Resistance	30mΩ max.

MATERIAL & FINISH

Component Parts	Material	Finish
Housing	PBT resin	---
Contact	Copper Alloy	Solder Plating
Cover	PBT resin	---
Grounding plate	Phos. Bronze	Tin reflow plating
Shield plate	Phos. Bronze	Tin reflow plating/Gold flush plating

DIMENSIONS



Part No. & Mating Face

Mating Face & PCB Layout	No. of contacts	Grounding plate	Shield	Part No.
	4	A Type	with	150-04-30-534
			without	150-04-30-134
	5	A Type	with	150-05-30-534
			without	150-05-30-134
	6	A Type	with	150-06-30-534
			without	150-06-30-134
	7	A Type	with	150-07-30-534
			without	150-07-30-134
	8	A Type	with	150-08-30-534
			without	150-08-30-134
	8 (U type)	A Type	with	150-81-30-534
			without	150-81-30-134
		B Type	without	150-81-30-234