

**SPECIFICATIONS**

**SIM card Conn.**

**Mechanical**

**Normal Force:** 0.3N min  
**Durability:** 5000 Cycles

**Electrical**

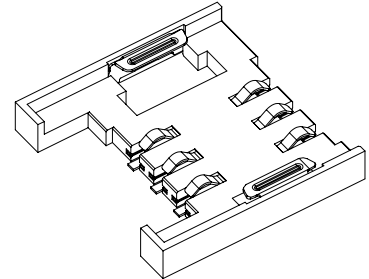
**Voltage Rating:** 15 V max  
**Current Rating:** 0.5 A max  
**Contact Resistance:** 100 mΩ max at 10mA.  
**Dielectric Withstanding Voltage:** 540V AC/1 min.  
**Insulation Resistance:** 1000 MΩ min (initial), 100 MΩ min (final),

**Physical**

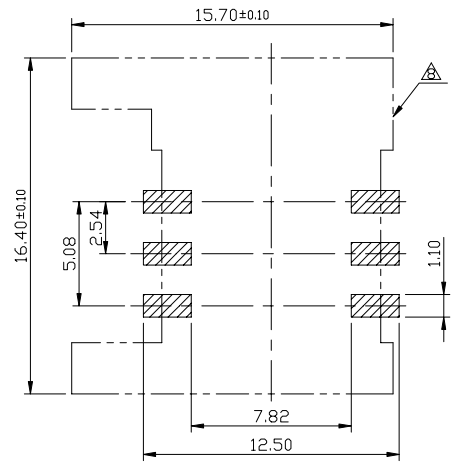
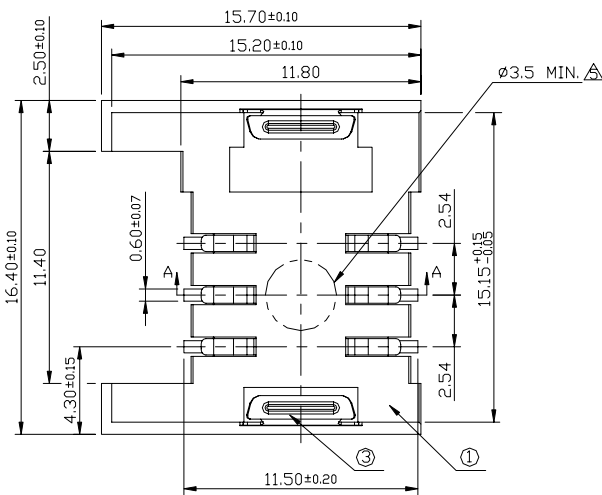
**Insert molding:** THERMOPLASTIC UL 94V-0, Color Black  
**Contact:** Copper Alloy  
**Hook:** Stainless Steel  
**Plating:** See "ORDERING INFORMATION"  
**Operating Temperature:** -30°C to +85°C

**WL Series**

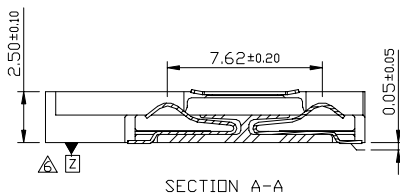
**SIM Card, SMT Type**  
**2.50mm [.098"] Height**  
**6 Pos.**



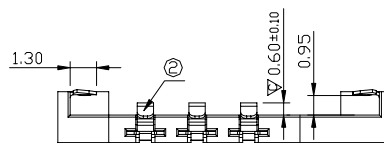
**DRAWING**



RECOMMENDED PCB LAYOUT  
TOP VIEW



SECTION A-A



**ORDERING INFORMATION**

**PRODUCT NO.:** WL 6 25 D 3- Z01 - TR

SIM Card Conn.

No. Contact  
6= 6 Pin  
8= 8 Pin

Body Height  
05= 2.5mm  
06= 2.6mm  
07= 0.7mm  
08= 2.8mm  
10= 1.0mm  
11= 1.1mm  
90= 9.0mm

Upper Cover Type

A= Upper Cover B= Slider In Type  
C= Hinge Type D= Metal Hook or Cover Type  
E= Metal Cover with Push-Push F= Pogo Pin Type  
G= Metal Cover with Inject&Door H= Compression Type

Contact Area Plating Thickness

1= Gold Flash A= 10u" Pd/Ni +Gold Plating  
2= 20u" Gold Plating B= 20u" Pd/Ni +Gold Plating  
3= 30u" Gold Plating C= 30u" Pd/Ni +Gold Plating  
6= 10u" Gold Plating D= 40u" Pd/Ni +Gold Plating  
7= 15u" Gold Plating L= 25u" Pd/Ni +Gold Plating

Package And Solder Tail Type

T = Tray  
TR= Tape & Reel  
1F= Tray (Lead Free)  
7F= Tape & Reel (Lead Free)

Modification Code

Code No.: 2 or 3 Code(A-Z or 0-9)