

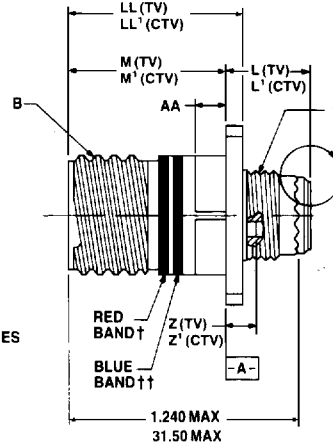
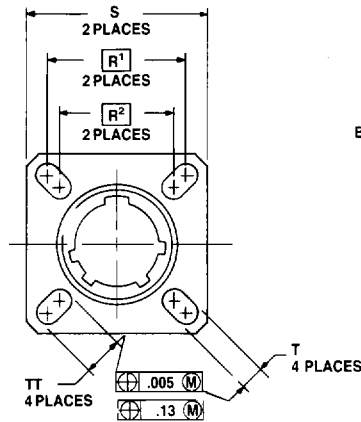
# TVP00R (D38999/20)\* – crimp, metal

# CTVP00R (D38999/20)\*\* – crimp, composite wall mounting receptacle

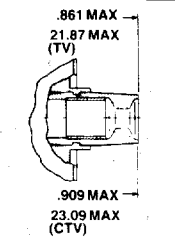
TVP00RW-XX-XXX  
 TVPS00RK-XX-XXX  
 TVPS00RF-XX-XXX  
 TVPS00RS-XX-XXX

CTVP00RW-XX-XX  
 CTVP00RF-XX-XXX

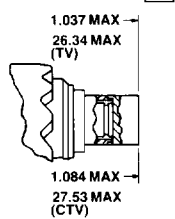
D38999/20



VIEW D FOR SIZE 8 COAXIAL ONLY, RELATIVE TO -A-



VIEW D FOR SIZE 8 TWINAX ONLY, RELATIVE TO -A-



† Red band indicates fully mated

†† Blue band indicates rear release contact retention system

\* To complete order number for TV metal connectors, see pages 32 and 33.

\*\* To complete order number for CTV composite connectors, see pages 34 and 35.

																	Inches
Shell Size	MS Shell Size Code	B Thread Class 2A 0.1P-0.3L-TS (Plated)	L Max (TV)	L' Max (CTV)	M +.000 - .005 (TV)	M' +.000 - .005 (CTV)	R <sup>1</sup>	R <sup>2</sup>	S Max	T +.008 - .006	Z Max (TV)	Z' Max (CTV)	AA Max Panel Thickness	LL +.006 - .000 (TV)	LL' ±.005 (CTV)	TT +.008 - .006	
9	A	.6250	.469	.514	.820	.775	.719	.594	.948	.128	.153	.198	.234	.905	.913	.216	
11	B	.7500	.469	.514	.820	.775	.812	.719	1.043	.128	.153	.198	.234	.905	.913	.194	
13	C	.8750	.469	.514	.820	.775	.906	.812	1.137	.128	.153	.198	.234	.905	.913	.194	
15	D	1.0000	.469	.514	.820	.775	.969	.906	1.232	.128	.153	.198	.234	.905	.913	.173	
17	E	1.1875	.469	.514	.820	.775	1.062	.969	1.323	.128	.153	.198	.234	.905	.913	.194	
19	F	1.2500	.469	.514	.820	.775	1.156	1.062	1.449	.128	.153	.198	.234	.905	.913	.194	
21	G	1.3750	.500	.545	.790	.745	1.250	1.156	1.575	.128	.183	.228	.204	.905	.911	.194	
23	H	1.5000	.500	.545	.790	.745	1.375	1.250	1.701	.154	.183	.228	.204	.905	.911	.242	
25	J	1.6250	.500	.545	.790	.745	1.500	1.375	1.823	.154	.183	.228	.204	.905	.911	.242	

																	Millimeters
Shell Size	MS Shell Size Code	L Max (TV)	L' Max (CTV)	M +.00 - .13 (TV)	M' +.00 - .13 (CTV)	R <sup>1</sup>	R <sup>2</sup>	S Max	T +.20 - .13	V Thread Metric	Z Max (TV)	Z' Max (CTV)	AA Max	LL +.15 - .00 (TV)	LL' ±.13 (CTV)	TT +.20 - .13	
9	A	11.91	13.06	20.83	19.69	18.26	15.09	24.1	3.25	M12X1-6g	3.89	5.03	5.94	22.99	23.19	5.49	
11	B	11.91	13.06	20.83	19.69	20.62	18.26	26.5	3.25	M15X1-6g	3.89	5.03	5.94	22.99	23.19	4.93	
13	C	11.91	13.06	20.83	19.69	23.01	20.62	28.9	3.25	M18X1-6g	3.89	5.03	5.94	22.99	23.19	4.93	
15	D	11.91	13.06	20.83	19.69	24.61	23.01	31.3	3.25	M22X1-6g	3.89	5.03	5.94	22.99	23.19	4.39	
17	E	11.91	13.06	20.83	19.69	26.97	24.61	33.7	3.25	M25X1-6g	3.89	5.03	5.94	22.99	23.19	4.93	
19	F	11.91	13.06	20.83	19.69	29.36	26.97	36.9	3.25	M28X1-6g	3.89	5.03	5.94	22.99	23.19	4.93	
21	G	12.70	13.84	20.07	18.92	31.75	29.36	40.1	3.25	M31X1-6g	4.65	5.79	5.18	22.99	23.14	4.93	
23	H	12.70	13.84	20.07	18.92	34.93	31.75	43.3	3.91	M34X1-6g	4.65	5.79	5.18	22.99	23.14	6.15	
25	J	12.70	13.84	20.07	18.92	38.10	34.93	46.4	3.91	M37X1-6g	4.65	5.79	5.18	22.99	23.14	6.15	

All dimensions for reference only.

Designates true position dimensioning