

**SMU-2PH1 Series**  
**MU VERTICAL DUPLEX**  
**Housing for  $\Phi 0.9\text{mm}$**

**TECHNICAL SPECIFICATIONS**

**Seiko Instruments Inc.**

Network Components Business

8, Nakase 1-Chome

Mihama-ku, Chiba-shi, Chiba-ken

261-8507 JAPAN

Telephone: +81-43-211-1211

Facsimile: +81-43-211-8039

SMU-2PH1 Series MU VERTICAL DUPLEX HOUSING for o 0.9mm  
TECHNICAL SPECIFICATIONS

Document Number [ACS-21B1-01](#)

[ACS-21B1-01](#)      [January 2002](#)

Copyright 2002 by **Seiko Instruments Inc.**  
All right reserved.

The information contained herein shall not be reproduced or disclosed to any third party without the express written consent of **SII**.

The Specifications contained herein are subject to change without notice.

**SII** is a trademark of Seiko Instruments Inc.

Please address any questions, comments, and suggestions to:

**Seiko Instruments USA Inc.**

Electronics Components Division  
2990 West Lomita Boulevard  
Torrance, CA 90505, U.S.A.  
Phone:            +1-310-517-7780  
Facsimile:       +1-310-517-7792

**Seiko Instruments (H.K.) Ltd.**

Sales Department  
4th & 5th Floor, Wyler Center 2  
200 Tai Lin Pai Road, Kwai Chung  
N.T., Kowloon, Hong Kong  
Phone:            +852-2421-8611  
Facsimile:       +852-2480-5479

**Seiko Instruments Singapore pte. Ltd.**

Component Sales Department  
2, Marsiling Lane,  
Singapore, 739144, Singapore  
Phone:            +65-269-1370  
Facsimile:       +65-269-9729

**Seiko Instruments GmbH**

OFC Division  
Siemensstraße 9b  
D-63263 Neu-Isenburg, Germany  
Phone:            +49-6102-297-0  
Facsimile:       +49-6102-297-211

**Seiko Instruments Taiwan Inc.**

Sales Department  
4F, No.40, Sec. 2, Min Chuan E. Rd.,  
Taipei 104, Taiwan, R.O.C.  
Phone:            +886-2-2563-5001  
Facsimile:       +886-2-2521-9519

## TABLE OF CONTENTS

Section	Page
1. PROVISION	1
1.1 Application limit	1
2. PARTS NUMBER	1
3. GENERAL SPECIFICATIONS	2
3.1 Parts and Materials	2
3.2 Physical Dimensions	2
3.3 General Tolerances	2
4. PACKING	2
5. SHIPPING INSPECTION	2

### Table

Table 1	Parts Number	1
Table 2	Parts and Materials	2
Table 3	General Tolerance	2

### Figure

Figure 1	SMU-2PH1 Housing	3
Figure 2	© Cap	4



1. PROVISION

1.1 Application Limit

These specifications apply to the SMU-2PH1 MU vertical duplex Housing supplied by SII.

2. PARTS NUMBER

Parts number of the adaptor is shown in Table 1.

Table 1 Parts Number

MODEL Number	TYPE Number
<b>SMU-2PH1</b>	<b>6 0 3 B</b>

### 3. GENERAL SPECIFICATIONS

#### 3.1 Parts and Materials

Parts and the materials are shown in Table 2.

Table 2 Parts and Materials

No.	Part Name	Qty	Material	Notes
①	Grip	1	PBT GF	Brown, UL94V-0
②	Plug frame	2	PBT GF	White,UL94V-0
③	Spring	2	Stainless Steel	-----
④	Stop ring	2	Brass	Nickel plating
⑤	Hood	2	TPE	Blue,UL94V-0
⑥	Cap	2	PP	White, UL94HB

#### 3.2 Physical Dimensions

Figure 1 shows the SMU-2PH1 Housing.

Figure 2 shows the part dimensions.

In accordance with IEC 61754-6 Fibre optic connector interfaces -  
Part 6: Type MU connector family

In accordance with JIS C 5983 F14 Type connectors for fiber cables

#### 3.3 General Tolerances

Permissible deviation in dimensions without tolerance indication is in accordance with JIS B 0405 class m, as shown in Table 3.

Table 3 General tolerance (JIS B 0405 class m)

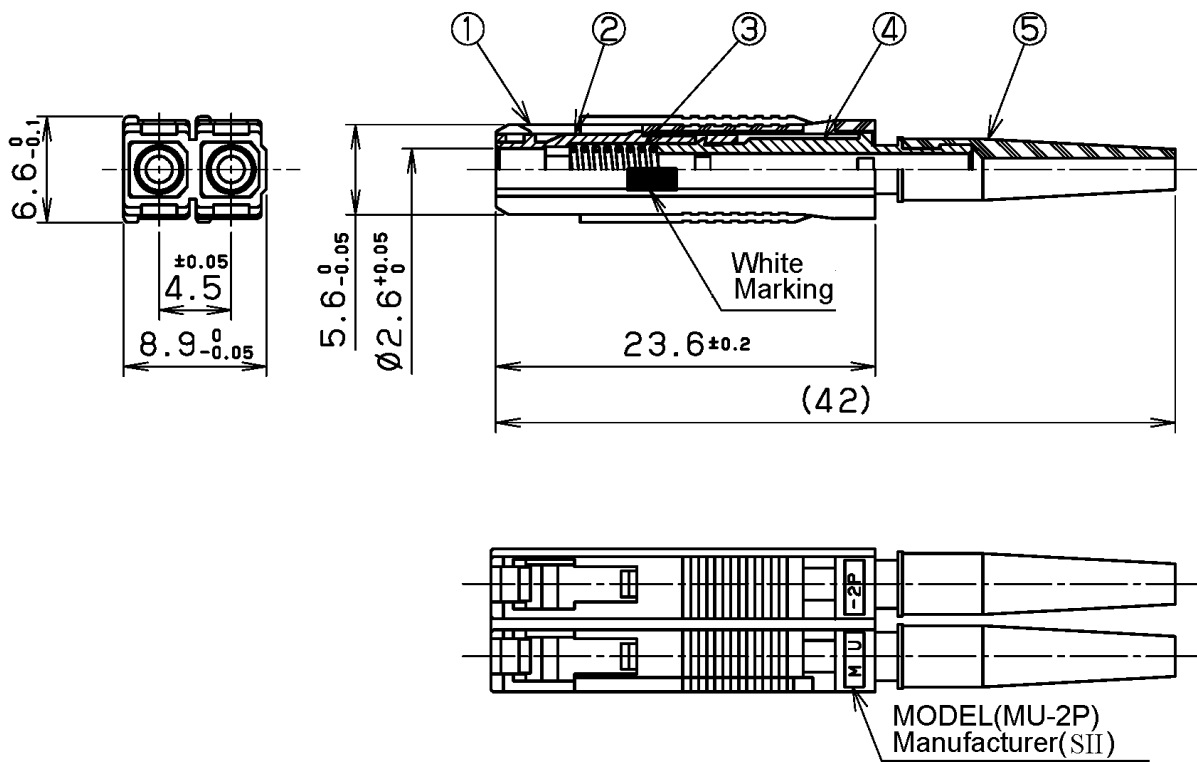
Basic size step [mm]		Permissible deviation [mm]
Over	Under	
0.5	3	±0.1
3	6	±0.1
6	30	±0.2
30	120	±0.3

### 4. PACKING

The product is packed to prevent damage during shipment.

### 5. SHIPPING INSPECTION

Insertion loss of the adaptor is inspected before shipping.



Unit: mm

Figure 1 SMU-2PH1 Housing

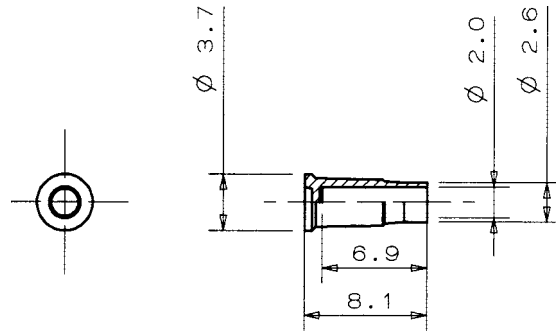


Figure 2 ⑥ Cap

Unit: mm