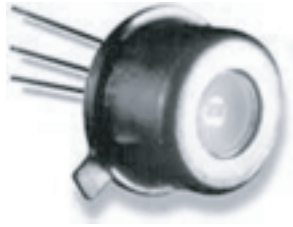


All Purpose InGaAs p-i-n Photodiode

Sheet 1 of 3

35PD300-T0

The 35PD300-T0, an InGaAs photodiode with a 300 μ m-diameter photosensitive region packaged in a TO-46 header. This device is one of Telcom Devices' most versatile optoelectronic components, with applications in high sensitivity instrumentation, laser back-facet monitoring, and moderate-bit-rate telecomm and datacomm transmission.. Planar semiconductor design and dielectric passivation provide superior noise performance. Reliability is assured by hermetic sealing and 100% purge burn-in (200°C, 15 hours, Vr = 20V). Headers are available with either a lensed or flat window cap. Chips can also be attached and wire bonded to customer-supplied or other specified packages.



Features:

- Planar Structure
- Dielectric Passivation
- 100% Purge Burn-in
- High Responsivity

DEVICE CHARACTERISTICS

Parameters	Test Conditions	Minimum	Typical	Maximum	Units
Operating Voltage				-15	Volts
Dark Current	-5V			10	nA
Capacitance	-5V		4		pF
Responsivity	1300nm	0.75	0.9		A/W
Responsivity	1500nm		1		ns
Rise/Fall				3	

ABSOLUTE MAXIMUM RATINGS

Reverse Voltage	20 Volts
Forward Current	25mA
Reverse Current	5mA
Operating Temperature	-40°C to +85°C
Storage Temperature	-40°C to +85°C
Soldering Temperature	250°C

Sheet 1 of 3

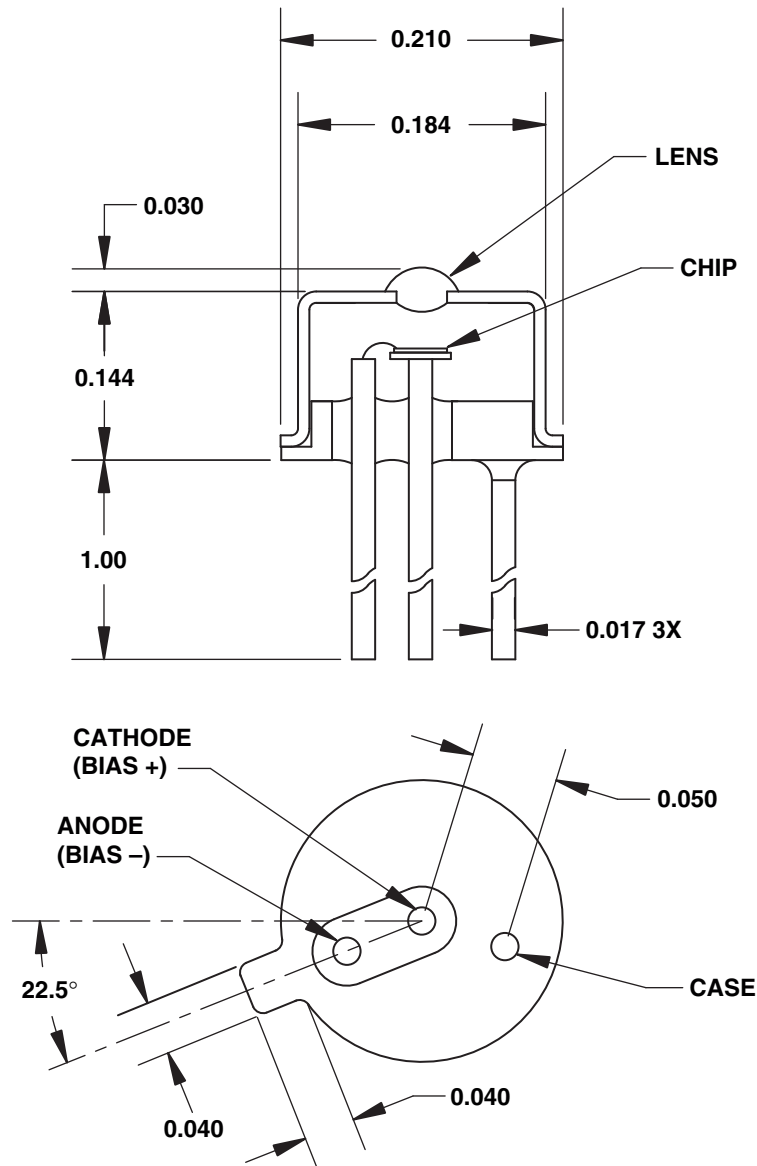
829 Flynn Road, Camarillo, CA 93012 • Phone: (805) 445-4500 • Fax: (805) 445-4502
Email: customerservice@telcomdevices.com • Website: www.telcomdevices.com



Mechanical Specifications TO-46 Header Packages

Sheet 2 of 3

Standard TO-46 Lens



Custom packaging is also available.

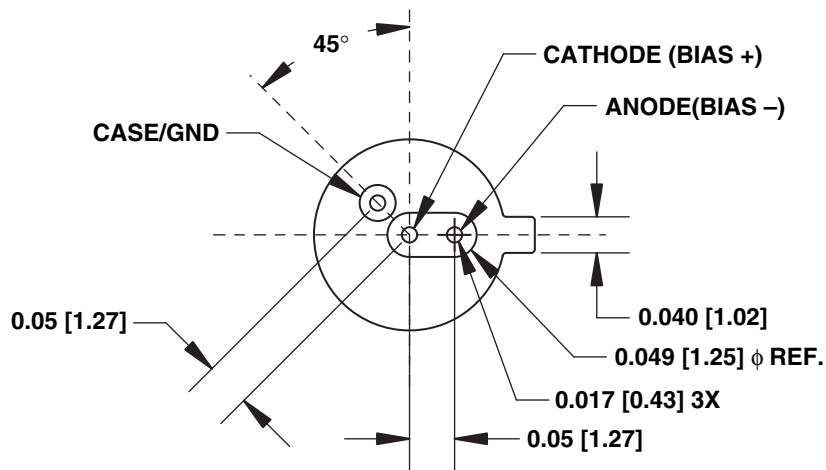
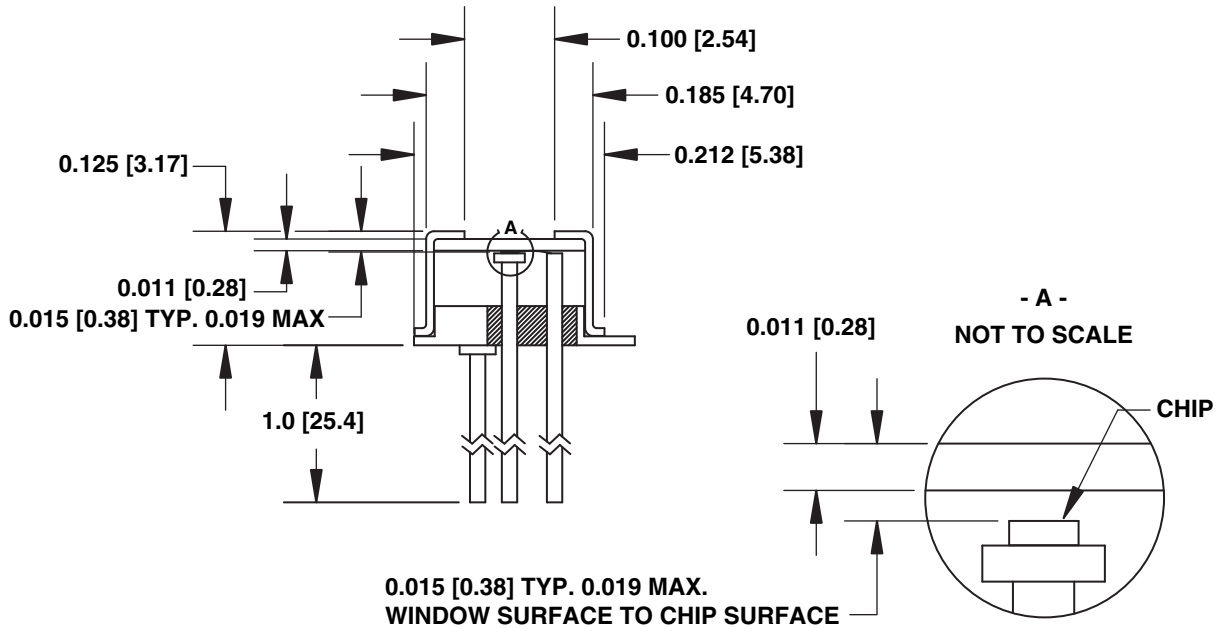
Sheet 2 of 3

829 Flynn Road, Camarillo, CA 93012 • Phone: (805) 445-4500 • Fax: (805) 445-4502
Email: customerservice@telcomdevices.com • Website: www.telcomdevices.com



Mechanical Specifications TO-46 Header Packages

TO-46 Ultra Flat Window



Custom packaging is also available.