

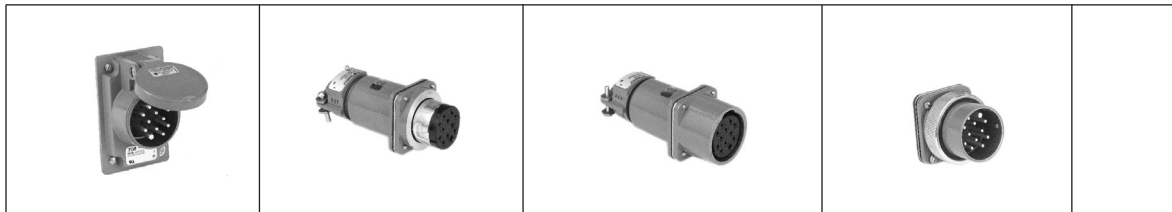
### Ordering Information

Outdoor, NEMA 4 (with screw cap)

20 Amp Load Breaking

600 Volts AC Max

250 Volts DC



Poles/ Wires	Female Receptacle Style SKWR	Male Plug Style SKWP	Female Connector Style SKWC	Male Motor Plug Style SKWM	Cable Bushing Hole ID
2P3W	SKWR3G	SKWP3G	SKWC3G	SKWM3G	5/8"
3P4W	SKWR4G	SKWP4G	SKWC4G	SKWM4G	5/8"
4P5W	SKWR5G	SKWP5G	SKWC5G	SKWM5G	3/4"
5P6W	SKWR6G	SKWP6G	SKWC6G	SKWM6G	3/4"
6P7W	SKWR7G	SKWP7G	SKWC7G	SKWM7G	3/4"
7P8W	SKWR8G	SKWP8G	SKWC8G	SKWM8G	7/8"
8P9W	SKWR9G	SKWP9G	SKWC9G	SKWM9G	7/8"
9P10W	SKWR10G	SKWP10G	SKWC10G	SKWM10G	1"
10P11W	SKWR11G	SKWP11G	SKWC11G	SKWM11G	1"
11P12W	SKWR12XG	SKWP12XG	SKWC12XG	SKWM12XG	1 1/8"

**Note:**  
 \* SKWM Male Inlet accommodates SKWC Connector (Female) Plugs and connectors can be furnished with adapters to accommodate rigid conduit or standard connectors for armored and non-metallic cable or flexible conduit. See page 121.

### Specifications

**Receptacle Housing** – Type SKWR – Cast aluminum, corrosion-resistant copper free alloy. Furnished with neoprene gasket and stainless steel 6-32 mounting screws.

**Plug & Connector Housing** – Heavy cast aluminum, corrosion-resistant copper-free alloy, epoxy powder coat finish. Furnished with heavy cast cable clamp and cable bushing.

**Conduit Boxes** – cast boxes for above receptacles are on page 100. Can be furnished with single gang outlet box at additional cost. When so required, suffix catalog number of box to catalog number of receptacle.

**Cable Bushing** – oil resistant, neoprene strain relief cable bushing regularly furnished with hole size as listed. Other hole sizes available at no extra cost if specified on order. See page 103 for additional sizes.

**Protective Caps** – Waterproof caps complete with mounting cable.

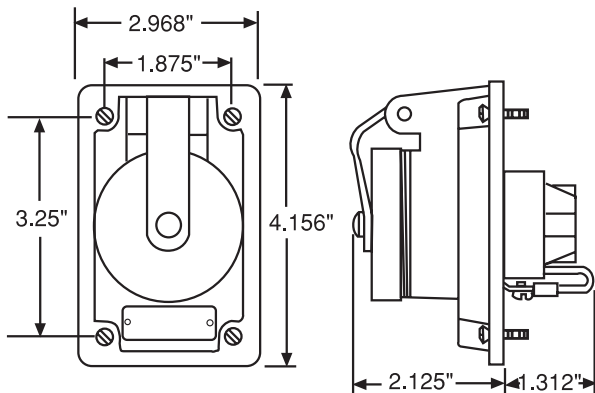
Male Devices Cat. No. F26874C (Cup Cap)  
 Female Devices Cat. No. F04077 (Screw Cap)

**Repair Kits** – Pins/Sleeves Repair – components for rebuild of 2-4 interiors

Male Devices Cat. No. SKX12MW  
 Female Devices Cat. No. SKX12FA

### Receptacle

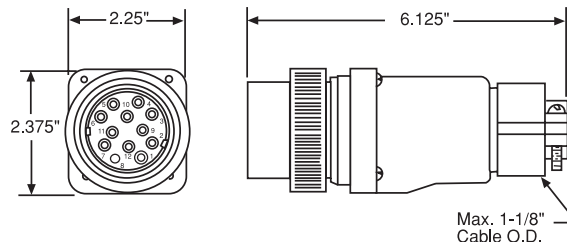
Style SKWR



Note: All require FD or DSFD series box mounting.

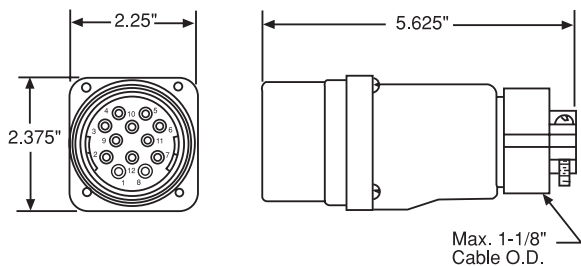
### Plug

Style SKWP



### Connector

Style SKWC



### Motor Plug

Style SKWM

