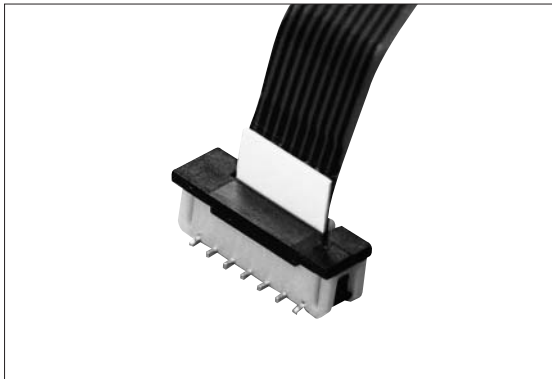


FPC Connectors

FP-5V Series 0.5mm Pitch, Vertical Type (SMT)



Features

1. Low profile of 3.1mm (5 to 36pins) and 3.5mm (37 to 40pins) height when mounted.
2. Supplied in the embossed taping with automatic moulder, with a sucking space provided (without sucking tape).
3. Our structure to hold the FPC temporary, provides easy operability.
4. Using the ZIF structure.

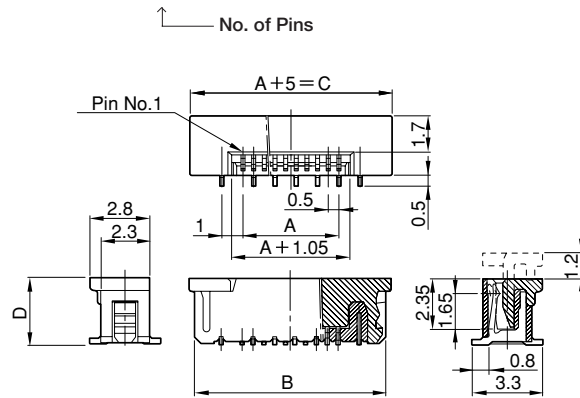
Specification

1. Rating : 0.3A, 50V AC/DC
2. Contact Resistance : 30mΩ max., initially
3. Insulation Resistance : 100MΩ min. at 100V DC
4. Withstanding Voltage : 100V AC (for one minute)
5. Operating Temperature Range : -40°C to +85°C

Material and Plating

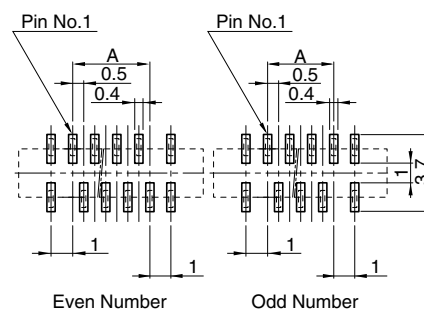
- Housing : Thermoplastic Resin, Natural Color, 94V-0
- Cover : Thermoplastic Resin, Black, 94V-0
- Contact : Cu Alloy, Au Plating

● CFP56□□-0150F

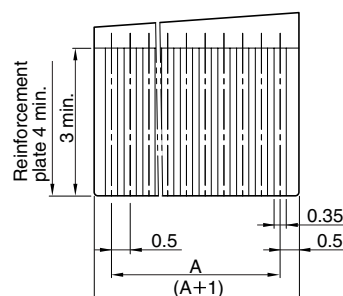


□□ No. of Pins	A	B	C	D	□□ No. of Pins	A	B	C	D
05	2.0	6.5	7.0	3.1	23	11.0	15.5	16.0	3.1
06	2.5	7.0	7.5		24	11.5	16.0	16.5	
07	3.0	7.5	8.0		25	12.0	16.5	17.0	
08	3.5	8.0	8.5		26	12.5	17.0	17.5	
09	4.0	8.5	9.0		27	13.0	17.5	18.0	
10	4.5	9.0	9.5		28	13.5	18.0	18.5	
11	5.0	9.5	10.0		29	14.0	18.5	19.0	
12	5.5	10.0	10.5		30	14.5	19.0	19.5	
13	6.0	10.5	11.0		31	15.0	19.5	20.0	
14	6.5	11.0	11.5		32	15.5	20.0	20.5	
15	7.0	11.5	12.0		33	16.0	20.5	21.0	
16	7.5	12.0	12.5		34	16.5	21.0	21.5	
17	8.0	12.5	13.0		35	17.0	21.5	22.0	
18	8.5	13.0	13.5		36	17.5	22.0	22.5	
19	9.0	13.5	14.0		37	18.0	22.5	23.0	
20	9.5	14.0	14.5		38	18.5	23.0	23.5	
21	10.0	14.5	15.0		39	19.0	23.5	24.0	
22	10.5	15.0	15.5		40	19.5	24.0	24.5	

■ P.C. Board Dimension



■ Applicable FPC Dimension (t=0.3±0.05)



- FPC plating to recommend : Au Plating