

# D-Subminiature Right Angle .590" (15.00) Mount M22 Series



## PART NUMBER LEGEND

**M22X - XXX - XXX - XX**

### MATING FACE MOUNTING OPTIONS

- 3 = #4-40 fixed jack screws
- 4 = #4-40 flush threaded inserts
- 5 = #4-40 flush threaded inserts with removable jack screws installed
- 6 = .120" non-threaded mounting holes

### BOARD MOUNTING OPTIONS

- 7 = Wrap around ground straps with screw holes on half flange
- 5 = Wrap around ground straps with screw holes on full flange
- 8 = Top side only ground straps with screw holes on half flange
- 6 = Top side only ground straps with screw holes on full flange
- 0 = Forked boardlocks on half flange
- 9 = Forked boardlocks on full flange

### TAIL

- 02 = Solder Tail

### PROFILE/FILTERING

- 2 = .590"
- 3 = .590" EMI

### NUMBER OF POSITIONS

- 09, 15, 25, 37

### CONTACT TYPE

- P = Plug
- S = Socket

### PLATING

- S = 5 µin. Gold Nominal
- 8 = 30 µin. Select Gold Nominal

## SPECIFICATIONS:

### Material:

Shell: Steel, tin-plated  
 Insulator: Polybutylene Terephthalate (PBT), glass reinforced thermoplastic, rated UL 94V-0  
 Insulator color: Black  
 Contacts: Plug - Brass; Socket - Phosphor Bronze  
 Ground Strap or Boardlocks: Brass, tin-plated  
 Rivet insert: Brass, nickel-plated

### Plating:

Per MIL-G-45204, Type II, Grade C on contact area over 50 µin nominal nickel underplate to QQ-N-290, Class 2, Grade C, gold flash on tails

### Electrical:

Operation voltage: 250 VDC max  
 Current rating: 3 Amps max  
 Contact resistance: 20 mΩ max  
 Insulation resistance: 3000 MΩ min @ 500 VDC between adjacent contacts  
 Dielectric withstanding voltage: 1000 VAC RMS (sea level)  
 Capacitance: 2 pF max between adjacent contacts

### Environmental:

Operating temperature: -55°C to +105°C

## MATING OPTIONS:

Mates with Methode D-Sub Series M21 and M23 and all other industry standard D-Subminiature connectors.

## ACCESSORIES:

Dustcovers, hardware

## PACKAGING:

Anti-static plastic trays available

## APPROVALS AND CERTIFICATIONS:

Select parts recognized under the component program of Underwriters Laboratories, Inc. No. E167232  
 Certified by Canadian Standards Association No. LR75112



### North and South America:

**Methode Electronics, Inc. Connector Products**  
 1700 Hicks Road • Rolling Meadows, IL 60008 USA  
 847-392-3500 • Toll Free: 800-323-6864 • Fax: 847-392-9404  
 Email: info@methode.com • Web: www.methode.com/connector/index.html

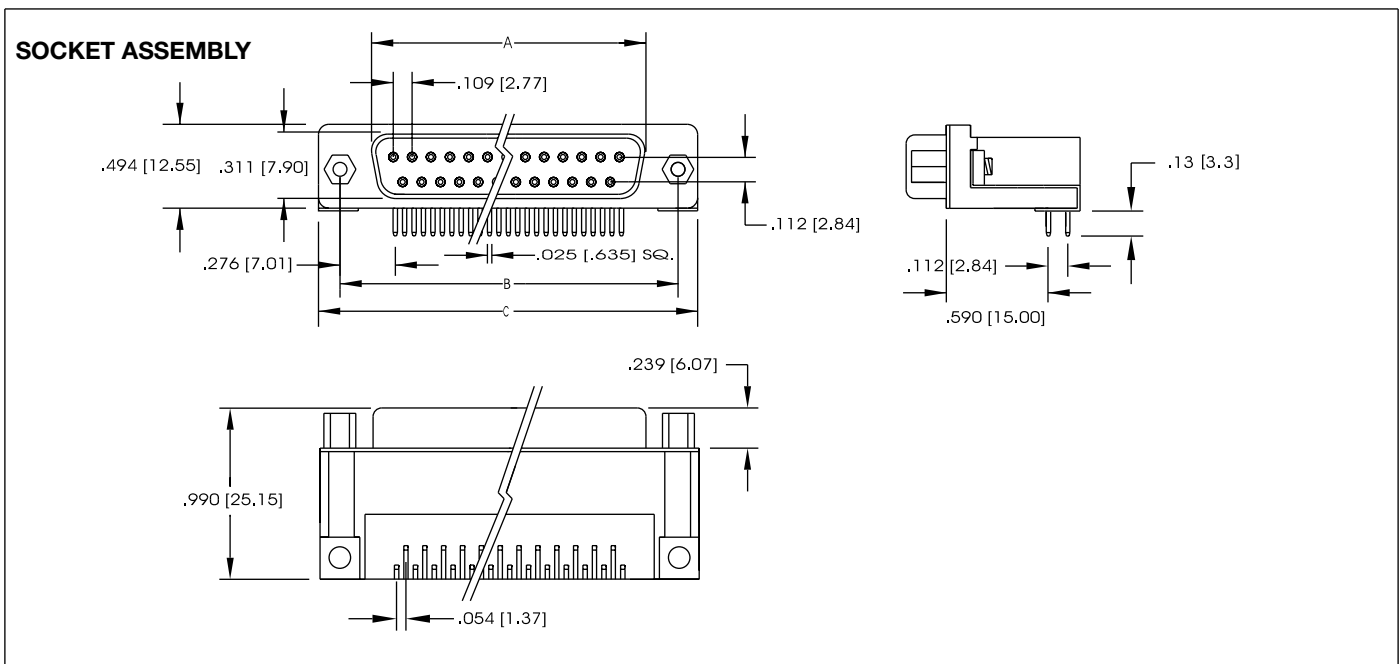
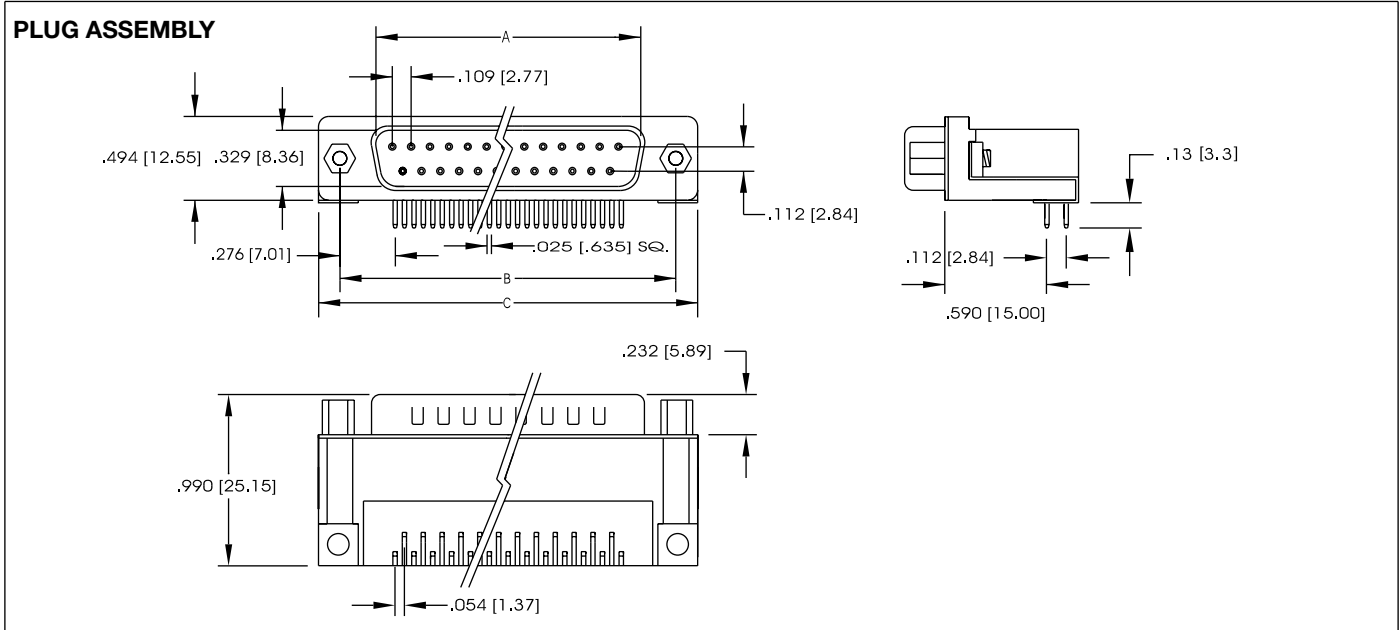
### Europe:

**Methode Electronics Ireland, Ltd.**  
 Unit H, Crossagalla Business Park, Ballysimon Rd. • Limerick, Ireland  
 +353 (0) 61 401222 • Fax: +353 (0) 61 401942  
 Email: info@methode.ie • Web: ireland.methode.com/main.html

### Far East:

**Methode Electronics Far East, Pte. Ltd.**  
 1 Tuas Lane, Jurong Town • Singapore 638610  
 65-68615444 • Fax: 65-68614777  
 Email: sales@methode.com.sg • Web: www.methode.com/mefe/index.html

# D-Subminiature Right Angle .590" (15.00) Mount M22 Series



Unit: Inch / mm

Dimensional: Socket Assembly				Dimensional: Plug Assembly			
CONTACTS	A	B	C	CONTACTS	A	B	C
9	.643 (16.33)	.984 (24.99)	1.213 (30.81)	9	.666 (16.92)	.984 (24.99)	1.213 (30.81)
15	.971 (24.66)	1.312 (33.32)	1.541 (39.14)	15	.994 (25.25)	1.312 (33.32)	1.541 (39.14)
25	1.511 (38.38)	1.852 (47.04)	2.088 (53.04)	25	1.534 (38.96)	1.852 (47.04)	2.088 (53.04)
37	2.159 (54.84)	2.500 (63.50)	2.729 (69.32)	37	2.182 (55.42)	2.500 (63.50)	2.729 (69.32)



North and South America:  
**Methode Electronics, Inc. Connector Products**  
 1700 Hicks Road • Rolling Meadows, IL 60008 USA  
 847-392-3500 • Toll Free: 800-323-6864 • Fax: 847-392-9404  
 Email: info@methode.com • Web: www.methode.com/connector/index.html

Europe:  
**Methode Electronics Ireland, Ltd.**  
 Unit H, Crossagalla Business Park, Ballysimon Rd. • Limerick, Ireland  
 +353 (0) 61 401222 • Fax: +353 (0) 61 401942  
 Email: info@methode.ie • Web: ireland.methode.com/main.html

Far East:  
**Methode Electronics Far East, Pte. Ltd.**  
 1 Tuas Lane, Jurong Town • Singapore 638610  
 65-68615444 • Fax: 65-68614777  
 Email: sales@methode.com.sg • Web: www.methode.com/mefe/index.html

# D-Subminiature Right Angle .590" (15.00) Mount M22 Series

