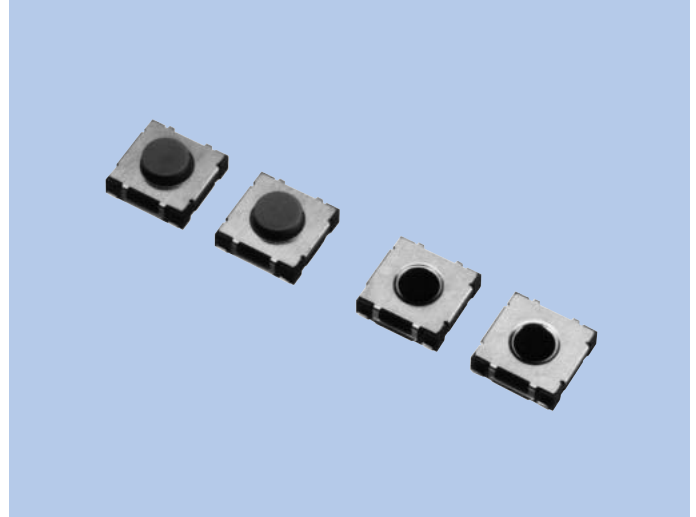


With Button Tactile Switches SON Series

FEATURES

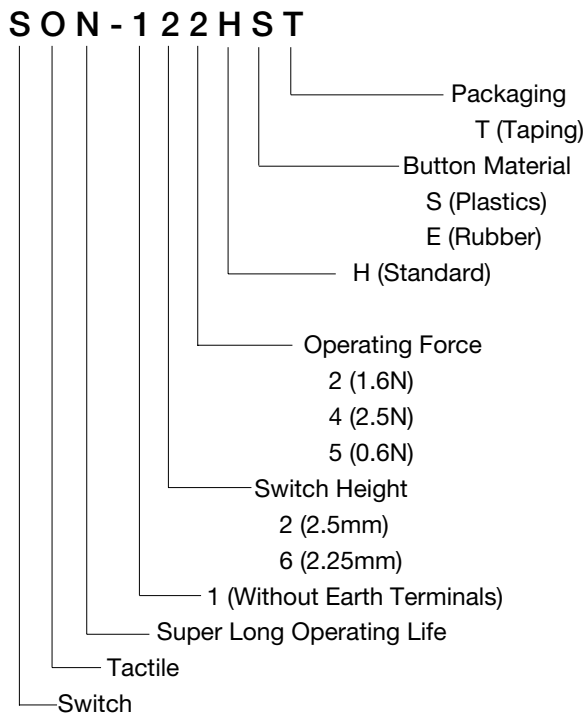
1. Minimized mounting area.
2. Long lifetime (10,000,000 presses: SOT-165HET) achieved via a combination of stainless metal dome and rubber.
3. Suitable for SMT reflow soldering.



APPLICATIONS

1. For Audios, TVs, DVD/Blu-ray Disc Players, Mice, Game equipments, Car electric equipments, etc.

MODEL NAME CODE



SPECIFICATIONS

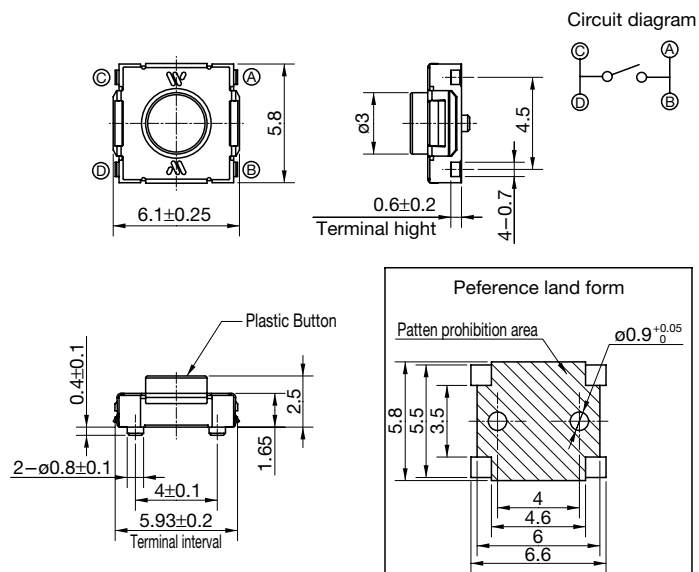
Electrical Characteristics	Rating	20mA, 12V DC (Resistance load)
	Contact Resistance	200mΩ or less
	Insulation Resistance	50MΩ or more
	Withstand Voltage	1 minute at 100V AC

TYPE

Model Name Code	Order Number	Operating Force	Travel (mm)	Life (cycles)	Pcs
SON-122HST	R66 6970	1.6N	0.2	1,000,000	2,500
SON-124HST	R66 7023	2.5N	0.2	100,000	2,500
SON-165HET	R66 7026	0.6N	0.4	10,000,000	2,500

DIMENSIONS

SON-122HST
SON-124HST



SON-165HET

