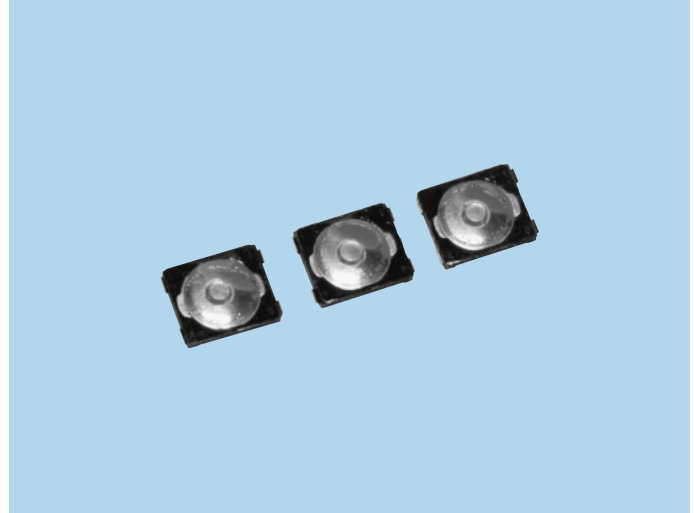


# Ultra-Small Type Tactile Switches SOM Series

## FEATURES

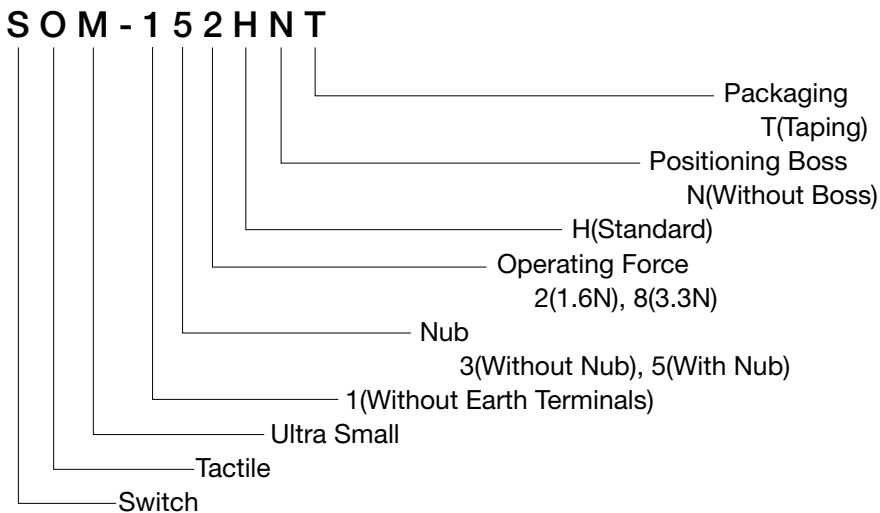
1. Ultra-small tactile switch with Nub and surface area reduced by 60% in comparison with previous model.
2. Coplanarity of 0.1mm max. guaranteed.
3. Stainless steel metal dome realizes superior feeling.
4. Suitable for SMT reflow soldering.



## APPLICATIONS

For any portable devices, mobile phones, DSCs, portable music players, etc.

## MODEL NAME CODE



## SPECIFICATIONS

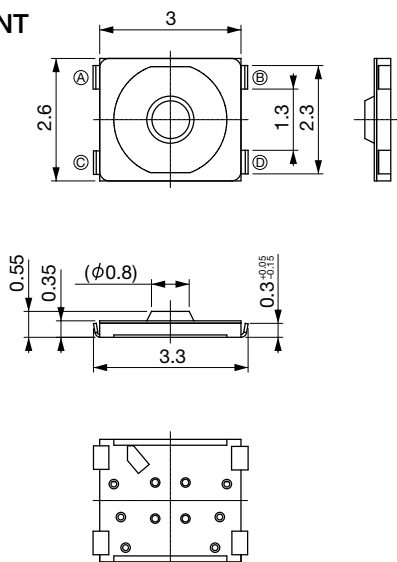
Electrical Characteristics	Rating	DC15V, 20mA (Resistance load)
	Contact Resistance	500mΩ or less
	Insulation Resistance	50MΩ or more
	Withstand Voltage	1 minute at 100V AC

## TYPE

Model Name Code	R Number	Dimensions/Height	Features	Operating Force	Life	Pcs/Reel
SOM-152HNT	R66 7132	3.0x2.6 h=0.55	With Nub	1.6N	100,000	10,000
SOM-132HNT	R66 7133	3.0x2.6 h=0.35	Without Nub	1.6N	100,000	10,000
SOM-158HNT	R66 7134	3.0x2.6 h=0.60	With Nub, Double Spring	3.3N	100,000	10,000

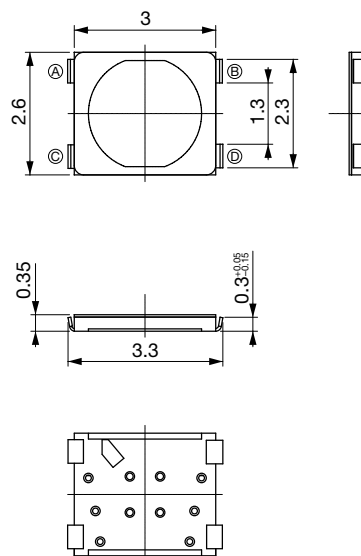
## DIMENSIONS

SOM-152HNT



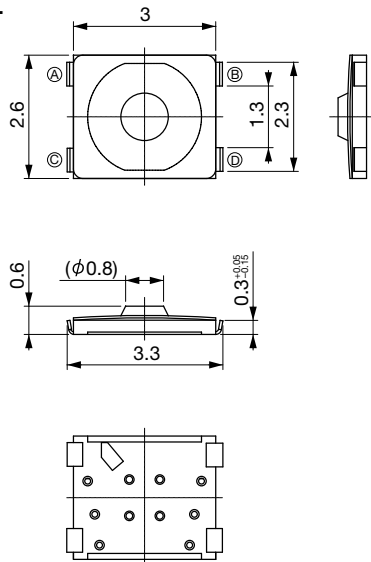
Unit:mm

SOM-132HNT



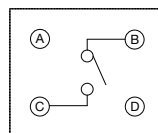
Unit:mm

SOM-158HNT



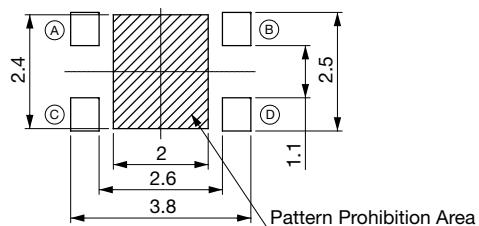
Unit:mm

Circuit Diagram



There is no connection between A and B, nor between C and D in the switch.

Reference Land Dimensions (TOLERANCE ±0.05)



Connect the board pattern to lands B and C and not to lands A and D.