

Right-angle through hole type modular jack for PCB MOD-J6()DA()B+

Modular connector
For PCB
Right-angle Through hole
FCC Standard

RoHS

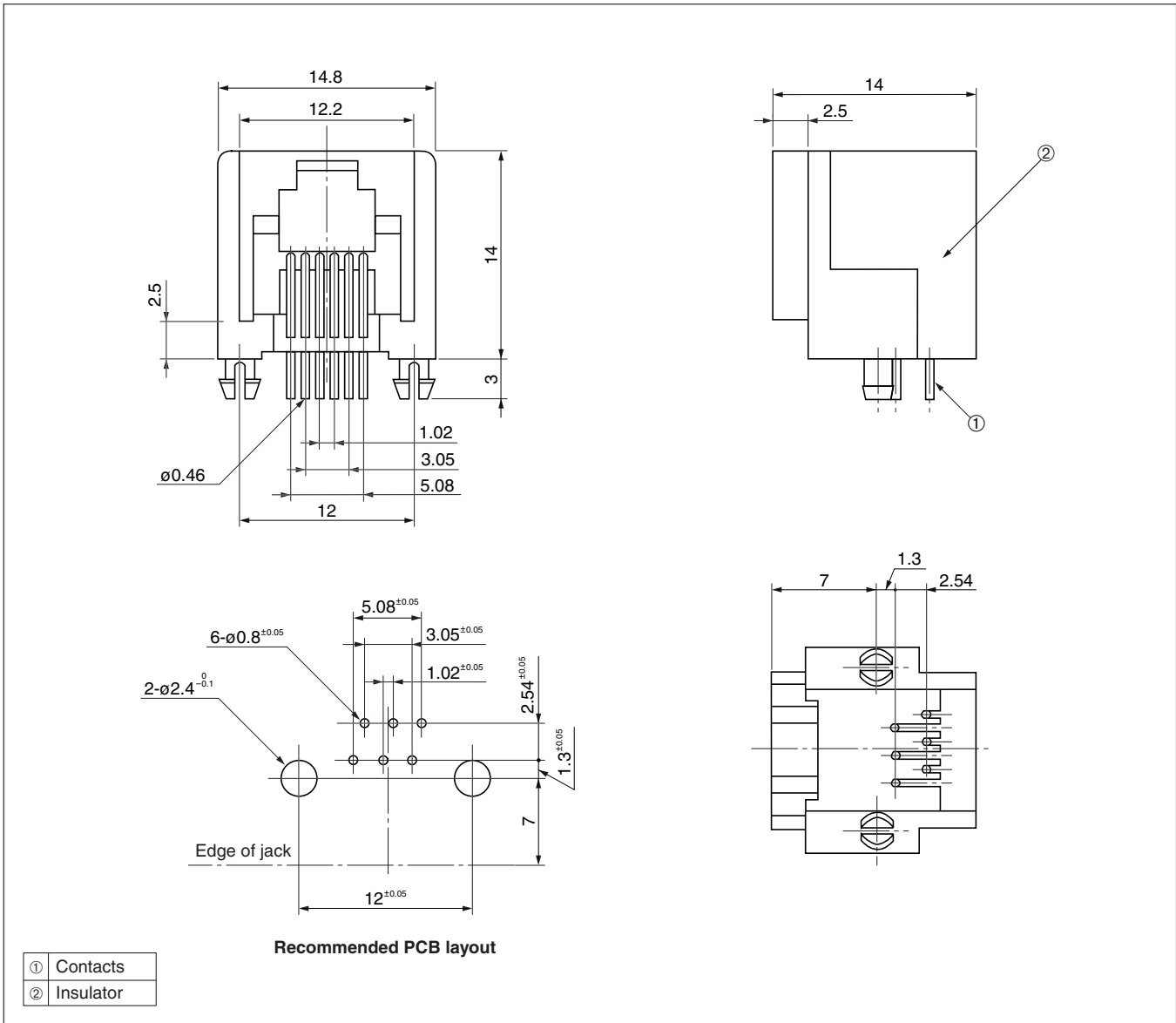


● Configuration of product Part No.

MOD- J 6 () DA () B+

① ② ③ ④ ⑤ ⑥

- | | |
|--------------------------------|-------------------------------|
| ① Series name | ⑤ Type of contact |
| ② Jack | Right-angle through hole type |
| ③ Opening size: For 6 contacts | ⑥ Contact plating |
| ④ No. of contacts | 03: Min. 0.3 μm Gold plate |
| 2: 6-2 Jack | 10: Min. 1.0 μm Gold plate |
| 4: 6-4 Jack | |
| 6: 6-6 Jack | |



Mating connectors: 6-2, 6-4, 6-6 modular plug

Accessory: Cap: MOD-6C()