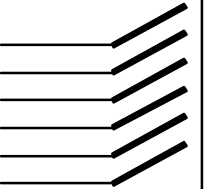


FOR REFERENCE ONLY

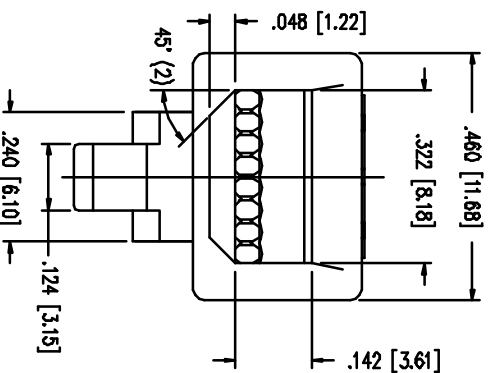
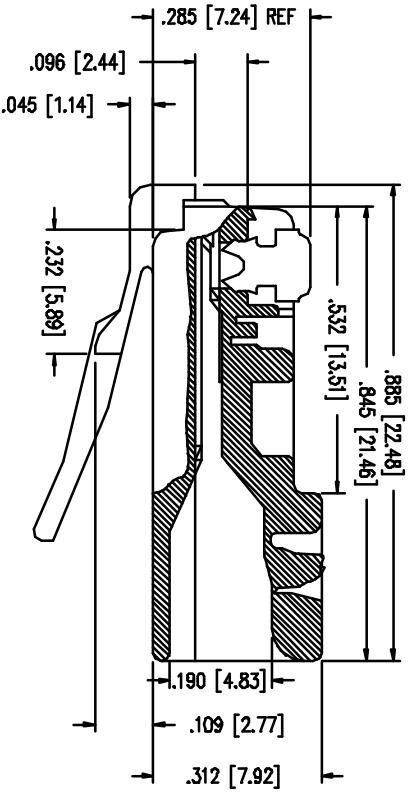
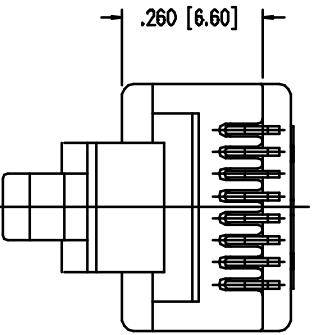
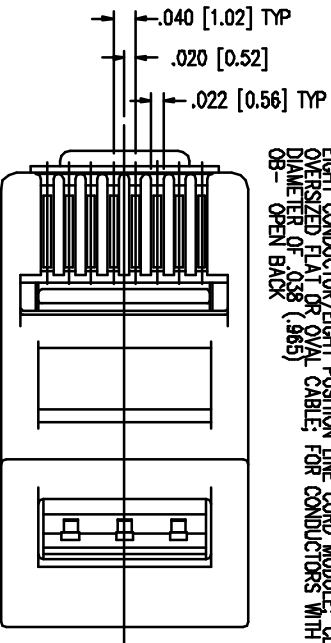


**STEWART
CONNECTOR
SYSTEMS, INC.**

R.D. 2, BOX 2020 GLEN ROCK, PENNSYLVANIA 17327

PART NO.: 849-SF-014-3088-08

EIGHT CONDUCTOR/EIGHT POSITION LINE CORD MODULE. CLEAR FOR OVERSIZED FLAT OR OVAL CABLE; FOR CONDUCTORS WITH MAX. OUTSIDE DIAMETER OF .038 (.965) OS - OPEN BACK



**SPECIFICATIONS OF STEWART CONNECTOR'S
MODULAR PLUGS**

CONTACT MATERIAL: 8% PHOSPHOR BRONZE
 CONTACT PLATING: 14 MICRO-INCH (0.36 MICRON) SELECTIVE 24 CARAT HARD GOLD PLATE IN CONTACT AREA OVER 50 TO 100 MICRO-INCH (1.27 TO 2.54 MICRON) NICKEL PLATE PER CURRENT SELECTIVE GOLD PLATING REQUIREMENTS. POLYCARBONATE
 PLUG MATERIAL: ± .005 (+0.127MM)
 PLUG TOLERANCES: 94-V0 (UL RECOGNIZED-FILE NO. E13240B (N))
 FLAME AUTO EXTINGUISH

OPERATING TEMPERATURE: -40°C TO +125°C
 INSERTION/EXTRACTION LIFE: 1000 CYCLES (USING STEWART CONNECTOR JACKS)
 CONTACT RESISTANCE: 10 MILLIOHMS MAX (USING STEWART CONNECTOR JACKS)
 CURRENT/VOLTAGE: 30 VAC/42 VDC AT 15 AMPS
 AT 1 (DEFENSE AND APPROVED COMPLES WITH F.C.C. REQUIREMENTS