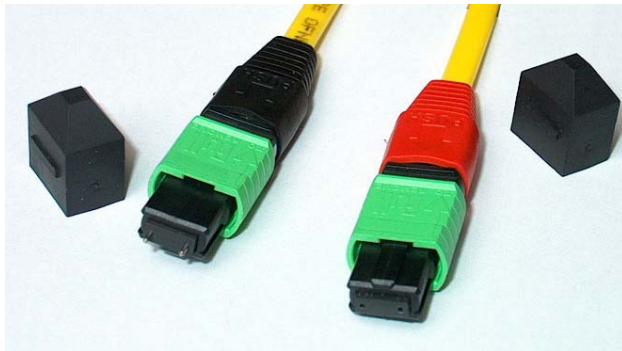


MPO (MTP) Patchcord

Description:

The MPO is connector manufactured specifically for multi-fiber ribbon cable. Connection integrity is provided by the spring action side latch housing and alignment is achieved with high precision guide pins. The housing are colored-coded to differentiate singlemode and multimode. Removable housing allow for quick change of pin clamps, ferrule cleaning or connector repolishing.



Features:

- Available SM (angled) and MM (flat) performance
- Push-on / Pull-off latching connector
- Easy connection and disconnection
- No need for matching material
- Fiber protrusion
- Low Insertion loss & Reflection
- Simple & Low cost
- IEC61754-7, TIA/EIA 604-5

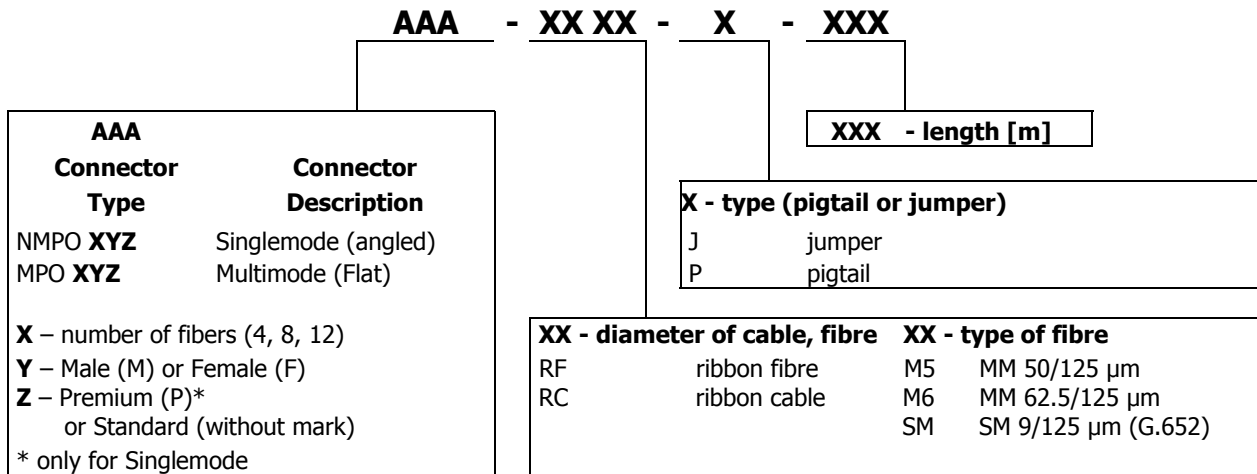
Application:

- Patch cord : Bare fiber ribbon type and Ruggedized type
- Fan-out cord with single fiber connectors
- MPO connector kit

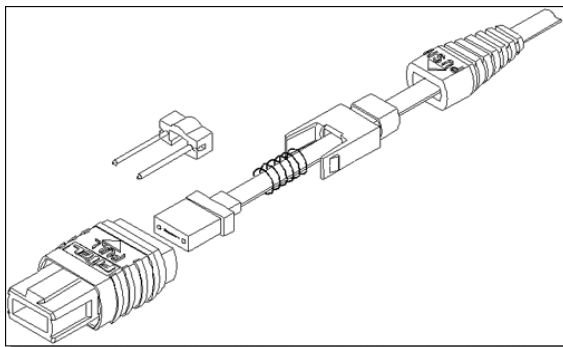
Specifications:

	Singlemode (angled)	Multimode (flat)
Insertion Loss	≤ 0.35 dB Premium ≤ 0.75 dB Standard	≤ 0.5 dB
Optical Return Loss	> 60 dB	> 35 dB
Operating Temperature	-40°C to +80°C	-40°C to +80°C
Durability	< 0,3 dB change (per EIA-455-21A) 500 remates	< 0,2 dB change (per EIA-455-21A) 1000 remates

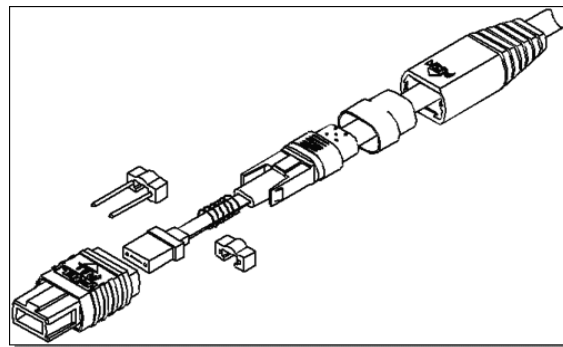
Ordering code:



MPO Connectors:



MPO Connector kit for bare-ribbon type



MPO Connector kit for ruggedized type

Sample:

NMPO 12M-NMPO 12F-RC SM-J-004.5

