

**Right-angle SMT type modular jack for PCB**  
**MOD-J88YA02E+**

**Modular connector**

**For PCB**

**Right-angle SMT**

**ISO 10173**

RoHS

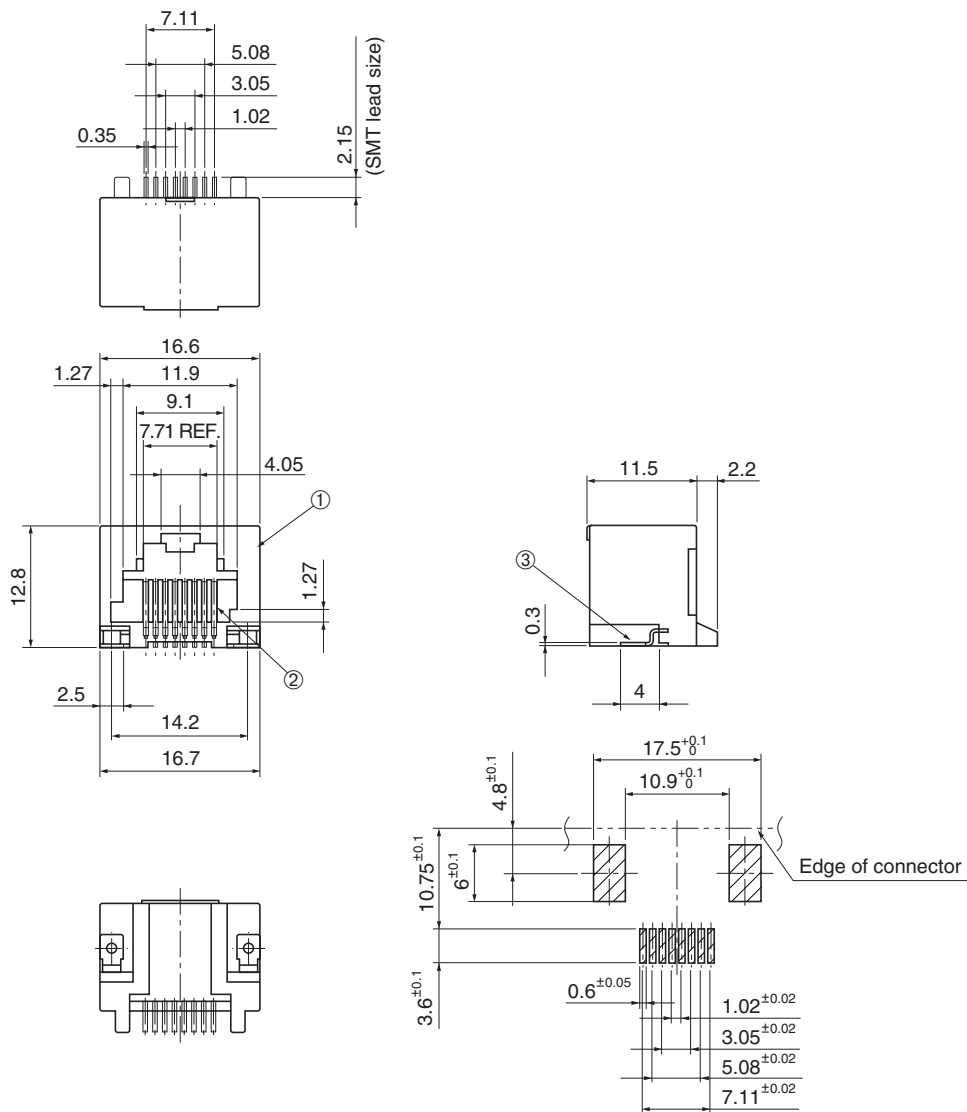


● Configuration of product Part No.

**MOD- J88 YA 02 E+**

①      ②      ③      ④

- ① Series name
- ② 8-8 Jack (ISO 10173)
- ③ Type of contact  
Right-angle SMT type
- ④ Contact plating:  
Min. 0.2 μm Gold plate



● Components

①	Insulator
②	Contacts
③	Hold down

Recommended PCB layout

Mating connectors: 8-8 modular plug (ISO 10173)