



# NP Series Sealed Industrial Pushbutton Switch **NEW!**

Pushbutton  
A

## Features/Benefits

- IP68 sealed
- 1,000,000 life cycle
- Multiple housing styles
- Capable of up to 5A resistive load
- Wirelead options available
- RoHS compliant

## Typical Applications

- Harsh environments
- Off-Road
- Industrial
- Transportation
- Military



## Specifications

FUNCTION: SPDT Double Break (Form Z) Momentary  
 CONTACT ARRANGEMENT: N.O. and N.C.  
 MOUNTING TYPE: Threaded front or rear mount and slot mount

## Mechanical

OPERATING LIFE: 1,000,000 cycles  
 TOTAL TRAVEL: 1.6 ± 0.15 mm  
 OPERATING POINT 0.9 ± 0.25 mm  
 OVER TRAVEL: 0.45 min.  
 OPERATING FORCE: 8N ± 1N  
 VIBRATION: 10-500 Hz 10g Max  
 SHOCK: 50g 11ms sawtooth wave

## Electrical

CONTACT RATING:  
 Option G - Gold over Silver  
 10mA/5 VDC (1,000,000 cycles)  
 Option Q - Silver  
 1A/28 VDC resistive (1,000,000 cycles)  
 5A/28 VDC resistive (25,000 cycles)  
 3A/28 VDC inductive (25,000 cycles)  
 DIELECTRIC STRENGTH: 1000 V AC for 1 min.  
 INSULATION RESISTANCE: 1 G Ω @ 500 VDC  
 INITIAL CONTACT RESISTANCE 50 mΩ max (without wire leads)  
 BOUNCE TIME: <5 ms

## Materials

HOUSING: 6061-T6 Aluminum, black or clear anodized  
 BASE: PBT  
 CAP: PBT  
 ACTUATOR: PBT  
 INTERNAL SEAL: Silicone rubber  
 TERMINALS: Copper with silver nickel inlay, silver plating  
 MOVABLE CONTACT: Copper alloy, gold over silver plating  
 TERMINAL SEAL: Epoxy

## Operating Environment

OPERATING TEMPERATURE: -55°C to +105°C  
 ESD PROTECTION: 15KV min.

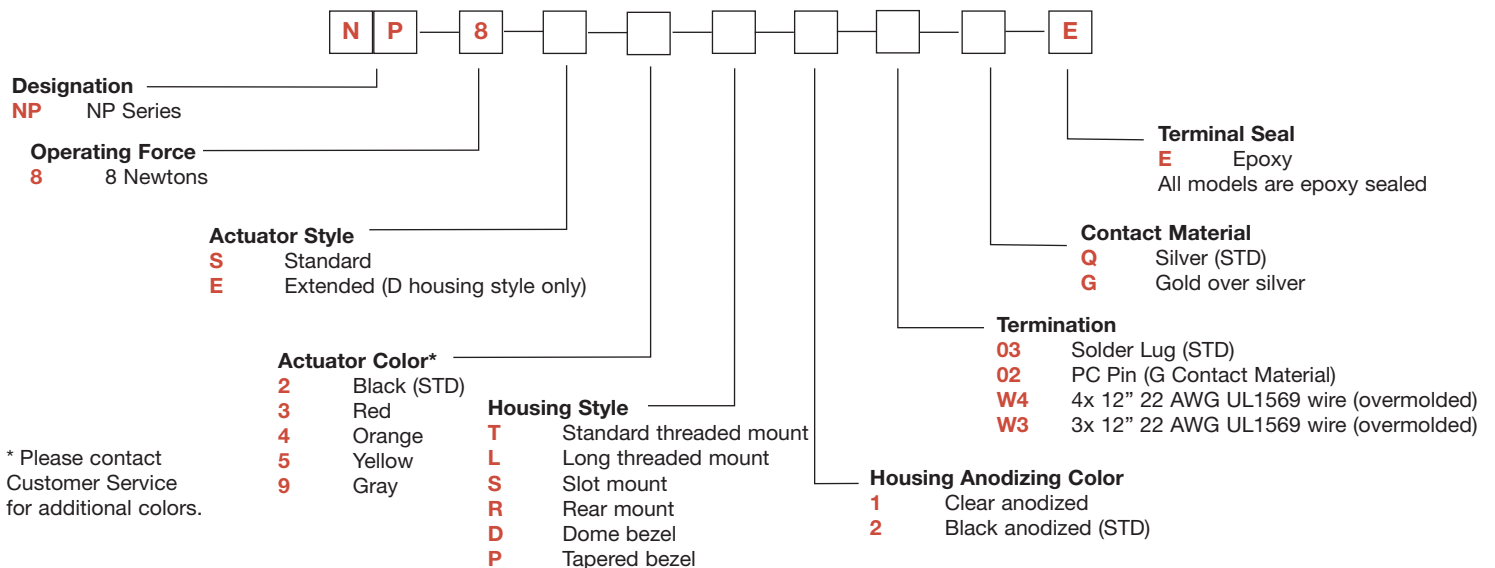
## Process Environment

SEALING: IP68

**NOTE:** Specifications and materials listed above are for switches with standard options. For information on specific and custom switches, please contact Customer Service.

## Build-A-Switch

To order, simply select desired option from each category and place in the appropriate box.



Specifications and dimensions subject to change

**NEW!**

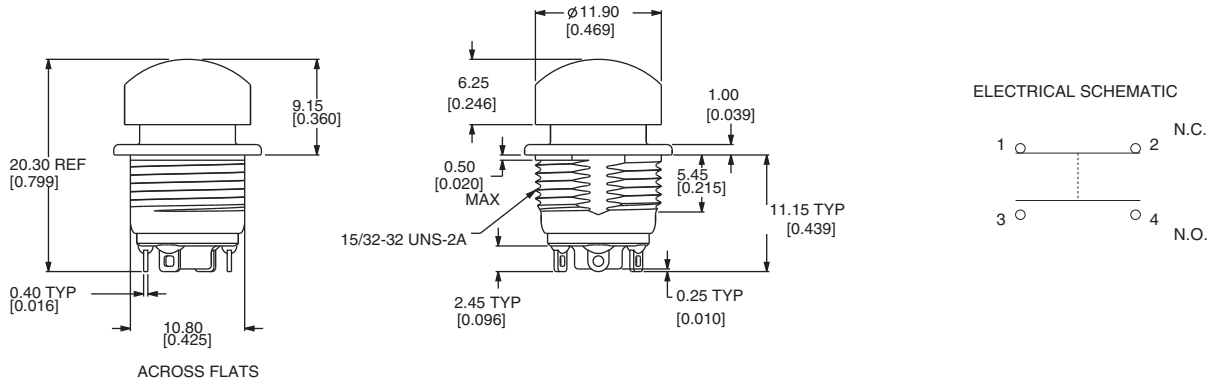
# NP Series Sealed Industrial Pushbutton Switch



**A**

Pushbutton

## STANDARD VIEW



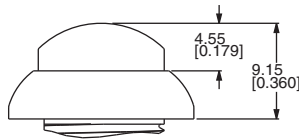
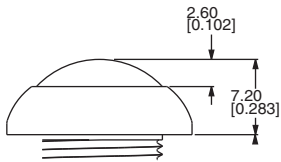
## OPERATING FORCE

OPTION CODE	OPERATING FORCE
<b>8</b>	8 N

## ACTUATOR STYLE

**S** STANDARD

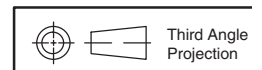
**E** EXTENDED (D HOUSING STYLE ONLY)



## ACTUATOR COLOR

OPTION CODE	ACTUATOR COLOR
<b>2</b>	Black
<b>3</b>	Red
<b>4</b>	Orange
<b>5</b>	Yellow
<b>9</b>	Gray

For additional colors please contact Customer Service.



Dimensions are shown: Inches (mm)  
 Specifications and dimensions subject to change



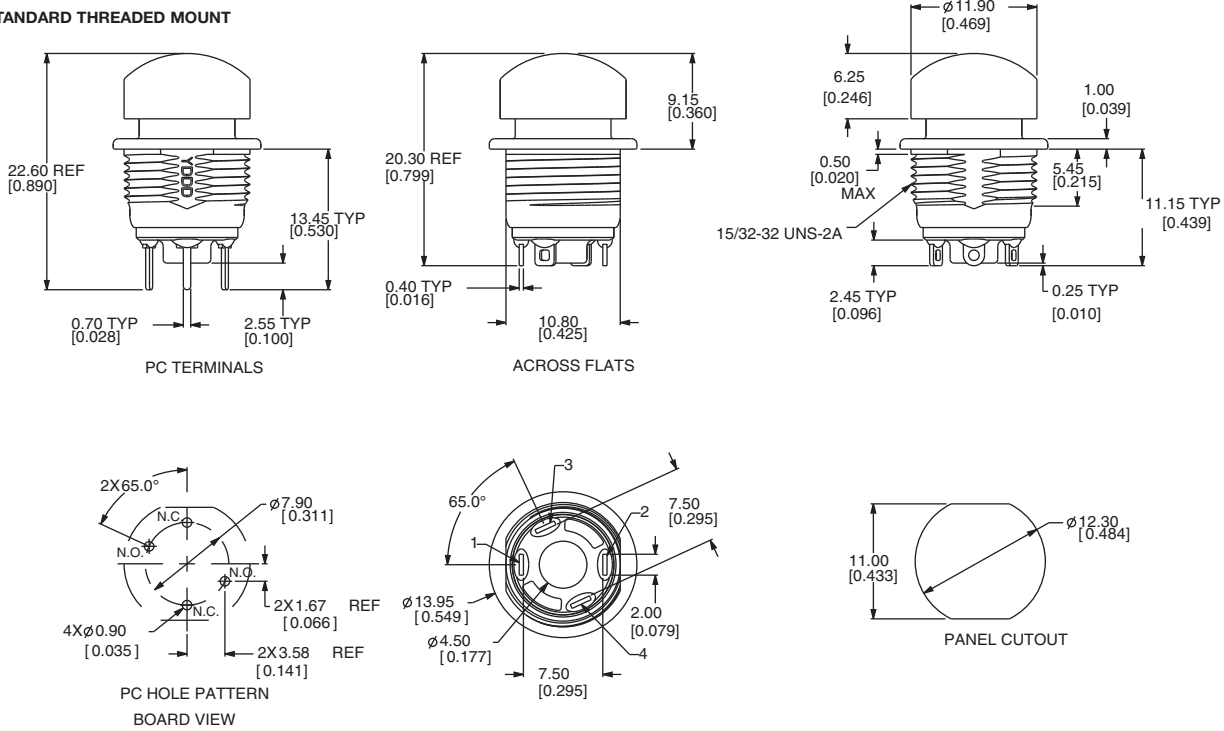
# NP Series Sealed Industrial Pushbutton Switch **NEW!**

## HOUSING STYLE

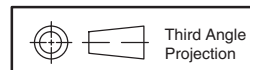
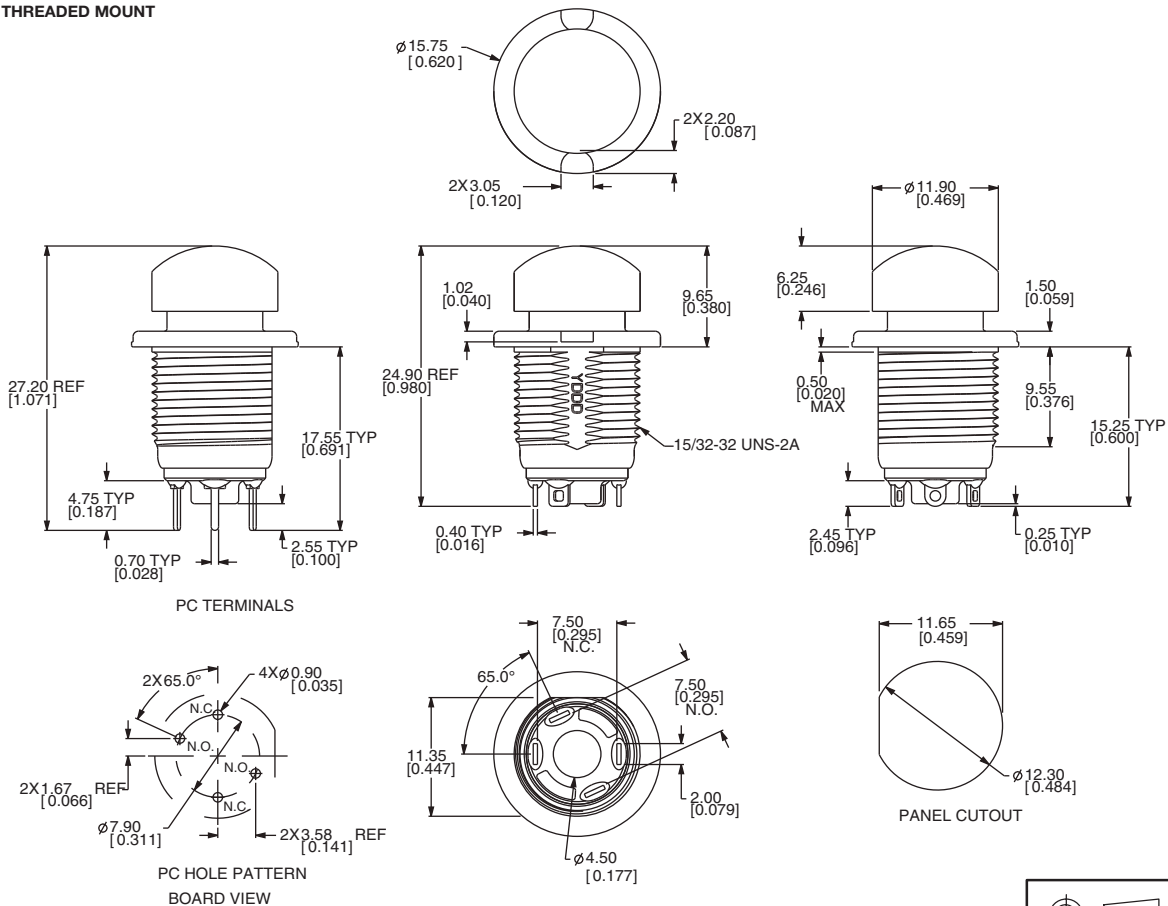
Pushbutton

A

### T STANDARD THREADED MOUNT



### L LONG THREADED MOUNT



Dimensions are shown: Inches (mm)  
 Specifications and dimensions subject to change

**NEW!**

# NP Series Sealed Industrial Pushbutton Switch

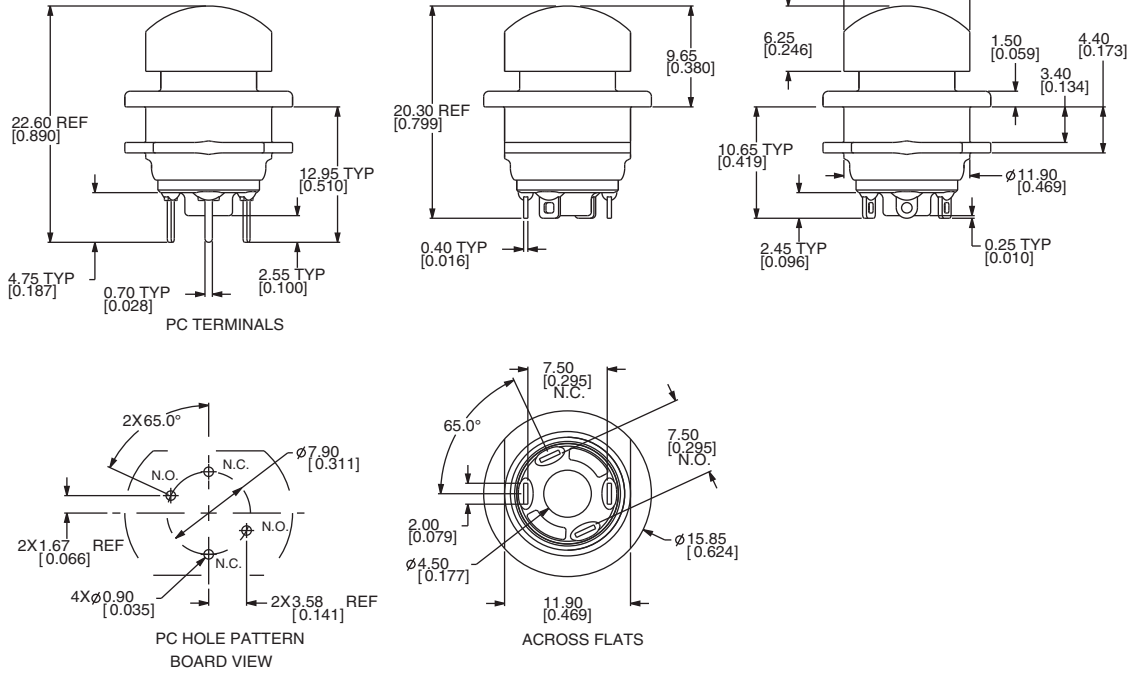


**A**

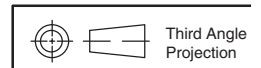
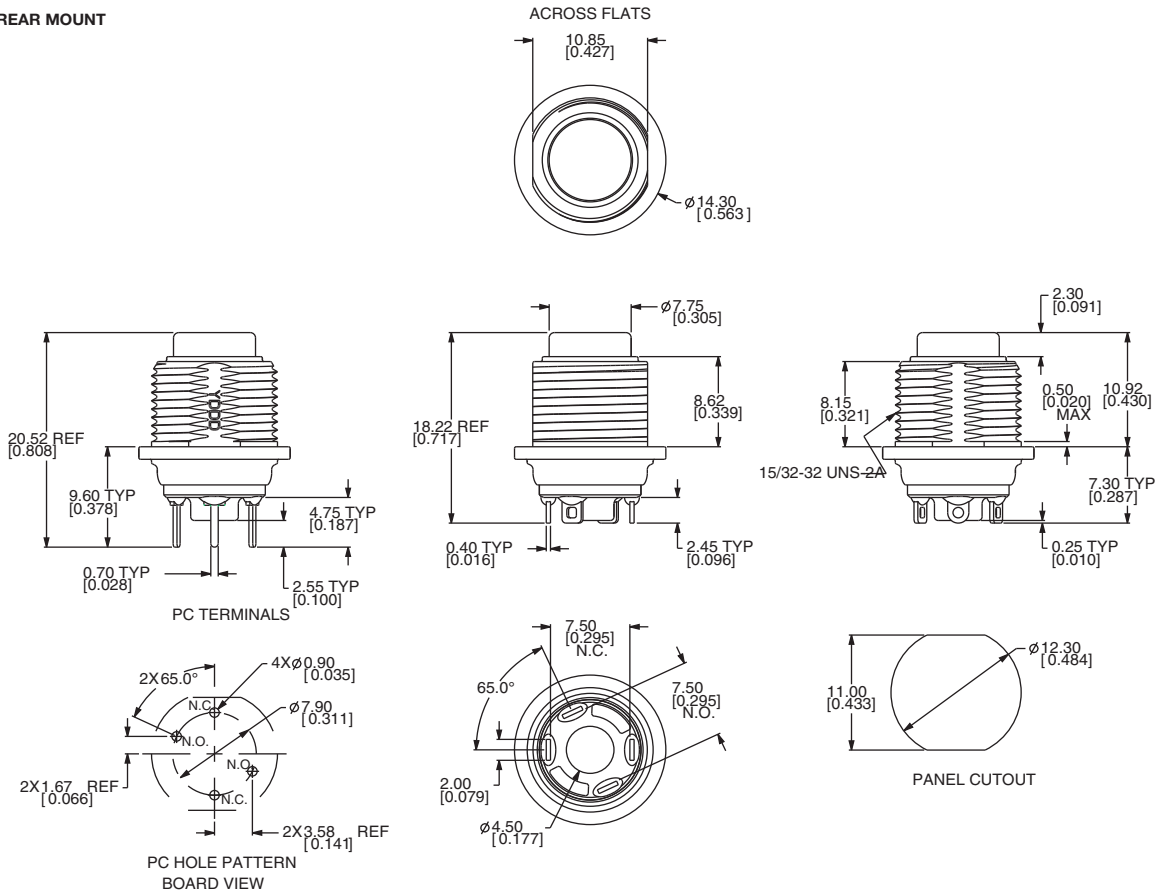
Pushbutton

## HOUSING STYLE

### S SLOT MOUNT



### R REAR MOUNT



Dimensions are shown: Inches (mm)  
Specifications and dimensions subject to change

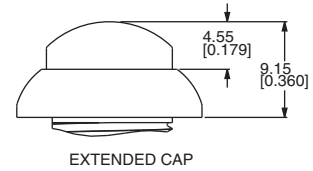
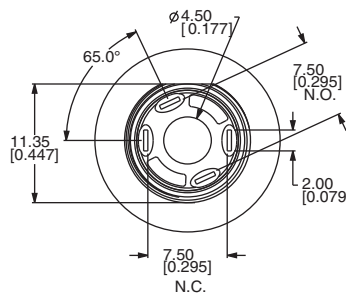
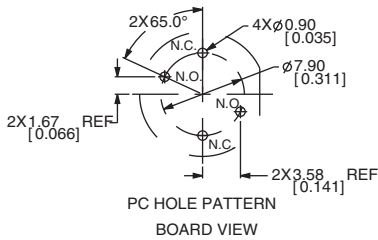
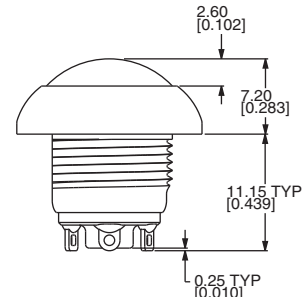
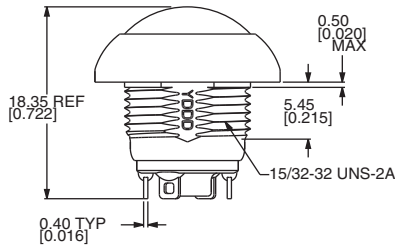
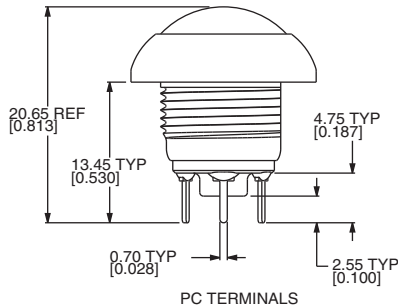
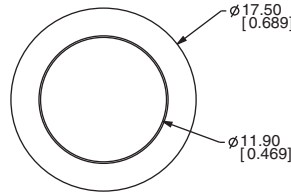
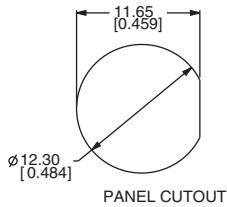


# NP Series Sealed Industrial Pushbutton Switch **NEW!**

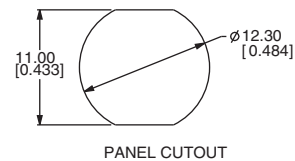
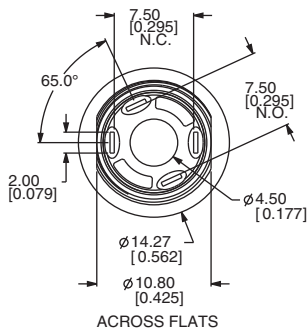
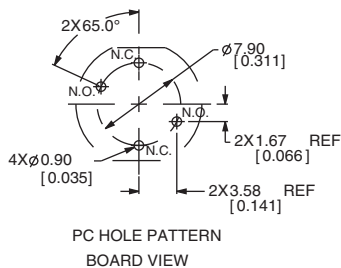
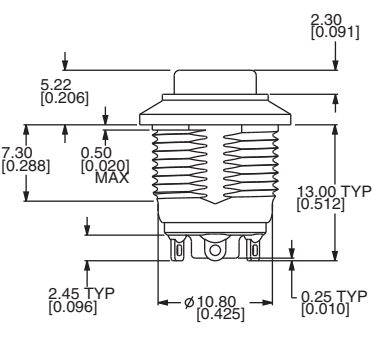
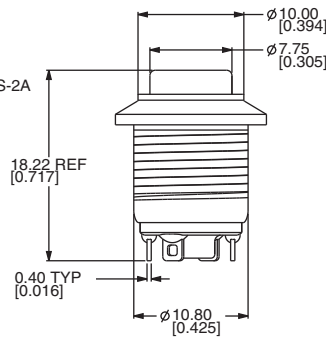
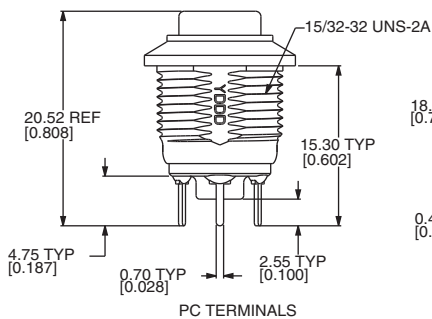
## HOUSING STYLE

Pushbutton  
**A**

### D DOME BEZEL



### P TAPERED BEZEL



Dimensions are shown: Inches (mm)  
Specifications and dimensions subject to change

**NEW!**

# NP Series Sealed Industrial Pushbutton Switch



**A**

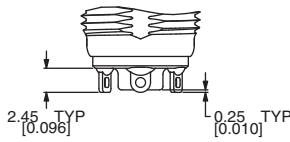
Pushbutton

## HOUSING ANODIZING COLOR

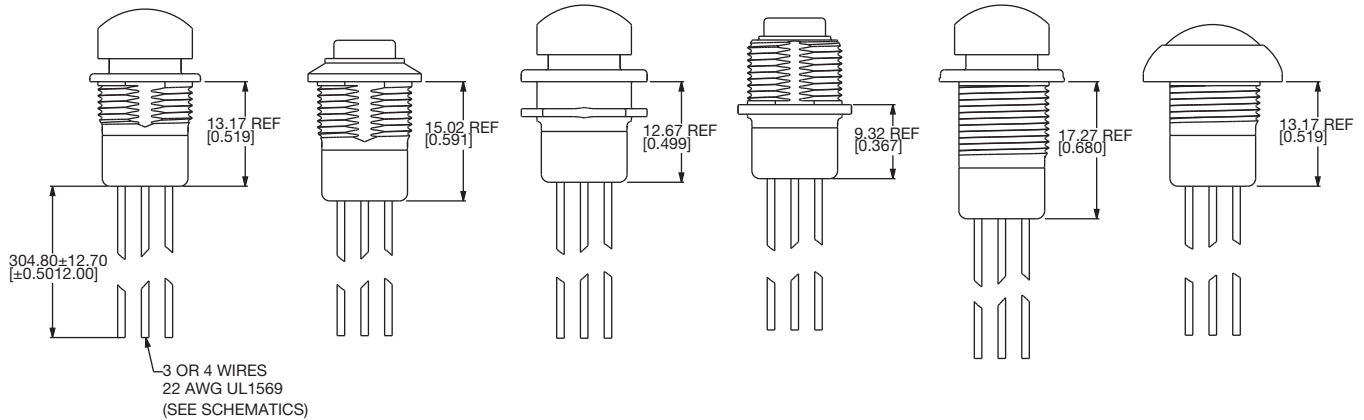
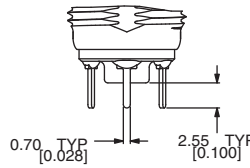
OPTION CODE	ANODIZING COLOR
<b>1</b>	Clear anodized
<b>2</b>	Black anodized (STD)

## TERMINATION

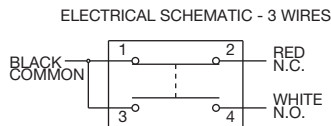
### 03 SOLDER LUG (STD)



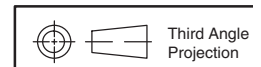
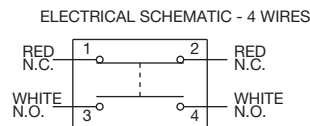
### 02 PC PIN (G CONTACT MATERIAL)



### W3 3X 12" 22 AWG UL1569 WIRE (OVERMOLDED)



### W4 4X 12" 22 AWG UL1569 WIRE (OVERMOLDED)



Dimensions are shown: Inches (mm)  
Specifications and dimensions subject to change



# NP Series Sealed Industrial Pushbutton Switch **NEW!**

Pushbutton  
A

## CONTACT MATERIAL

OPTION CODE	CONTACT MATERIAL
<b>Q</b>	Silver (STD)
<b>G</b>	Gold over Silver

## TERMINAL SEAL

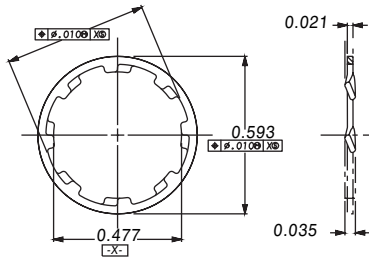
### **E** EPOXY

All models are epoxy sealed

## HARDWARE

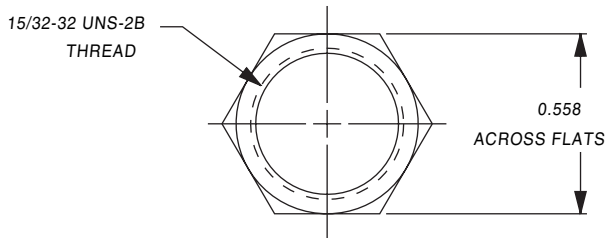
### LOCKWASHER

700302202



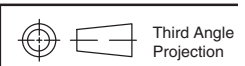
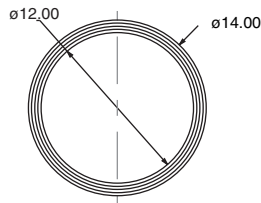
### HEX NUT

- 707100A56 Black
- 707100201 Nickel-plated
- 707100215 Satin Chrome



### PANEL GASKET

851D000000



Third Angle  
Projection



Dimensions are shown: Inches (mm)  
Specifications and dimensions subject to change