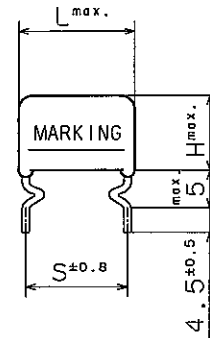


THIRD ANGLE PROJECTION

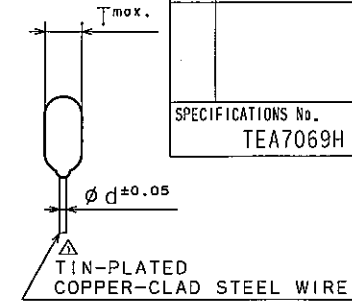
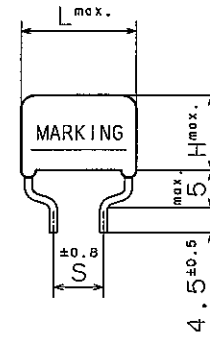
ITEM CODE	RATED VOLTAGE	CAP. μ F (*)	DIMENSIONS						MARKING STYLE	FORMING TYPE
			L	T	H	S	d			
ECQE1A103()FB	125VAC	0.01 (103)	10.5	4.5	7.5	7.5	0.6	1	D	
# 1A123()FB	#	0.012(123)	#	4.4	#	#	#	#	#	
# 1A153()FB	#	0.015(153)	#	#	#	#	#	#	#	
# 1A183()FB	#	0.018(183)	#	#	#	#	#	#	#	
# 1A223()FB	#	0.022(223)	#	#	#	#	#	#	#	
# 1A273()FB	#	0.027(273)	#	#	#	#	#	#	#	
# 1A333()FB	#	0.033(333)	#	4.5	7.8	#	#	#	#	
# 1A393()FB	#	0.039(393)	#	#	#	#	#	#	#	
# 1A473()FB	#	0.047(473)	#	5.5	8.0	#	#	#	#	
# 1A563()FB	#	0.056(563)	#	5.9	8.5	#	#	#	#	
# 1A683()FB	#	0.068(683)	#	6.3	9.4	#	#	#	#	
# 1A823()FB	#	0.082(823)	#	6.5	9.8	#	#	#	#	
# 1A104()FB	#	0.1 (104)	#	#	11.8	#	#	#	#	
# 1A124()FB	#	0.12 (124)	12.5	5.9	11.5	10.0	#	#	#	
# 1A154()FB	#	0.15 (154)	#	6.5	12.0	#	#	#	#	
# 1A184()FB	#	0.18 (184)	#	7.0	12.5	#	#	#	#	
# 1A224()FB	#	0.22 (224)	#	7.5	13.4	#	#	#	#	
# 1A274()FB	#	0.27 (274)	18.5	6.3	12.0	#	#	2	B	
# 1A334()FB	#	0.33 (334)	#	6.9	12.5	#	#	#	#	
# 1A394()FB	#	0.39 (394)	#	7.4	13.0	#	#	#	#	
# 1A474()FB	#	0.47 (474)	#	7.5	15.3	#	#	#	#	

TOL. SYMBOL (J or K or M)

TYPE D



TYPE B

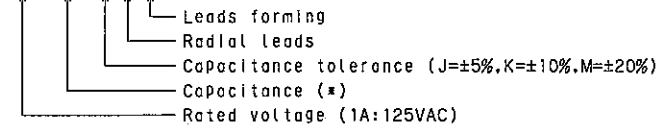


SPECIFICATIONS No. TEA7069H

ALTERATION		
ISSUE	DESCRIPTION	DATE
△	Overall rewriting Modification	Dec.17 2001
△	Company name changed	Oct. 1 2004
△	Company name changed	APR. 1 2005

ITEM CODE NUMBER STRUCTURE

ECQE 1A 103 K F B (125VAC, 0.01 μ F, \pm 10%)



Reference

DESIGN	E. Takeda
CHECKED	M. Nishikawa
APPROVAL	M. Nagasaka
ESTABLISHMENT	Nov.22.1988
TYPE NAME	ECQE1A***()FB
NAME	Metallized Polyester Film Capacitor
DRAWING NAME	PRODUCT DRAWING
DRAWING No.	CT-H-820E (1/1)

CONSTRUCTION

The capacitor is of non-inductive construction, wound with metallized polyester film dielectric.
The capacitor is enclosed in non-combustible epoxy resin and has two leads.

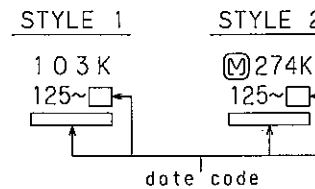
MARKING

Marking comprises capacitance, capacitance tolerance, rated voltage, manufacturer's trademark(STYLE 2 only) and date code.

PROPERTIES

Capacitance :See table at 1kHz
 Capacitance tolerance : \pm 5%(J), \pm 10%(K), \pm 20%(M) at 1kHz
 Rated voltage :125VAC
 Withstand voltage(terminal-terminal) :125VAC \times 230% for 60s
 (terminal-enclosure) :1500VAC for 60s
 Insulation resistance : \geq 2000M Ω at 500VDC, 20 $^{\circ}$ C for 60s
 Dissipation factor : \leq 1.0% at 1kHz, 20 $^{\circ}$ C
 Category temperature range :From -40 $^{\circ}$ C to +85 $^{\circ}$ C
 (Including temperature rise on unit surface)

MARKING EXAMPLE



Panasonic

Electronic Circuit Capacitor Business Unit,
Panasonic Electronic Devices Co., Ltd.