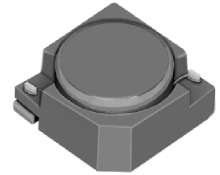
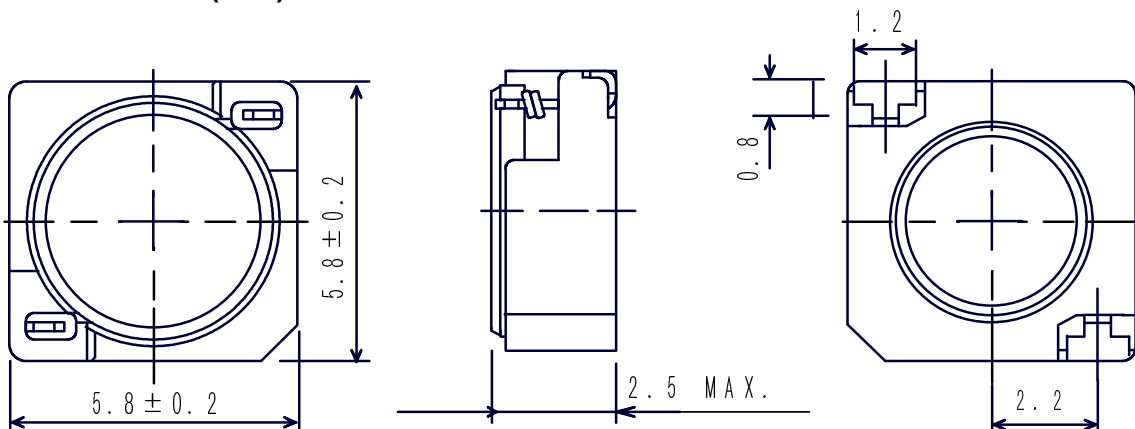
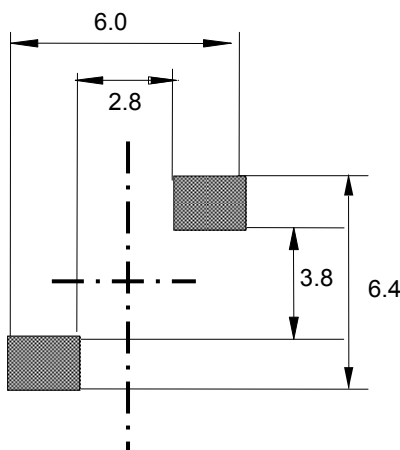


**Type: CDC5D23B**

**◆ Product Description**

- 6.0×6.0mm Max.(L×W), 2.5mm Max. Height.
- Inductance range: 2.2  $\mu$  H~270  $\mu$  H
- Rated current range:0.19~2.16A
- In addition to the standard versions of inductors shown here, custom inductors are available to meet your exact requirements.

**◆ Feature**

- Magnetically unshielded construction.
- Ideally used in EL drive as EL lamp inverter inductors.
- RoHS Compliance and Halogen Free.

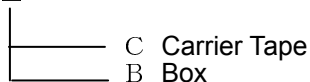
**◆ Dimensions (mm)**

**◆ Land Pattern (mm)**


**Type: CDC5D23B**
**◆ Specification**

Part Name ※	Stamp	Inductance ( $\mu$ H) [Within] 100kHz	D.C.R. (m $\Omega$ ) Max.(Typ.) (at20°C)	Rated current (A)※1
CDC5D23BNP-2R2M□	2R2	2.2 $\mu$ H $\pm$ 20%	39 (30)	2.16
CDC5D23BNP-2R7M□	2R7	2.7 $\mu$ H $\pm$ 20%	44 (34)	2.08
CDC5D23BNP-3R3M□	3R3	3.3 $\mu$ H $\pm$ 20%	49 (38)	1.90
CDC5D23BNP-3R9M□	3R9	3.9 $\mu$ H $\pm$ 20%	56 (43)	1.84
CDC5D23BNP-4R7M□	4R7	4.7 $\mu$ H $\pm$ 20%	62 (48)	1.60
CDC5D23BNP-5R6M□	5R6	5.6 $\mu$ H $\pm$ 20%	78 (60)	1.44
CDC5D23BNP-6R8M□	6R8	6.8 $\mu$ H $\pm$ 20%	91 (70)	1.36
CDC5D23BNP-8R2M□	8R2	8.2 $\mu$ H $\pm$ 20%	103(87)	1.12
CDC5D23BNP-100L□	100	10 $\mu$ H $\pm$ 15%	133(102)	1.04
CDC5D23BNP-120L□	120	12 $\mu$ H $\pm$ 15%	148(114)	0.96
CDC5D23BNP-150K□	150	15 $\mu$ H $\pm$ 10%	166(128)	0.88
CDC5D23BNP-180K□	180	18 $\mu$ H $\pm$ 10%	213(164)	0.77
CDC5D23BNP-220K□	220	22 $\mu$ H $\pm$ 10%	248(191)	0.73
CDC5D23BNP-270K□	270	27 $\mu$ H $\pm$ 10%	328(252)	0.64
CDC5D23BNP-330K□	330	33 $\mu$ H $\pm$ 10%	378(291)	0.58
CDC5D23BNP-390K□	390	39 $\mu$ H $\pm$ 10%	438(337)	0.54
CDC5D23BNP-470K□	470	47 $\mu$ H $\pm$ 10%	546(420)	0.49
CDC5D23BNP-560K□	560	56 $\mu$ H $\pm$ 10%	621(478)	0.45
CDC5D23BNP-680K□	680	68 $\mu$ H $\pm$ 10%	715(550)	0.41
CDC5D23BNP-820K□	820	82 $\mu$ H $\pm$ 10%	1000(772)	0.35
CDC5D23BNP-101K□	101	100 $\mu$ H $\pm$ 10%	1070(820)	0.33
CDC5D23BNP-121K□	121	120 $\mu$ H $\pm$ 10%	1250(960)	0.32
CDC5D23BNP-151K□	151	150 $\mu$ H $\pm$ 10%	1660(1280)	0.26
CDC5D23BNP-181K□	181	180 $\mu$ H $\pm$ 10%	1900(1460)	0.23
CDC5D23BNP-221K□	221	220 $\mu$ H $\pm$ 10%	2440(1880)	0.21
CDC5D23BNP-271K□	271	270 $\mu$ H $\pm$ 10%	2730(2100)	0.19

**※ Description of part name**

CDC5D23BNP-2R2M□



※1 Rated current: The DC current at which the inductance decreases to 90 % of it's initial value or when  $\Delta t=40^{\circ}\text{C}$ , whichever is lower( $T_a=20^{\circ}\text{C}$ ).